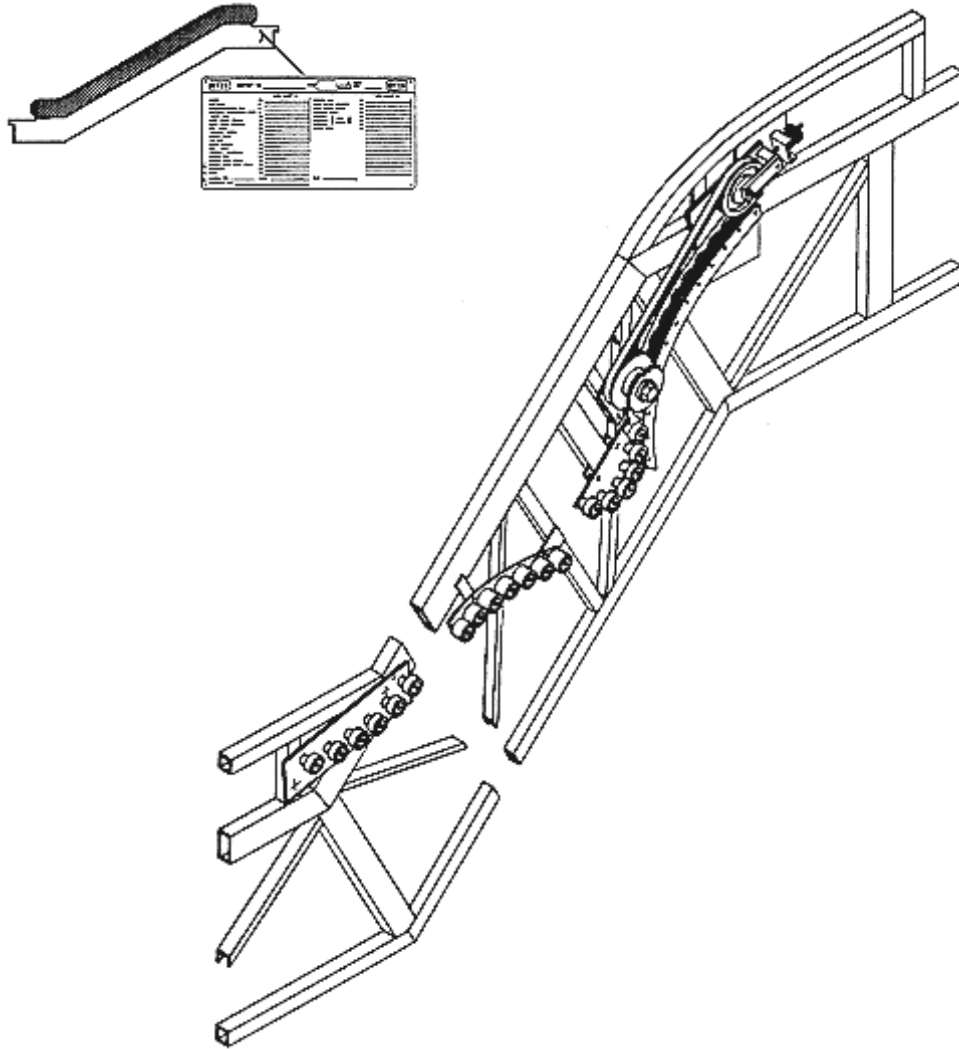


SPL 55-9703AW - Escalator 506 Handrail Drive

Unpublished Work - © Otis Elevator Company. Any unauthorized reproduction, disclosure, or distribution of copies or content by any person of any portion of this work may be a violation of Copyright Law of the United States of America. All rights reserved.

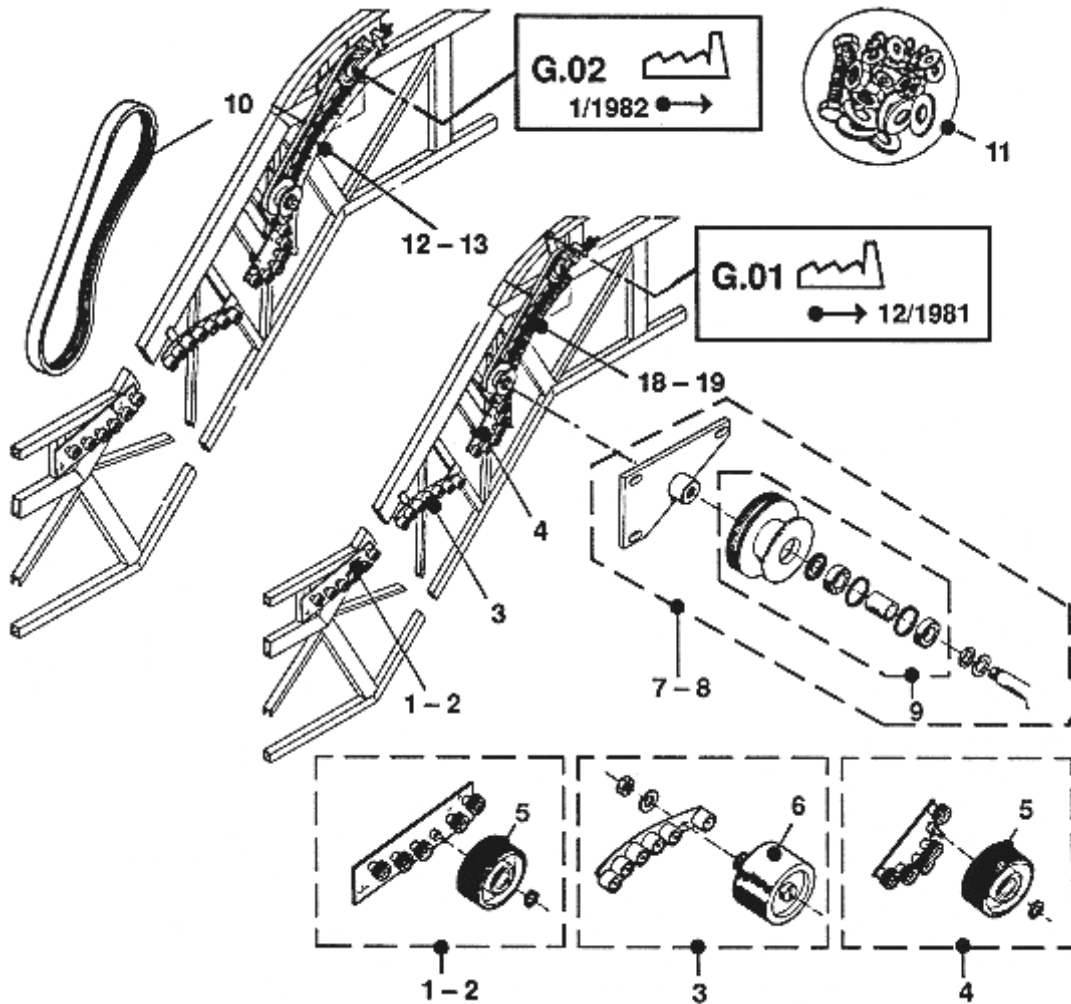
July 1994

Page 1



SPL 55-9703AW - Escalator 506 Handrail Drive

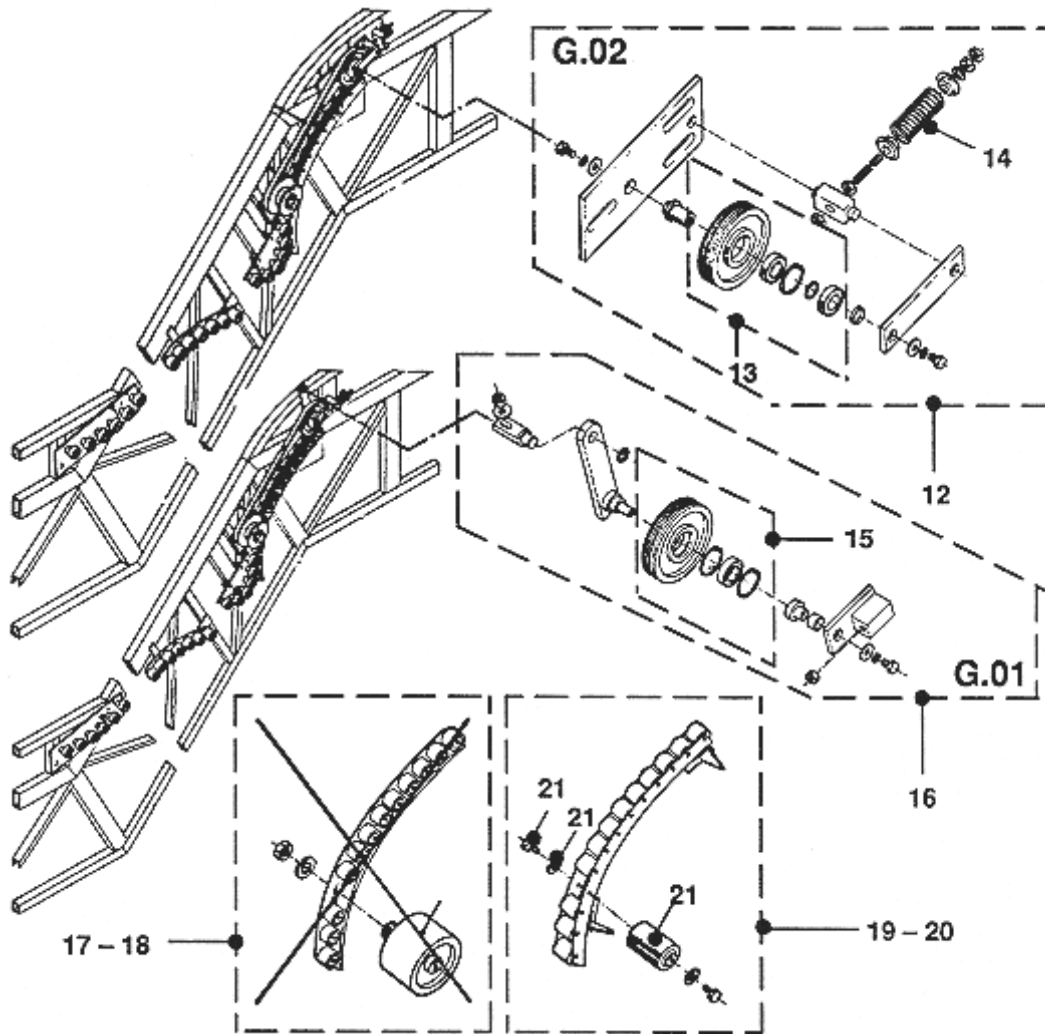
Page 2



VINTAGE G.01 & G.02		
REF.NO.	PART OR ML	DESCRIPTION
1	GO9703AJ3	Roller bow w/o Hardware for fastening As shown on picture Left hand
2	GO9703AJ4	Roller bow w/o Hardware for fastening Right hand
3	GO9703AD2	Roller bow w/o Hardware for fastening
4	GO9703AF2	Tension roller bow
5	GO2215AB10	Roller (GXX 456 DS 501 → GAA 456 CM 2)
6	GO2215AB7	Roller (GX 456 At 501 → GAA 456 CD 2)
7	GO9703AA3	Driving sheave w/o Hardware for fastening As shown on picture Left hand
8	GO9703AA4	Driving sheave w/o Hardware for fastening Right hand
9	GO2215AB20 *	Sheave With bearing
10	GO717A1	
	GOA717A1 *	Belt
11	GO2215AB22	Hardware for fastening for REF.NO. 1-8,12,13,15

SPL 55-9703AW - Escalator 506 Handrail Drive

Page 3



VINTAGE			
REF.NO.	G.01 PART OR ML	G.02 PART OR ML	DESCRIPTION
12		GO9703BA2	Tension roller
13		GO2215AB37 *	Roller With bearing - 2 bearings!
14		-----	Spring 10 x 50 x 110 DIN 2098 - 126516
15	GO2215AB21 *		Roller With bearing - 1 bearing 1
16	GO9703AB2		Tension roller
17	GO9703AE3		See Also REF.NO. 19
18	GO9703AE4		See Also REF.NO. 20
19	GO9703BB3		Roller bow w/o Hardware for fastening As shown on picture Left hand
20	GO9703BB4		Roller bow w/o Hardware for fastening Right hand
21	GO2215AB29		Roller w Hardware for fastening