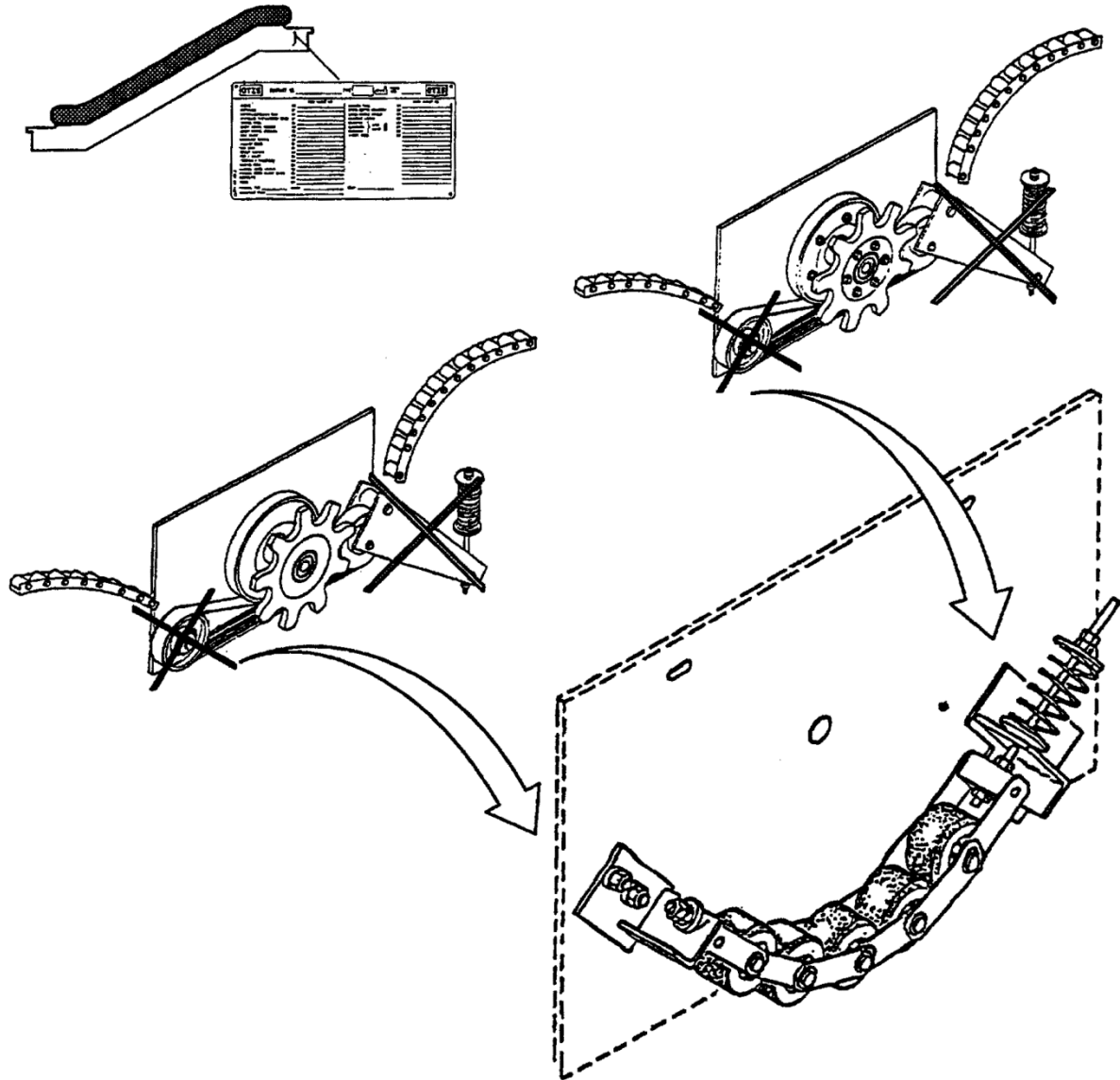


Escalator 510 2nd Handrail Drive

Spare Parts Leaflet

55-9704GB

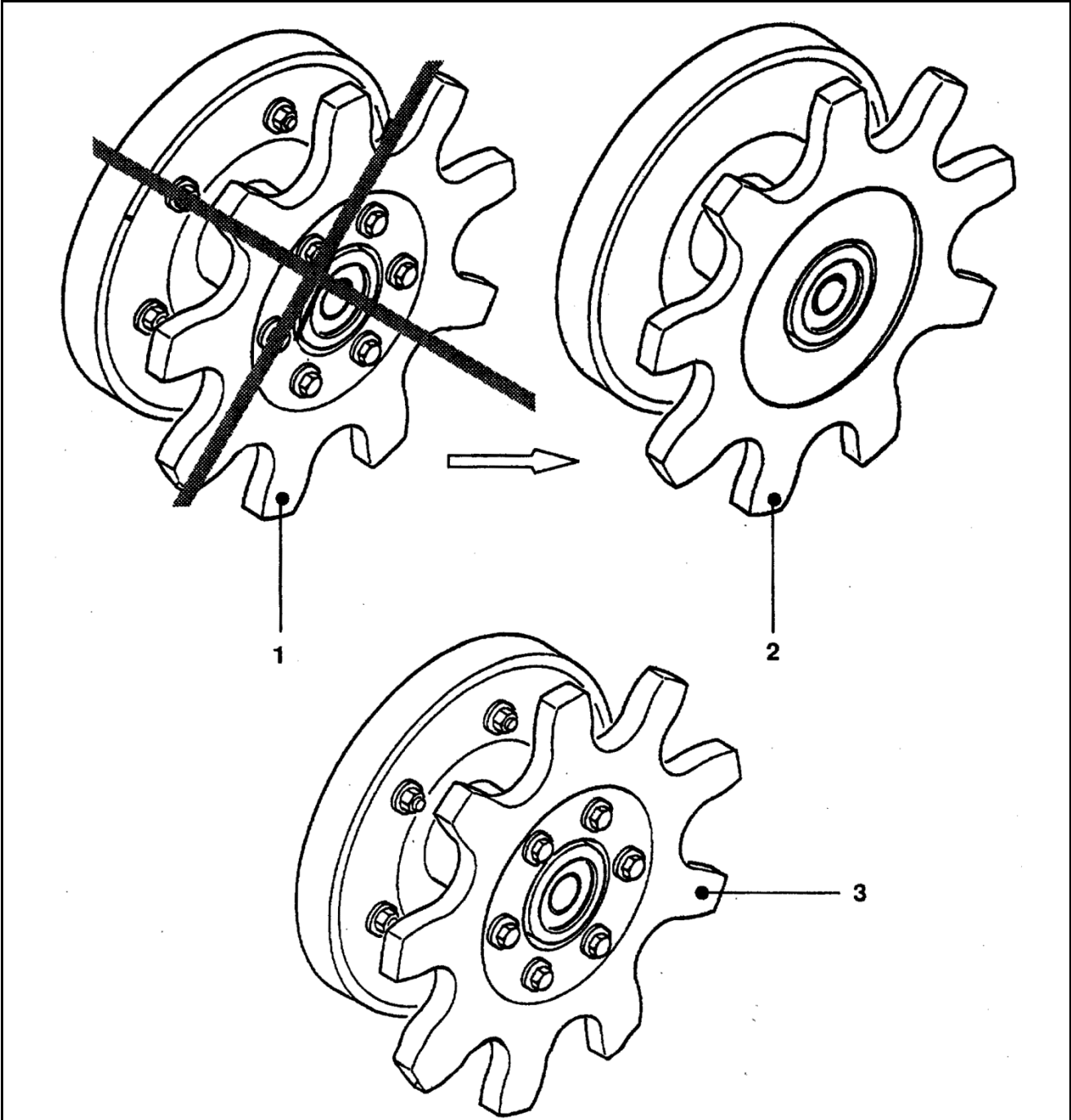
January 1998 / Page 1 of 6



OTIS

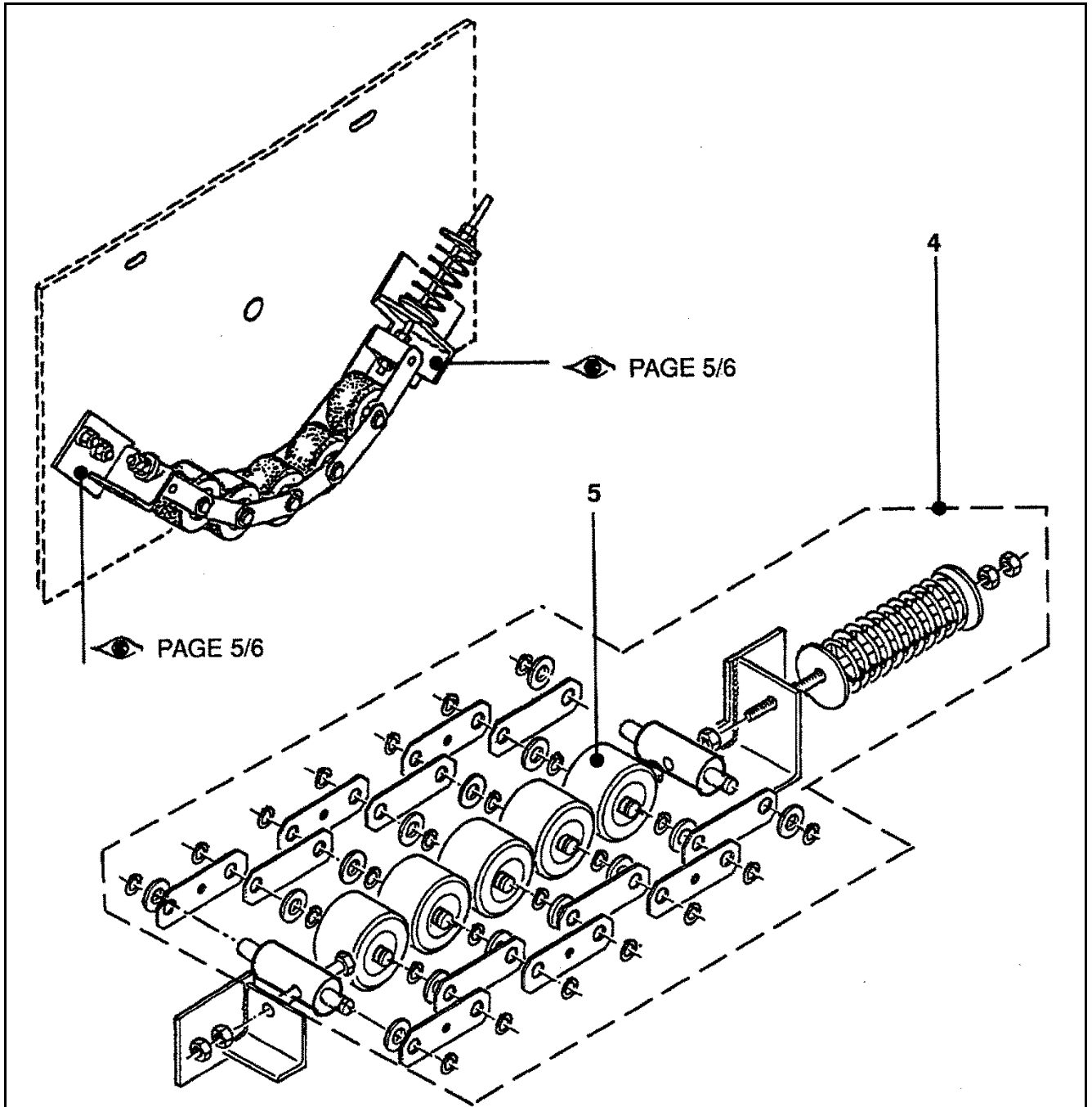
Safety First!

Otis Elevator Company



VINTAGE G.01

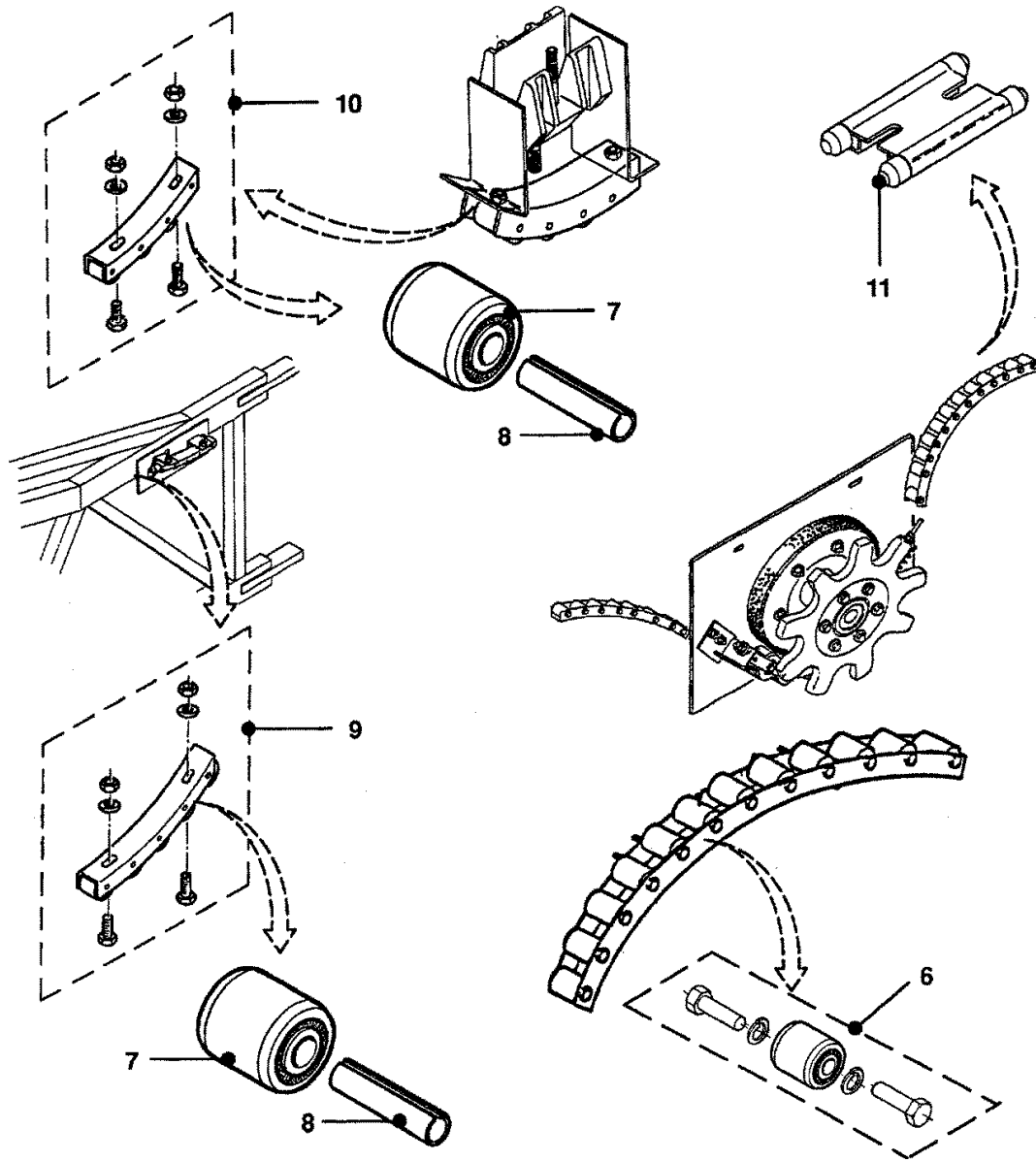
REF. No.	PART No.	DESCRIPTION
1	9704FK1	---
2	9704FK7	Drive Unit for 2 nd Handrail Drive
3	9704FK4	Drive Unit w/ Rubber Tread







VINTAGE G.01		
REF. No.	PART No.	DESCRIPTION
4	GO2215AB44	---
	GBA332Y1	Chain
5	GO2215AB43	Roller
	GO2215AB47	---

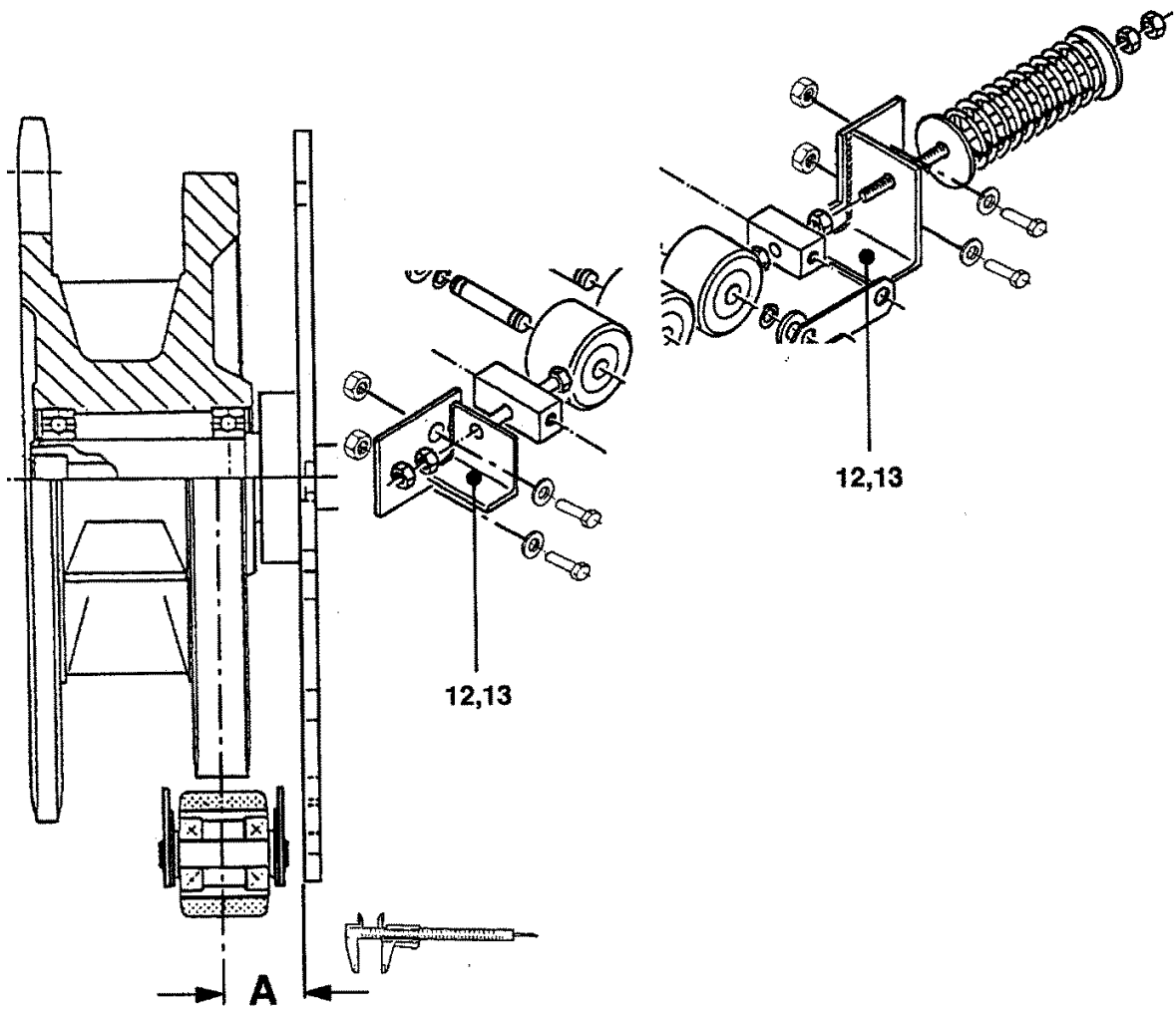
Escalator 510 2nd Handrail Drive

55-9704GB



VINTAGE G.01

REF. No.	PART No.	DESCRIPTION
6	GO2215AB29	Roller & 
7	GO456AY1	Roller
8	GO465BA1	Pin
9	GO2215P1	Roller Support Molding & 
10	GO2215P7	Roller Support Molding & 
11	GO2215AB8	Handrail Guide & 



A = 90mm for Escal.type 510 Standard
A = 50mm for Escal.type 510 SR

VINTAGE G.01				
REF. No.	PART No.	DESCRIPTION		
12	GO2215AB45	Holder	GAA316CCP1	A = 50 mm
			GAA316CCP2	
			GAA316CCR1	
			GAA316CCR2	
13	GO2215AB46	Holder	GAA316CCP3	A = 90 mm
			GAA316CCP4	
			GAA316CCR3	
			GAA316CCR4	
---	GAA26AHE4	Service Instructions		

Escalator 510 2nd Handrail Drive

55-9704GB

ENGLISH : DRILL HOLES AS DIMENSIONED ON JOB SITE AT THE 1ST STEP OF REPLACEMENT ONLY !
AND ORDER REF.NO. 12 OR REF.NO. 13 .
AFTER THEM CHANGE CHAIN AND ROLLER REF.NO. 4 + 5 AS REQUIRED.

DEUTSCH : NUR WÄHREND DES 1. AUSTAUSCHES BEMASSTE LÖCHER NACHBOHREN
UND BESTELLE REF.NR. 12 ODER REF.NR. 13 .
DANACH ERSETZE KETTE UND ROLLEN REF.NR. 4 + 5 NACH BEDARF.

FRANÇAIS : AU 1^{ER} REMPLACEMENT, PERCER LES OBLONGS AUX DIMENSIONS SUR LE CHANTIER,
ET COMMANDER LES REF.NO. 12 OU REF.NO. 13 .
ENSUITE CHANGER LA CHAÎNE ET LE GALET REF.NO. 4 OU 5 DEMANDES.

ITALIAN : ESEGUIRE IN OPERA LE ASOLE COME RAPPRESENTATO SUL DISEGNO
SOLO ALLA PRIMA SOSTITUZIONE E ORDINARE REF.NO. 12 O
13 . PER ULTERIORI SOSTITUZIONI, CAMBIARE CATENA E
ROTELLA REF.NO. 4 O 5 COME RICHIESTO.

ESPAÑOL : SOLAMENTE EN EL PRIMER ESCALON PARA REPONER SE DEBE TALADRAR SEGUN
LAS DIMENSIONES EN LA INSTALACION Y PEDIR SEGUN
LA REF.NO. 12 O 13 ,
DESPUES DE ESTO SE COLOCAN LA CADENA Y LOS
RODILLOS REF.NO. 4 O 5 SEGUN INSTRUCCIONES.

