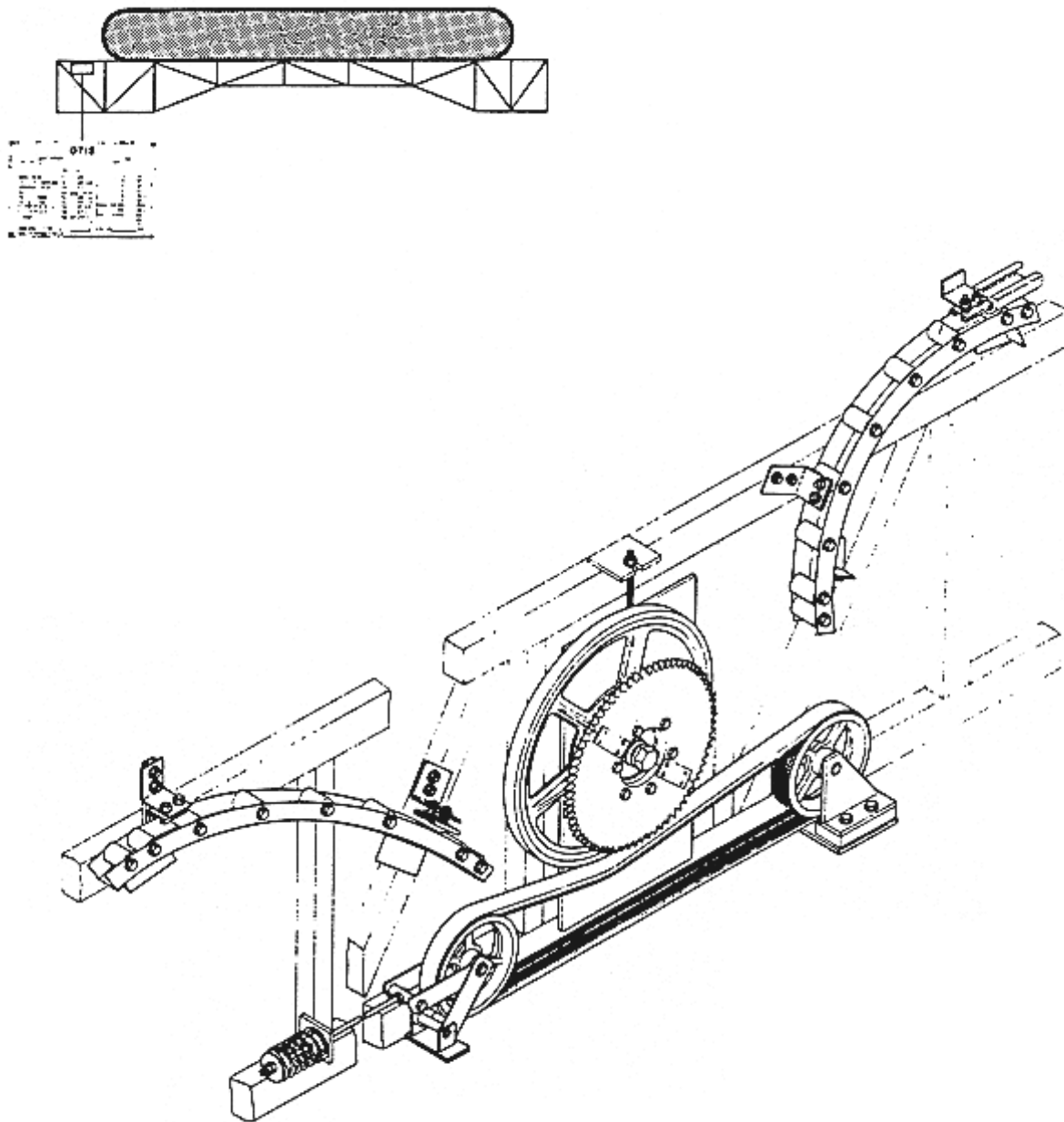


SPL 55-9741E - Trav-O-Lator Handrail Drive 606 (1st & 2nd Drives)

Unpublished Work - © Otis Elevator Company. Any unauthorized reproduction, disclosure, or distribution of copies or content by any person of any portion of this work may be a violation of Copyright Law of the United States of America. All rights reserved.

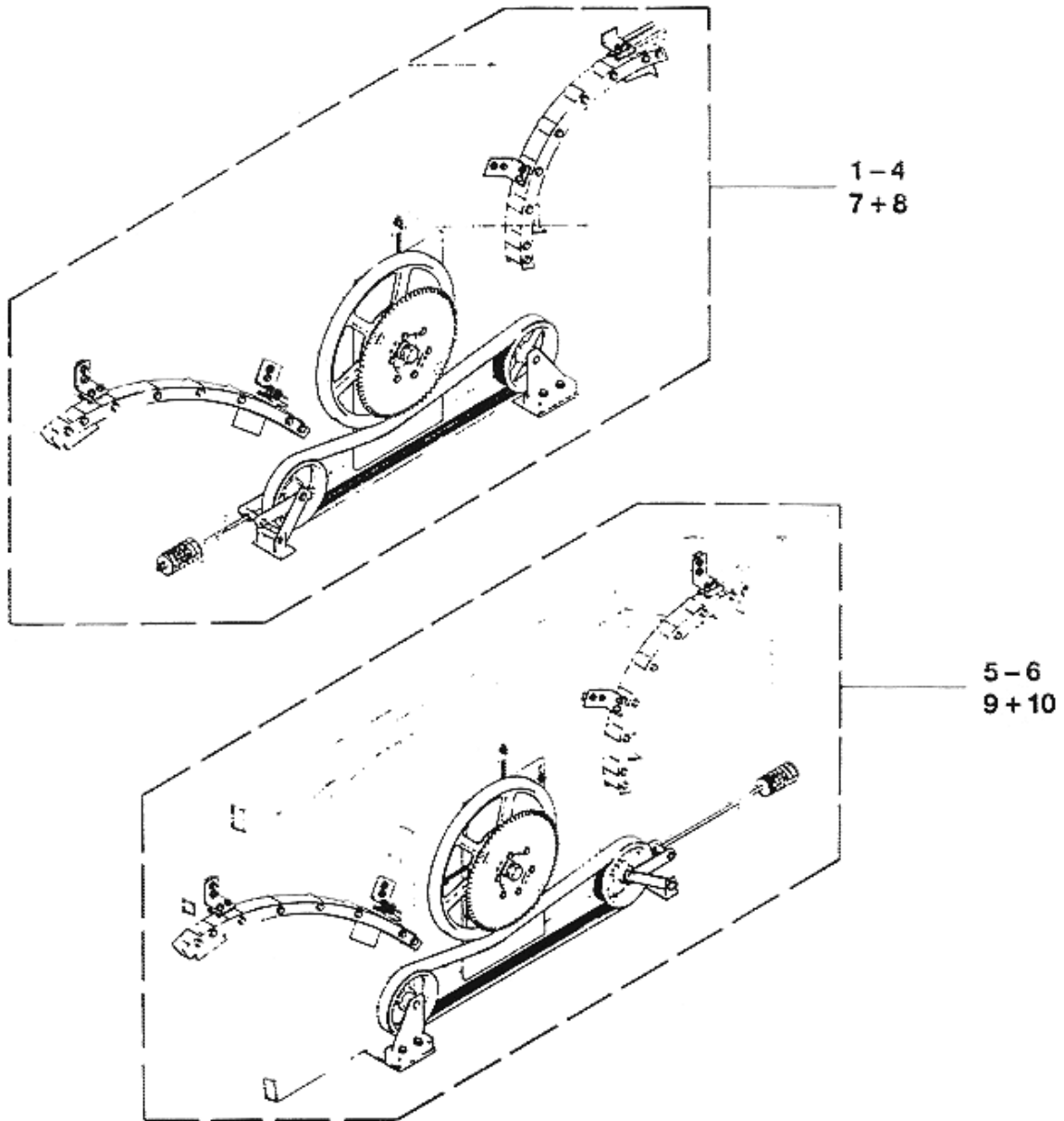
OTIS 606
April 1987

Page 1



SPL 55-9741E - Trav-O-Lator Handrail Drive 606 (1st & 2nd Drives)

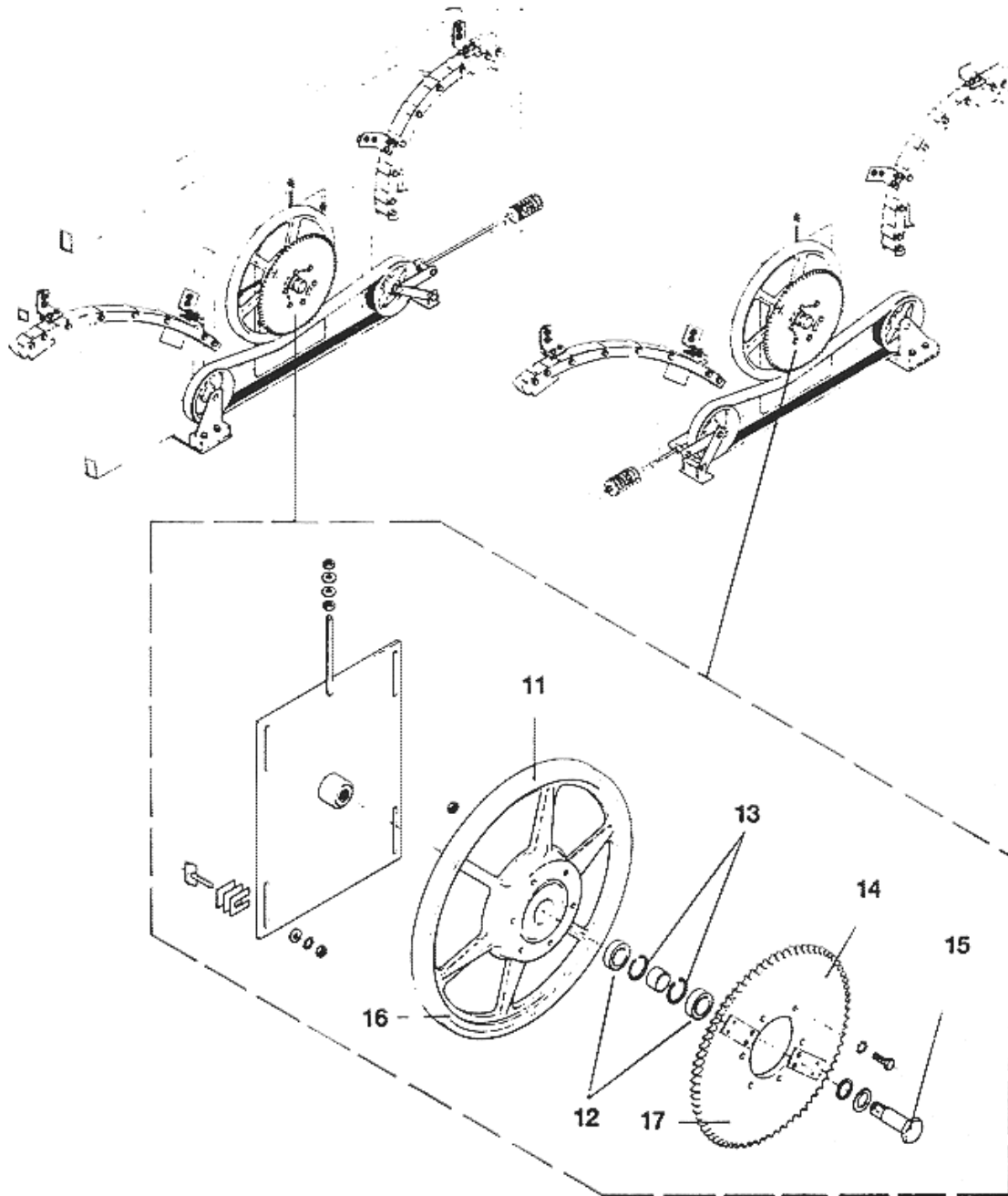
Page 2



VINTAGE G. 01			
REF. No.	PART OR ML	DESCRIPTION	
1	9741E11	Left hand	Handrail drive compl. (0° + 10°)
2	9741E12	Right hand	
3	9741E13	Left hand	Handrail drive compl. (12°)
4	9741E14	Right hand	
5	9741E17	Left hand	2 nd Handrail drive compl. (0°)
6	9741E18	Right hand	
7	9741E21	Left hand	Handrail drive compl. (0°)
8	9741E22	Right hand	
9	9741E25	Left hand	2 nd Handrail drive compl. (0°)
10	9741E26	Right hand	

SPL 55-9741E - Trav-O-Lator Handrail Drive 606 (1st & 2nd Drives)

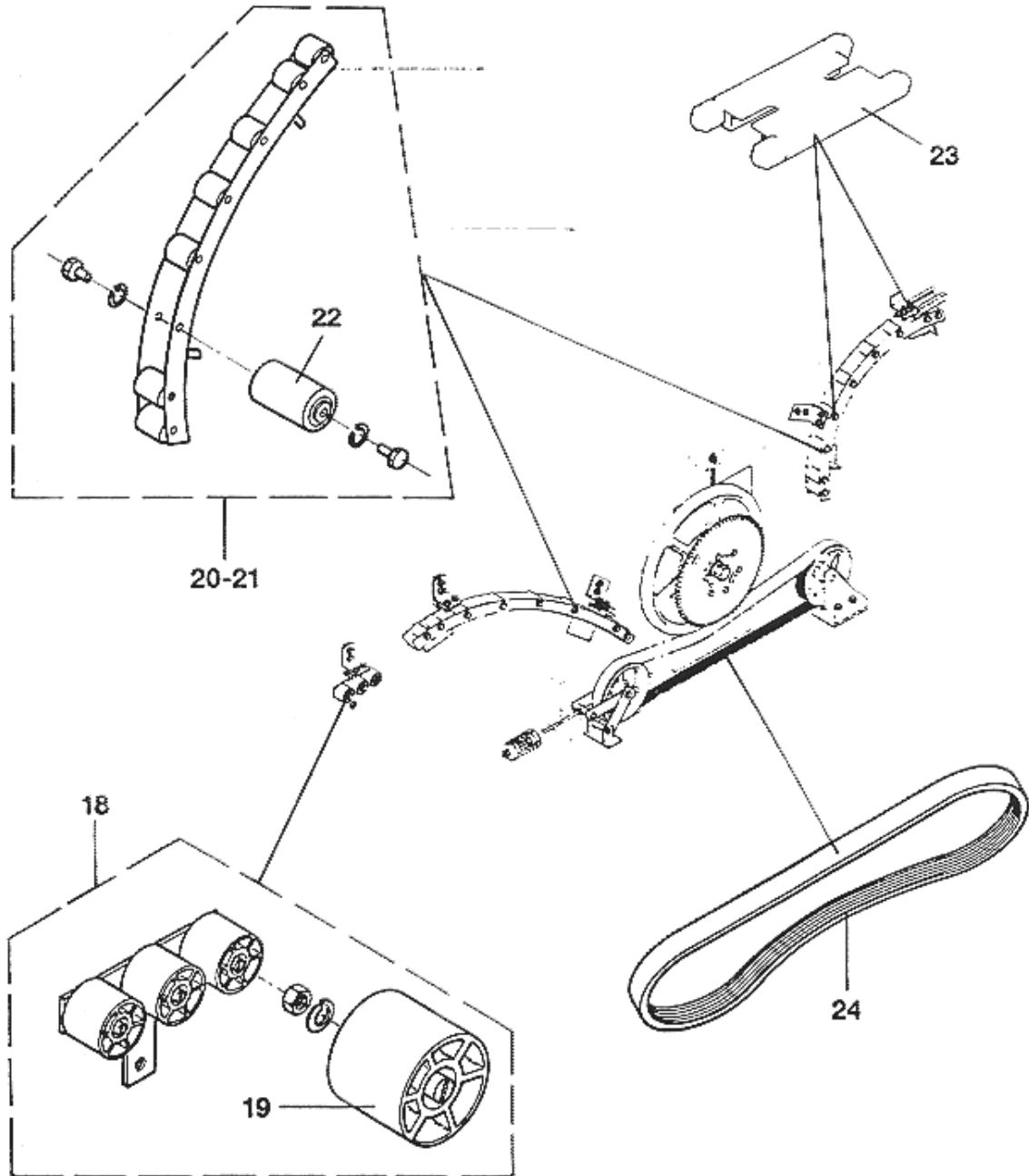
Page 3



VINTAGE G.01			
REF. No.	PART OR ML	DESCRIPTION	
11	GOA265A2	Handrail drive wheel	
12	74351	Rollerbearing	6208Z DIN625
13	17467	Retaining ring	80 x 2,5 DIN472
14	GO195JR1	Sprocket	
15	GOA502F1	Axle	
16	GOA265A3	Handrail drive wheel	only for 2 nd Handrail drive
17	GO195JR4	Sprocket	

SPL 55-9741E - Trav-O-Lator Handrail Drive 606 (1st & 2nd Drives)

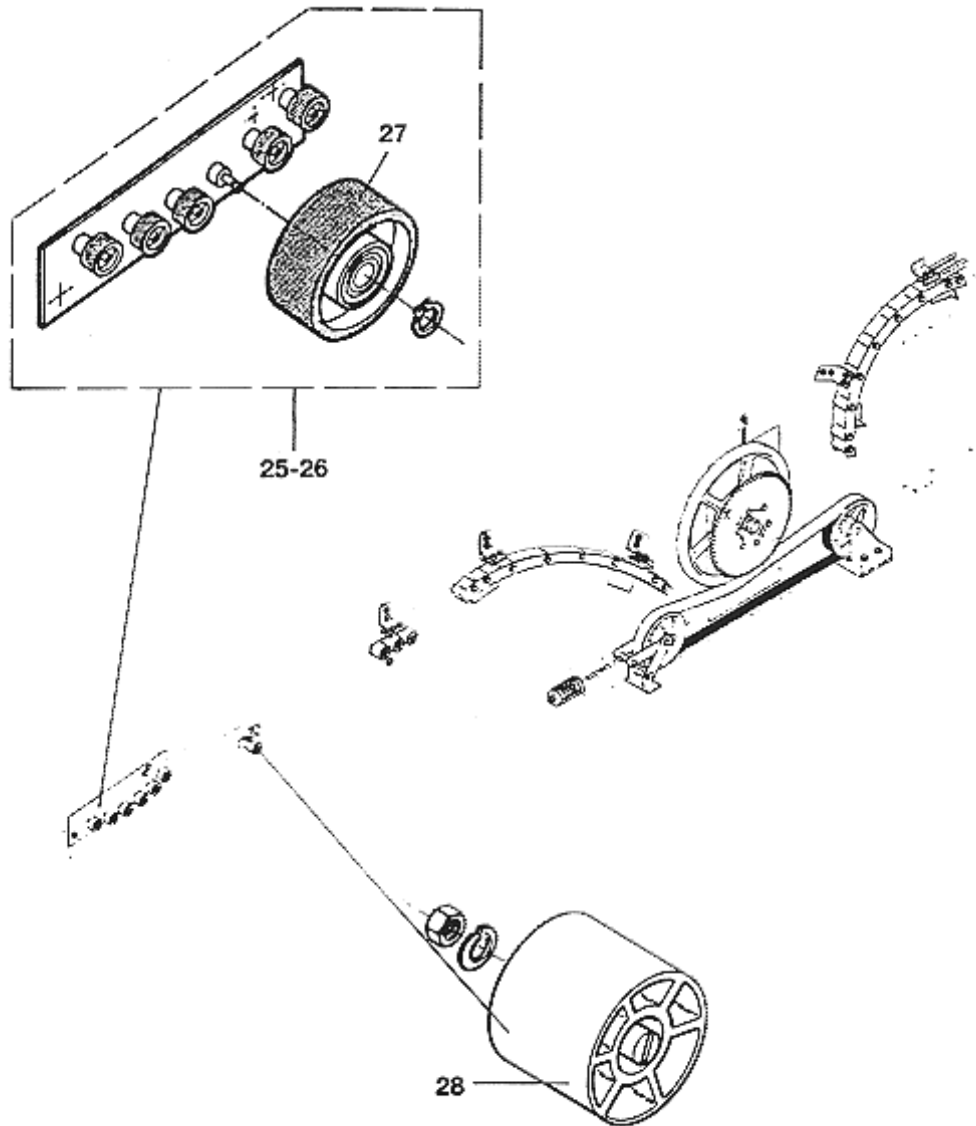
Page 4



VINTAGE G.01		
REF. No	PART OR ML	DESCRIPTION
18	GO385CL1-Z	Handrail guide
19	GO2215AB7	Roller
20	UT2162-2	Roller bow
21	GO347RG12	Roller bow (used for 9741EA21 + 22; 25 + 26)
22	GO2215AB29	Roller & Hardware for fastening
23	GO2215AB8	Handrail guide & Hardware for fastening
24	GO260R4	Poly-V-belt

SPL 55-9741E - Trav-O-Lator Handrail Drive 606 (1st & 2nd Drives)

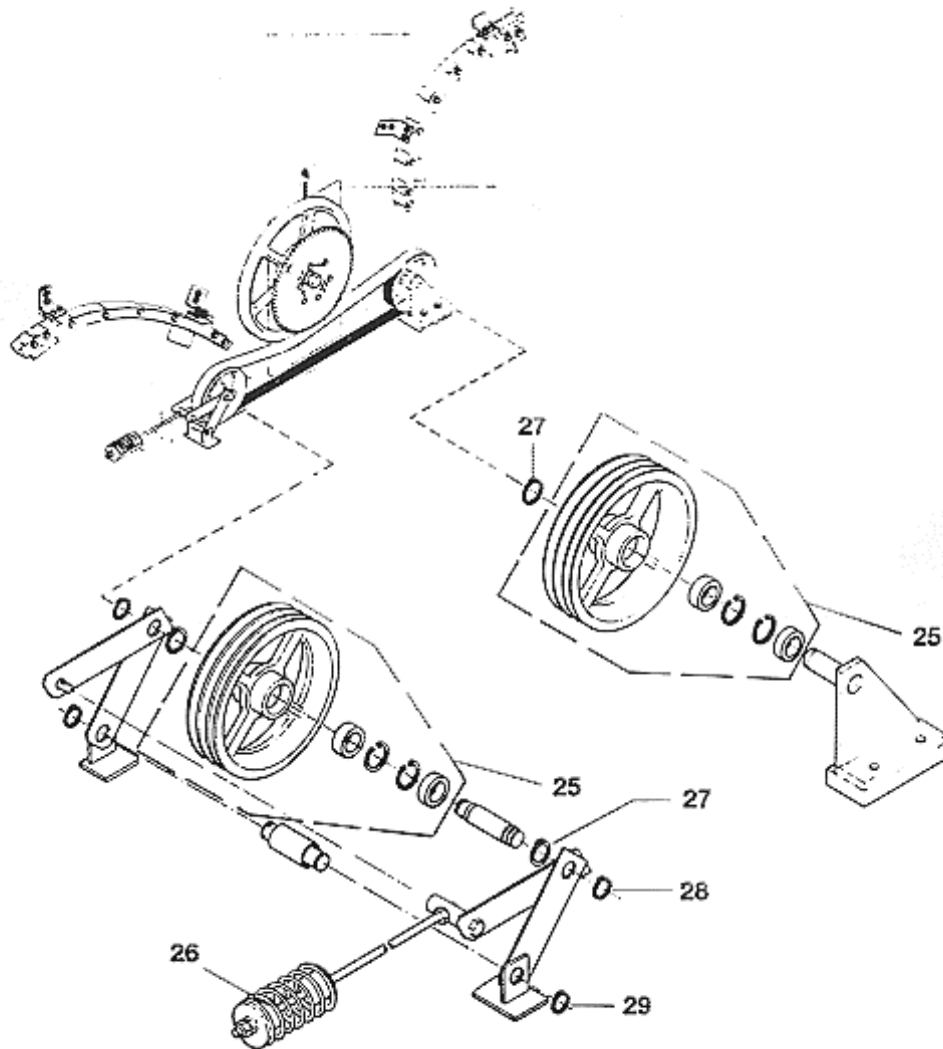
Page 5



VINTAGE G.01		
REF. No	PART OR ML	DESCRIPTION
25	{pnGO9703AJ 3	Roller bow compl. w/o Hardware for fastening As shown on picture Left hand
26	GO9703AJ4	Roller bow compl. w/o Hardware for fastening As shown on picture Right hand
27	GO2215AB10	Roller
28	GO2215AB7	Roller

SPL 55-9741E - Trav-O-Lator Handrail Drive 606 (1st & 2nd Drives)

Page 6



VINTAGE G.01		
REF. No	PART OR ML	DESCRIPTION
25	A9701CX4	V-Belt pulley compl.
26	90HD13	Spring
27	163170	Retaining ring 35 x 1.5 DIN471
28	163162	Retaining ring 30 x 1.5 DIN471
29	147652	Retaining ring 20 x 1.2 DIN 471