

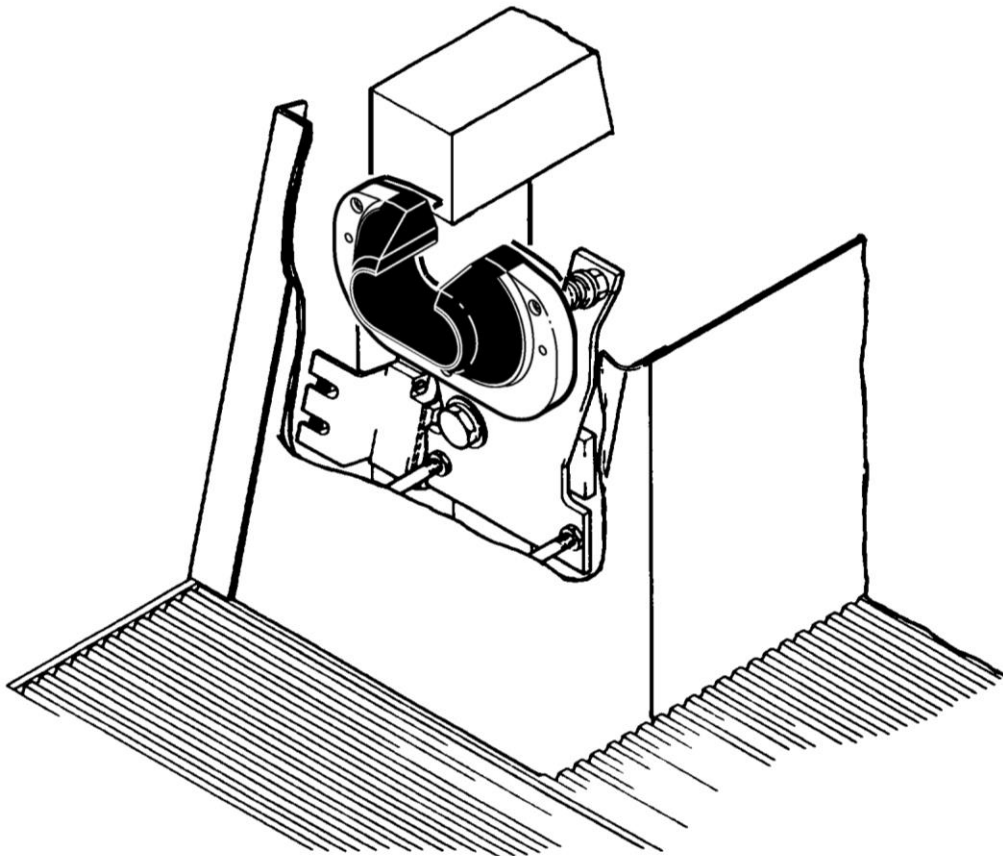
**Handrail Entry Guard for
506/510/516 Escalator
606 Trav-O-Lator®**

Spare Parts Leaflet

55-AAA26189Q

March 15, 2005 / Page 1 of 4

**W/O
VINTAGE**



OTIS

Safety First!

**SERVICE ENGINEERING
Otis Elevator Company
Bloomfield, Connecticut USA**

Leaflet Description

The leaflet is for use by NSAA only. It replaces SPL 55-9703BD. The handrail guard used by NSAA is rubber and replaces the bristle guard originally furnished.

This leaflet identifies the lowest replaceable units recognized and supported by the Otis Service Center, Bloomfield, CT for the listed product.

Leaflet Revisions

Date Revised	Subject Matter Expert	Reason for Revision
March 15, 2005	Tom Charney	New SPL. Issuing new part numbers to handrail guard assembly for NSAA only.

Related Drawings

Drawing No.	Title	Drawing No.	Title
AAA26189Q	Handrail Entry Device Kit with Solid Rubber Guard and Switch	9703BD	Entry Guard, 506, 606
GO9704EP	Entry Guard, 510, 516	GAA438BNY	Escalator 510/516 Handrail Guard Safety Device

Related Documents

Document ID	Title
---	---

Subject Matter Expert

Name	Department
Tom Charney	OSC Service Engineering

About Spare Parts Leaflets...

This document lists the lowest replaceable units (LRUs) for the standard version of the product. The LRUs are chosen by a team of Otis associates representing engineering and manufacturing.

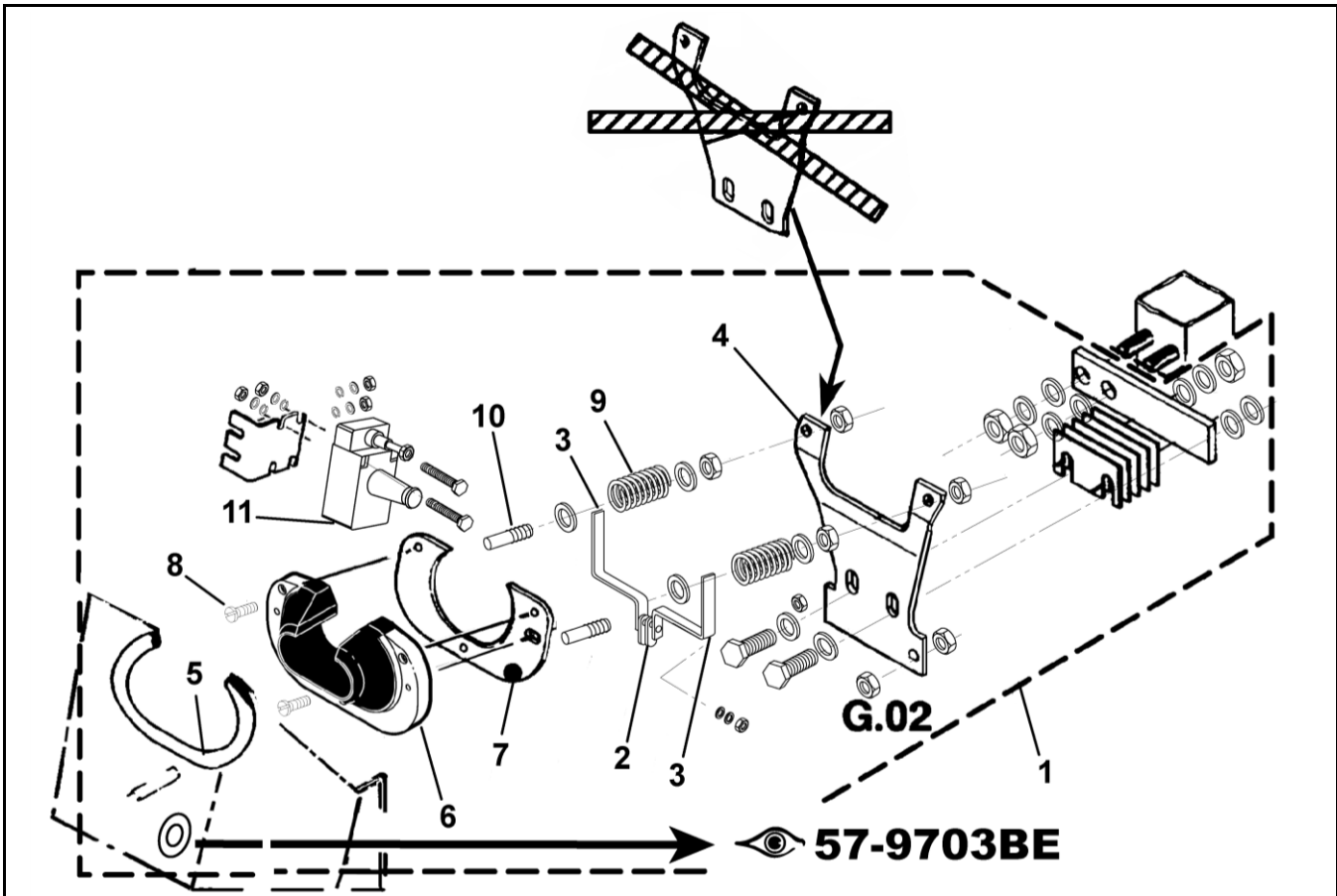
While goal of this document is to make parts identification as easy as possible, the document cannot be all-inclusive. Elevator and escalator contracts classified as "special" or "custom" are not addressed here. For such contracts, please refer to specified information, the contract folder, TIPs, Field Education Articles, Construction Letters, etc. for further information.

If you have any suggestions about this document, please contact the subject matter expert listed on this page.

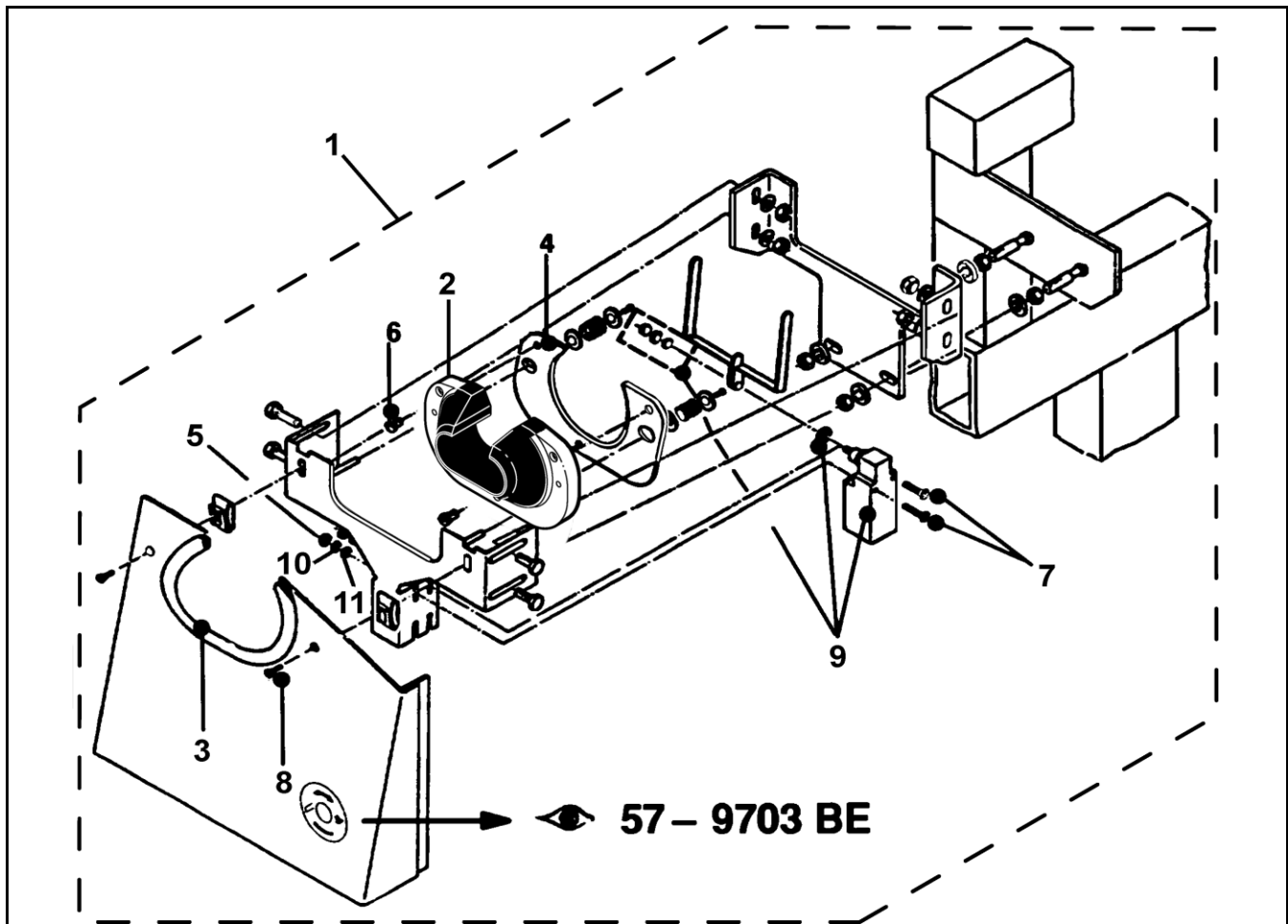
Escalator Handrail Entry Guard 506

55-AAA26189Q

Trav-O-Lator® Handrail Entry Guard 606



W/O VINTAGE		
REF. No.	PART No.	DESCRIPTION
1	9703BD1 A9703BD4 AAA26189Q1	Assembly, Handrail Entry Device
2	GO370D1	Contact Finger
3	GO370E1	Contact Finger
4	GO338AS1	Fork
5	GO2215D3	Guard, for Skirt Panel
6	B9701BH2	Handrail Guard Brush
	A384JR1	Handrail Guard, Solid Rubber
7	GO180VR1	Holder
8	14563	Screw
9	GO2215D4	Spring
10	GO65BP1	Stud
11	GO177AM2 GAA177EM1	Switch

55-AAA26189Q**Escalator 510 / 516 Handrail
Entry Guard (safety device)**

W/O VINTAGE		
REF. No.	PART No.	DESCRIPTION
1	GO9704EP1 AAA26189Q2	Assembly, Handrail Guard
2	A384JR1	Brush, Handrail Guard
3	GO2215D3	Guard for skirt panel
4	GO180VR2	Holder
5	190561	Nut, M4, DIN 934-190561
6	145563	Screw M5x10, DIN 84-14563
7	14456	Screw, AM 4x30, DIN 84-14456
8	VP-849886	Screw, M4x30, DIN 7991-127993
9	GO177AM2 GAA177EM1	Switch
10	190553	Washer, A4, DIN 127-190553
11	55789	Washer, A4.3, DIN 84-55789