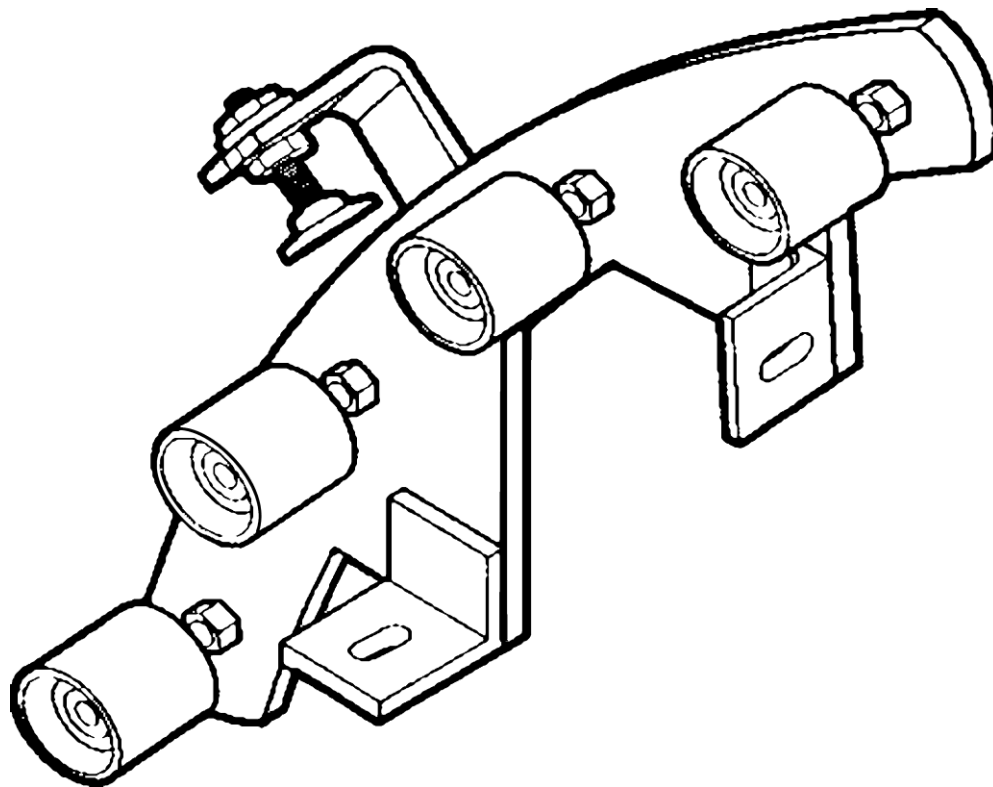


**OCE521 Escalator
Inlet Roller**

Spare Parts Leaflet

55-ASA03C371

January 18, 2007 / Page 1 of 3



OTIS

Safety First!

**ESCALATOR DEPARTMENT
Otis Elevator Company
Changwon, Korea**

Leaflet Description

OCE521 Escalator HR Driving Part's Inlet Roller.

Leaflet Revisions

| Date Revised | Subject Matter Expert | Reason for Revision |
|---------------------|------------------------------|----------------------------|
| March 8, 2006 | --- | Release |
| January 18, 2007 | --- | Addition of roller |

Related Drawings

| Drawing No. | Title | Drawing No. | Title |
|--------------------|-------------------------|--------------------|----------------|
| ASA01A082 | Handrail Drive Assembly | ASA00C753 | HSD SW Setting |
| | | | |

Related Documents

| Document ID | Title |
|--------------------|--------------|
| --- | --- |
| | |

Subject Matter Expert

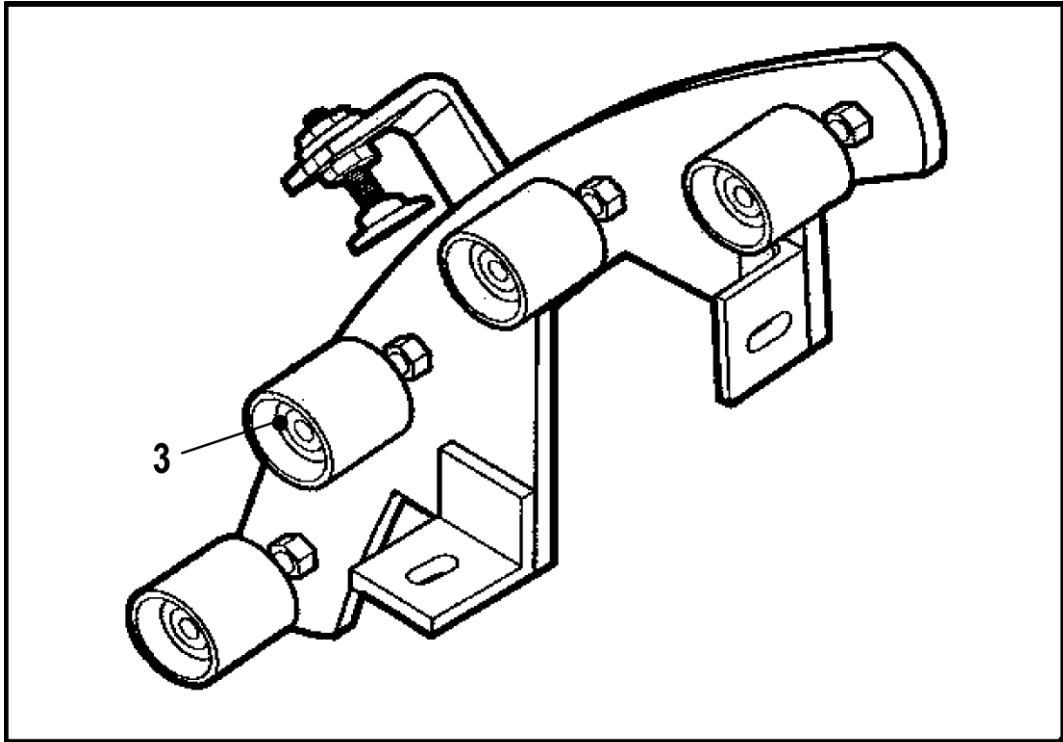
| Name | Department |
|-------------|-------------------|
| | |

About Spare Parts Leaflets...

This document lists the lowest replaceable units (LRUs) for the standard version of the product. The LRUs are chosen by a team of Otis associates representing engineering and manufacturing.

While goal of this document is to make parts identification as easy as possible, the document cannot be all-inclusive. Elevator and escalator contracts classified as "special" or "custom" are not addressed here. For such contracts, please refer to specified information, the contract folder, TIPs, Field Education Articles, Construction Letters, etc. for further information.

If you have any suggestions about this document, please contact the subject matter expert listed on this page.



1~2

| W/O VINTAGE | | |
|--------------------|-----------------|--------------------------|
| REF. No. | PART No. | DESCRIPTION |
| 1 | ASA01B214C | Inlet Roller Assy, Left |
| 2 | ASA01B214D | Inlet Roller Assy, Right |
| 3 | 3L11869A | Roller (truss) |