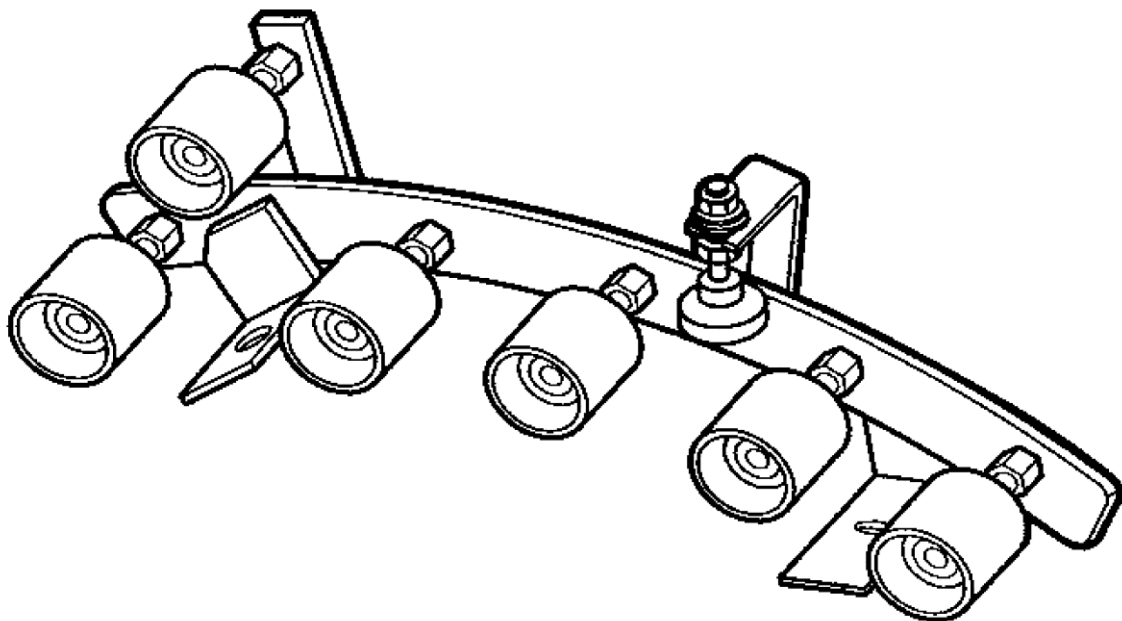


**OCE521 Escalator  
Outlet Roller**

**Spare Parts Leaflet**

**55-ASA03C372**

**January 18, 2007 / Page 1 of 3**



**OTIS**

**Safety First!**

**Escalator Department  
Otis Elevator Company  
Changwon, Korea**

**Leaflet Description**

OCE521 Escalator HR Driving Part's Outlet Roller.

**Leaflet Revisions**

<b>Date Revised</b>	<b>Subject Matter Expert</b>	<b>Reason for Revision</b>
March 8, 2006	---	Release
January 18, 2007	---	Addition of Roller

**Related Drawings**

<b>Drawing No.</b>	<b>Title</b>	<b>Drawing No.</b>	<b>Title</b>
ASA01A082	Handrail Drive Assembly		

**Related Documents**

<b>Document ID</b>	<b>Title</b>
---	---

**Subject Matter Expert**

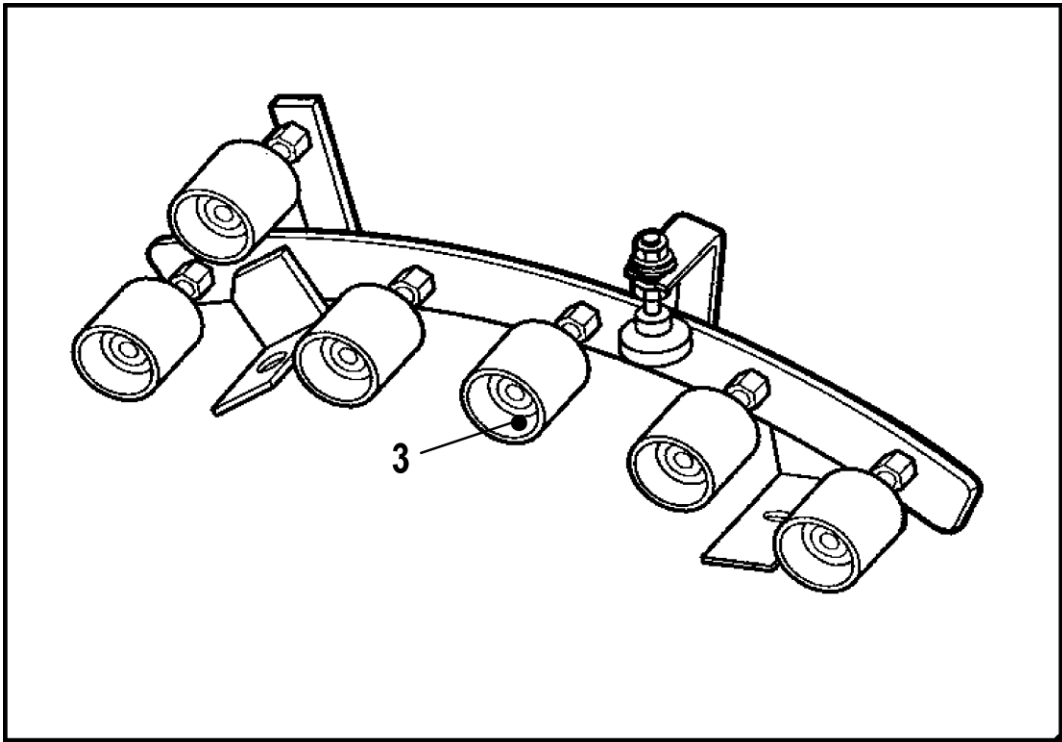
<b>Name</b>	<b>Department</b>

**About Spare Parts Leaflets...**

This document lists the lowest replaceable units (LRUs) for the standard version of the product. The LRUs are chosen by a team of Otis associates representing engineering and manufacturing.

While goal of this document is to make parts identification as easy as possible, the document cannot be all-inclusive. Elevator and escalator contracts classified as "special" or "custom" are not addressed here. For such contracts, please refer to specified information, the contract folder, TIPs, Field Education Articles, Construction Letters, etc. for further information.

If you have any suggestions about this document, please contact the subject matter expert listed on this page.



1~2

W/O VINTAGE		
REF. No.	PART No.	DESCRIPTION
1	ASA00C512A	Outlet Roller, Left
2	ASA00C512B	Outlet Roller, Right
3	3L11869A	Roller(Truss)