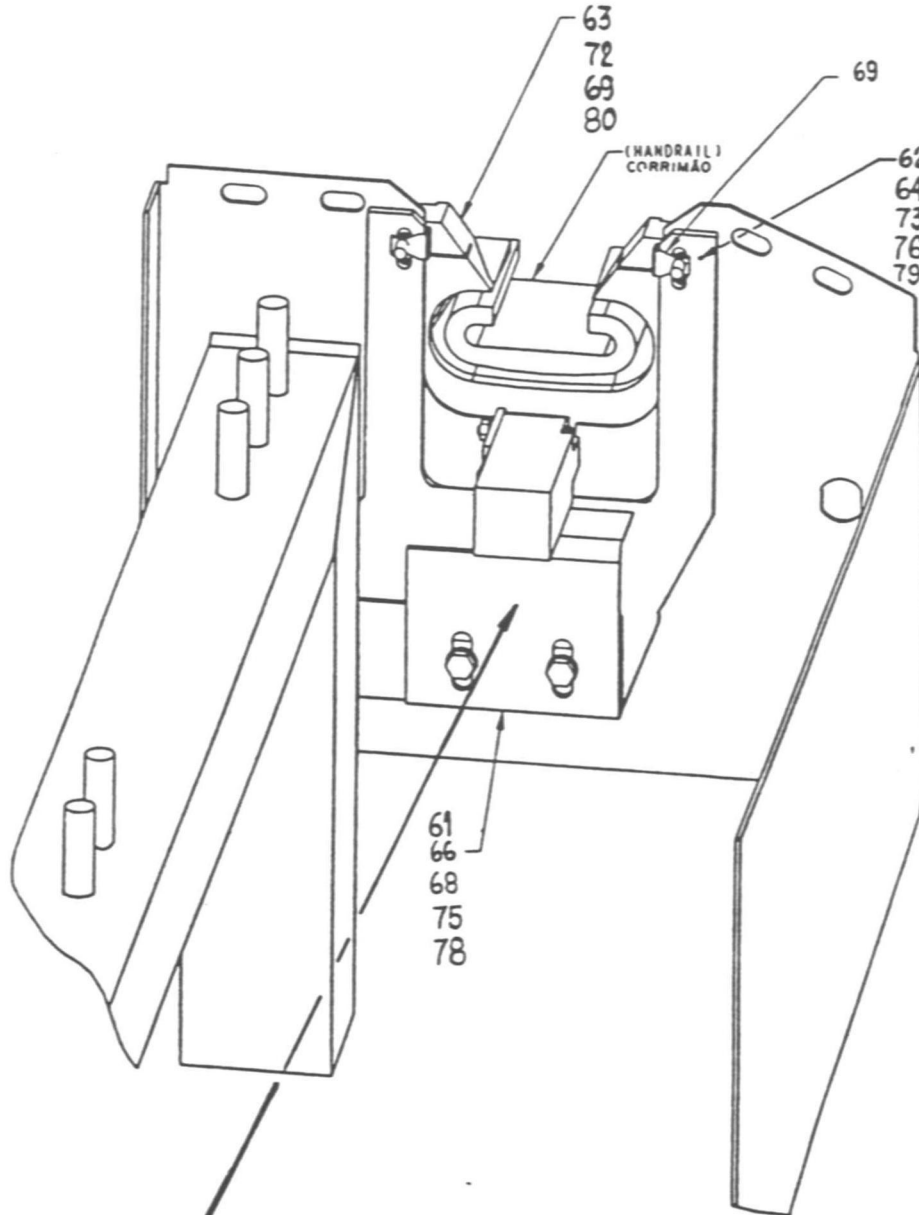


SEGURANCA DA ENTRADA DO CORRIMAO (HANDRAIL ENTRY DEVICE)
HE1L/HE1R - HE2L/HE2R

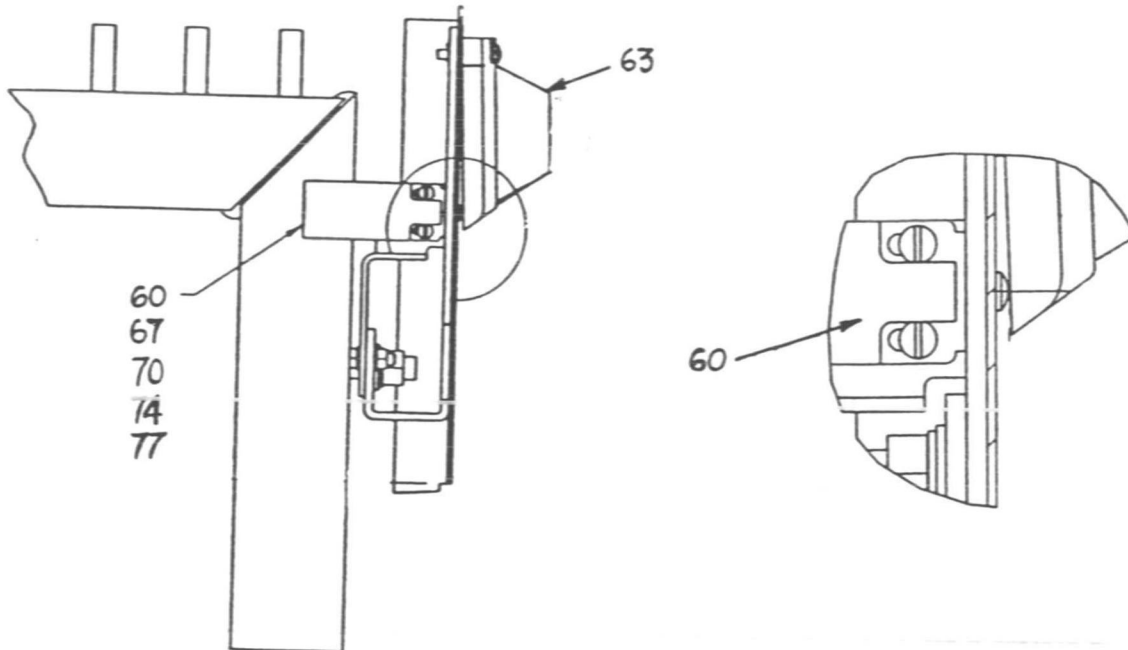
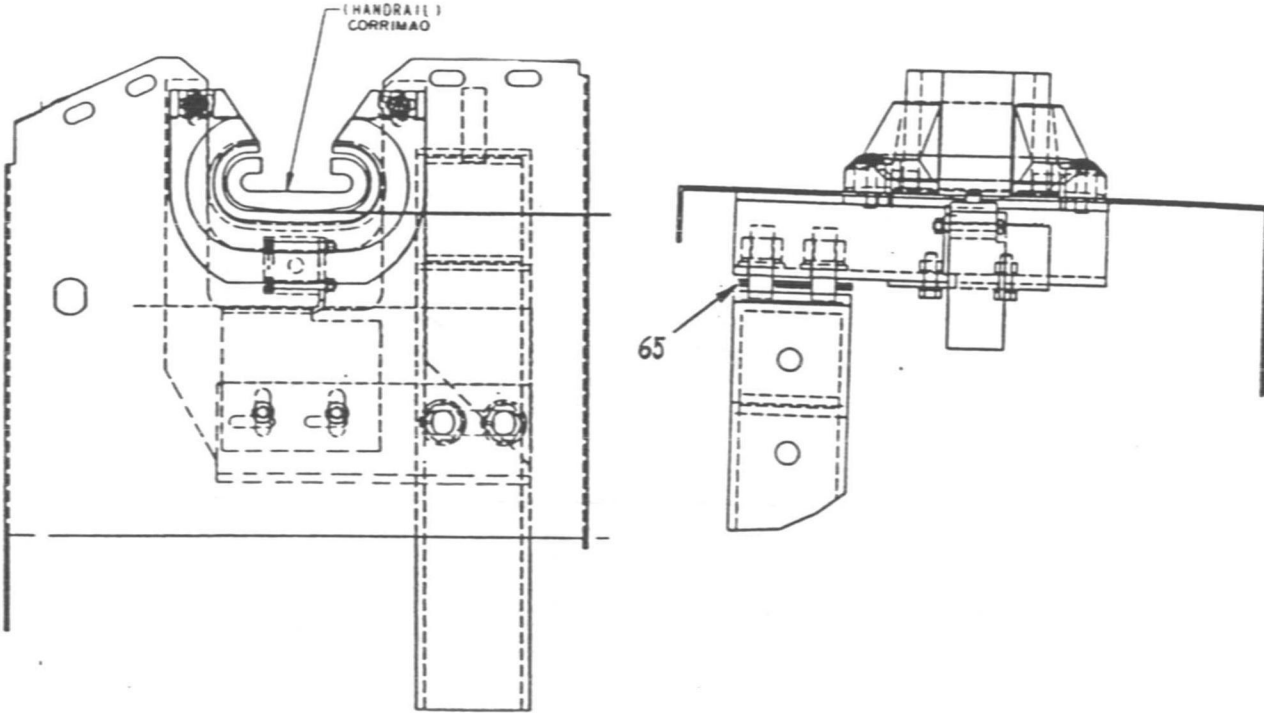


55	BAA26180B
B VINTAGE B 02	

REVISION

PREVIOUS DATE:

SEGURANCA DA ENTRADA DO CORRIMAO (HANDRAIL ENTRY DEVICE)
HE1L/HE1R - HE2L/HE2R



OTIS

PARTS LEAFLET

55-BAA26180B

SAO BERNARDO DO CAMPO
ENGINEERING DEPARTMENTSEGURANÇAS - K2/K3 - 30/35
(SAFETIES DEVICE - K2/K3 - 30/35)PAGE 3/3
DATE 94/DEC/12

SEGURANCA DA ENTRADA DO CORRIMAO (HANDRAIL ENTRY DEVICE)

HE1L/HE1R - HE2L/HE2R

VINTAGE B01

REF. NUM.	DESCRICAO DESCRIPTION	PARTE NUMERO PART OR ML
60	MICRO (LIMIT SWITCH)	BAA177G1
61	SUPORE (BRACKET)	BAA316JL1
62	SUPORE (BRACKET)	BAA180BV1
63	MONTAGEM DO INSERTO DA PROTECAO DE ENTRADA CORRIMAO (HANDRAIL GUARD INSERT ASSEMBLY)	BAA384AG1
64	SUPORE (BRACKET)	BAA180BV2
65	CALCOS (SHIM)	G0255BR37
66	PARAFUSO FS M6x20 DIN933 (BOLT)	40SD184680
67	PARAFUSO FS M4x40 DIN84 (BOLT)	40CH181550
68	PARAFUSO FS M5x40 DIN84 (BOLT)	40CH182200
69	PORCA (NUT)	AAA72GT2
70	PORCA FS M4 DIN934 (NUT)	43SD182000
72	PORCA FS M6 DIN934 (NUT)	43SD182200
73	PORCA FS M12 DIN934 (NUT)	43SD182500
74	ARRUELA DE PRESSAO B4 DIN127 (SPRING WASHER)	03PG180400
75	ARRUELA DE PRESSAO B6 DIN127 (SPRING WASHER)	03PG180800
76	ARRUELA DE PRESSAO B12 DIN127 (SPRING WASHER)	03PG181200
77	ARRUELA PARALELA A4.3 DIN125 (WASHER)	03PB181200
78	ARRUELA PARALELA A6.4 DIN125 (WASHER)	03PB181400
79	ARRUELA PARALELA A13 DIN125 (WASHER)	03PB181900
80	ARRUELA PARALELA A5.3 DIN125 (WASHER)	03PB181300

REVISION

PREVIOUS DATE:93/DEC/15