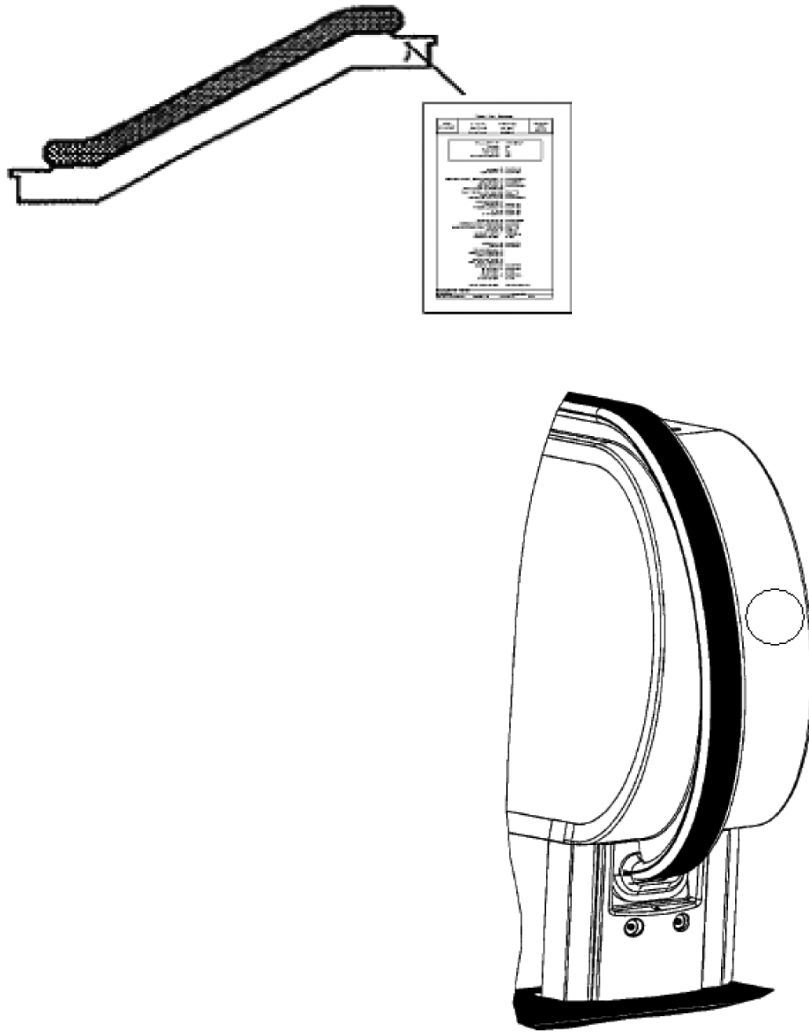


**512NCE / 515NPE-S /  
515NPE-L Escalator  
Balustrade Handrail  
Entry Box**

**Spare Parts Leaflet**

**55-DAA26220T**

**November 18, 2010 / Page 1 of 3**



Unpublished Work—©Otis Elevator Co.; 2010

**OTIS**

**Safety First!**

**ESCALATOR ENGINEERING  
Otis Elevator Company  
SIT Guangzhou**

**Leaflet Description**

Opaque Balustrade Entry Box

**Leaflet Revisions**

<b>Date Revised</b>	<b>Subject Matter Expert</b>	<b>Reason for Revision</b>
August 8, 2007	Zhou, fuqiang	Release
May 26, 2009	Wang, Shouhong	Update to cover <b>512NCE/515NPE-L</b> ; rename <b>LINK B</b> to <b>515NPE-S</b>
November 18, 2010		SPL code "57" changed to "55".

**Related Drawings**

<b>Drawing No.</b>	<b>Title</b>	<b>Drawing No.</b>	<b>Title</b>
DAA26220T	OPAQUE balustrade entry box		

**Related Documents**

<b>Document ID</b>	<b>Title</b>
ODS DAA27076AV	OPAQUE balustrade entry box

**Subject Matter Expert**

<b>Name</b>	<b>Department</b>
	SIT, Guangzhou

**About Spare Parts Leaflets...**

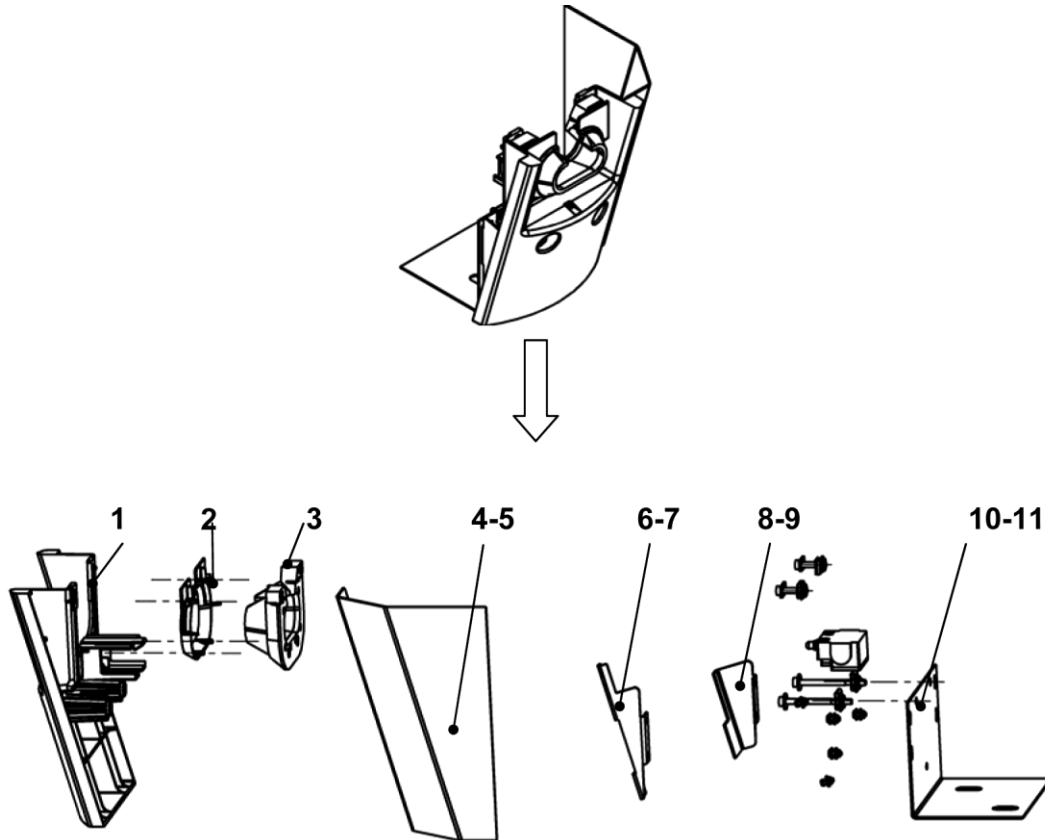
This document lists the lowest replaceable units (LRUs) for the standard version of the product. The LRUs are chosen by a team of Otis associates representing engineering and manufacturing.

While goal of this document is to make parts identification as easy as possible, the document cannot be all-inclusive. Elevator and escalator contracts classified as "special" or "custom" are not addressed here. For such contracts, please refer to specified information, the contract folder, TIPs, Field Education Articles, Construction Letters, etc. for further information.

If you have any suggestions about this document, please contact the subject matter expert listed on this page.

# 512NCE / 515NPE-S / 515NPE-L Escalator Balustrade Handrail Entry Box

**55-DAA26220T**



<b>DAA26220T</b>		
<b>REF. No.</b>	<b>PART No.</b>	<b>DESCRIPTION</b>
1	GAA346PL1	Front plate
2	GAA273TS1	Cover
3	GAA384JZ1	Handrail Guide
4	DAA438JX1	Skirt Panel, As Shown
5	DAA438JX2	Skirt Panel, Opposite
6	DAA316AFK1	Support, As Shown
7	DAA316AFK2	Support, Opposite
8	DAA316AFL1	Support, As Shown
9	DAA316AFL2	Support, Opposite
10	DAA283QK1	Support, As Shown
11	DAA283QK2	Support, Opposite