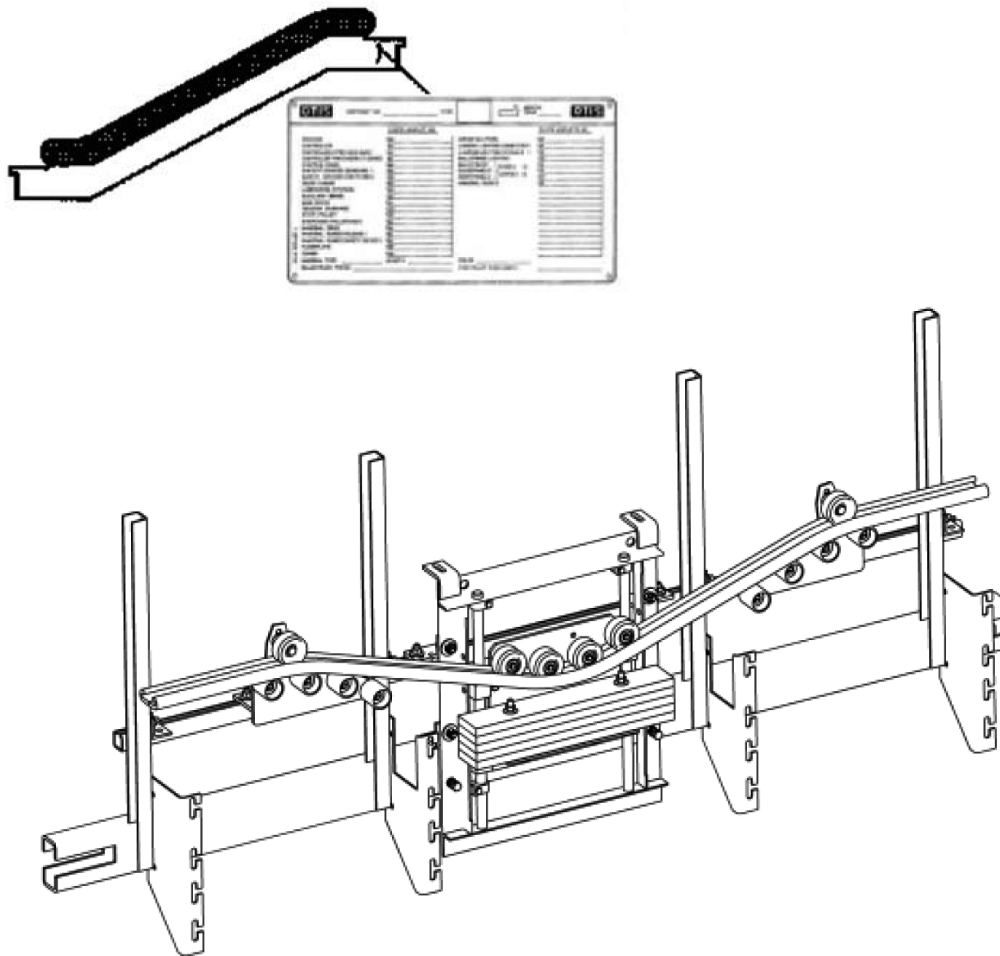


**512NCE / 515NPE-S /
515NPE-L Escalator,
Opaque Balustrade
HR Compensation Device**

**Spare Parts Leaflet
55-DAA26230B**

November 18, 2010 / Page 1 of 4



OTIS

Safety First!

**ESCALATOR ENGINEERING
Otis Elevator Company
SIT Guangzhou**

Leaflet Description

Handrail compensation device for 512NCE / 515NPE-S / 515NPE-L opaque balustrade.

Leaflet Revisions

Date Revised	Subject Matter Expert	Reason for Revision
May 20, 2009	Wu, Muke	Release
November 18, 2010	Wu, Muke	SPL cod "57" changed to "55"

Related Drawings

Drawing No.	Title	Drawing No.	Title
DAA26230B	Handrail Compensation Device		

Related Documents

Document ID	Title
BOM DAA26230B	Handrail Compensation Device

Subject Matter Expert

Name	Department
Wu, Muke	SIT Guangzhou

About Spare Parts Leaflets...

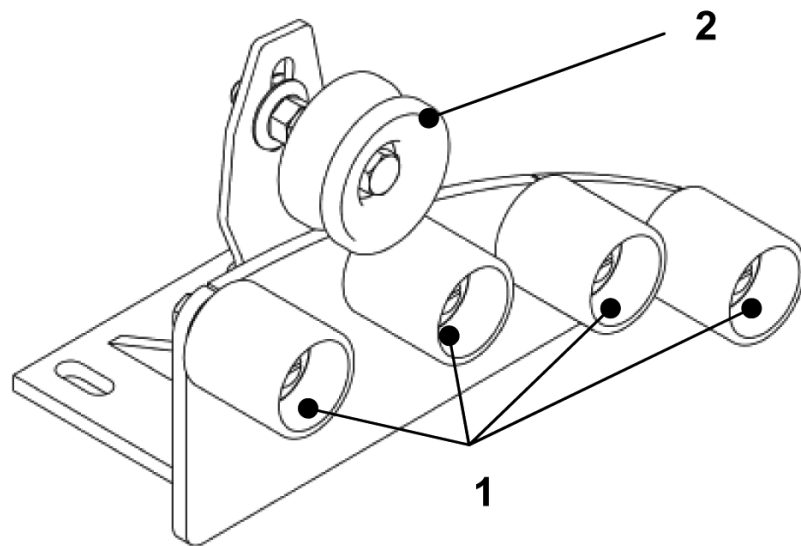
This document lists the lowest replaceable units (LRUs) for the standard version of the product. The LRUs are chosen by a team of Otis associates representing engineering and manufacturing.

While goal of this document is to make parts identification as easy as possible, the document cannot be all-inclusive. Elevator and escalator contracts classified as "special" or "custom" are not addressed here. For such contracts, please refer to specified information, the contract folder, TIPs, Field Education Articles, Construction Letters, etc. for further information.

If you have any suggestions about this document, please contact the subject matter expert listed on this page.

Handrail Compensation Device

55-DAA26230B

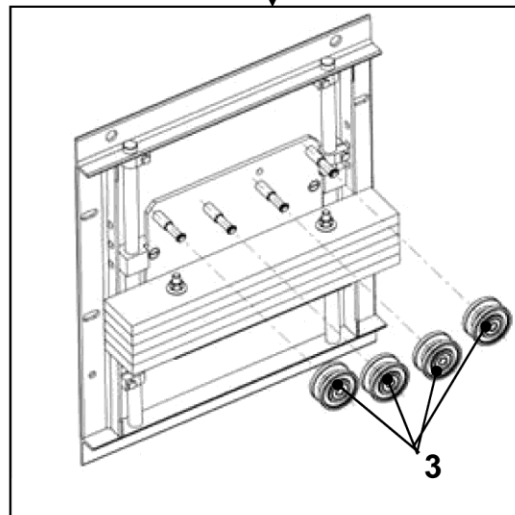
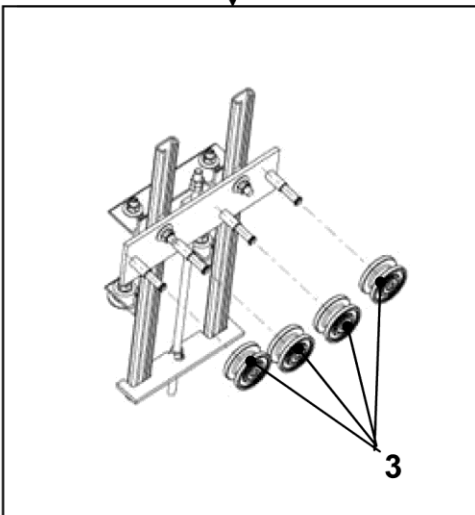
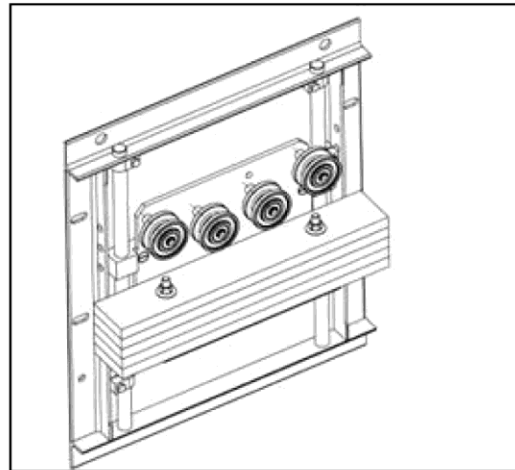
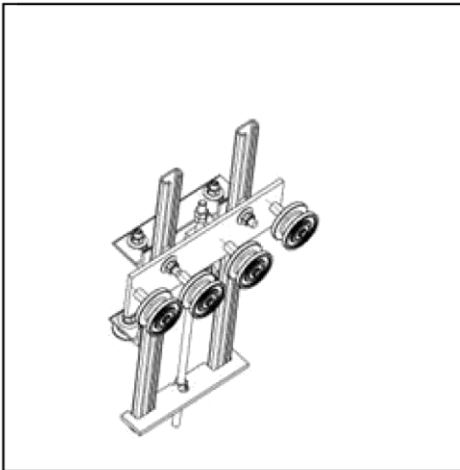


DAA26230B		
REF. No.	PART No.	DESCRIPTION
1	GAA456DG10	Roller
2	GAA456DH1	Roller

Compensation Device

Manual compensation device

Auto. compensation device



DAA26230B		
REF. No.	PART No.	DESCRIPTION
3	GAA456DJ1	Roller