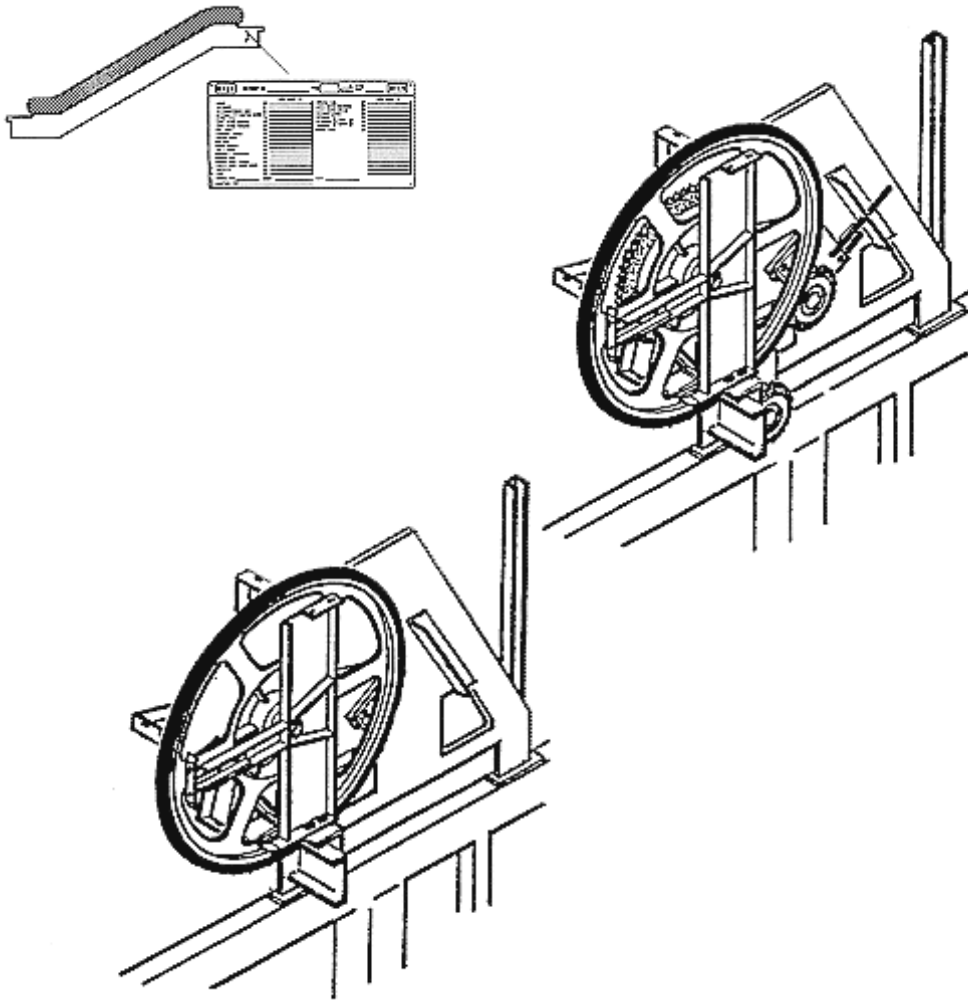


# SPL 55-GAA26180A - Escalator, Handrail Drive, 510 and 516

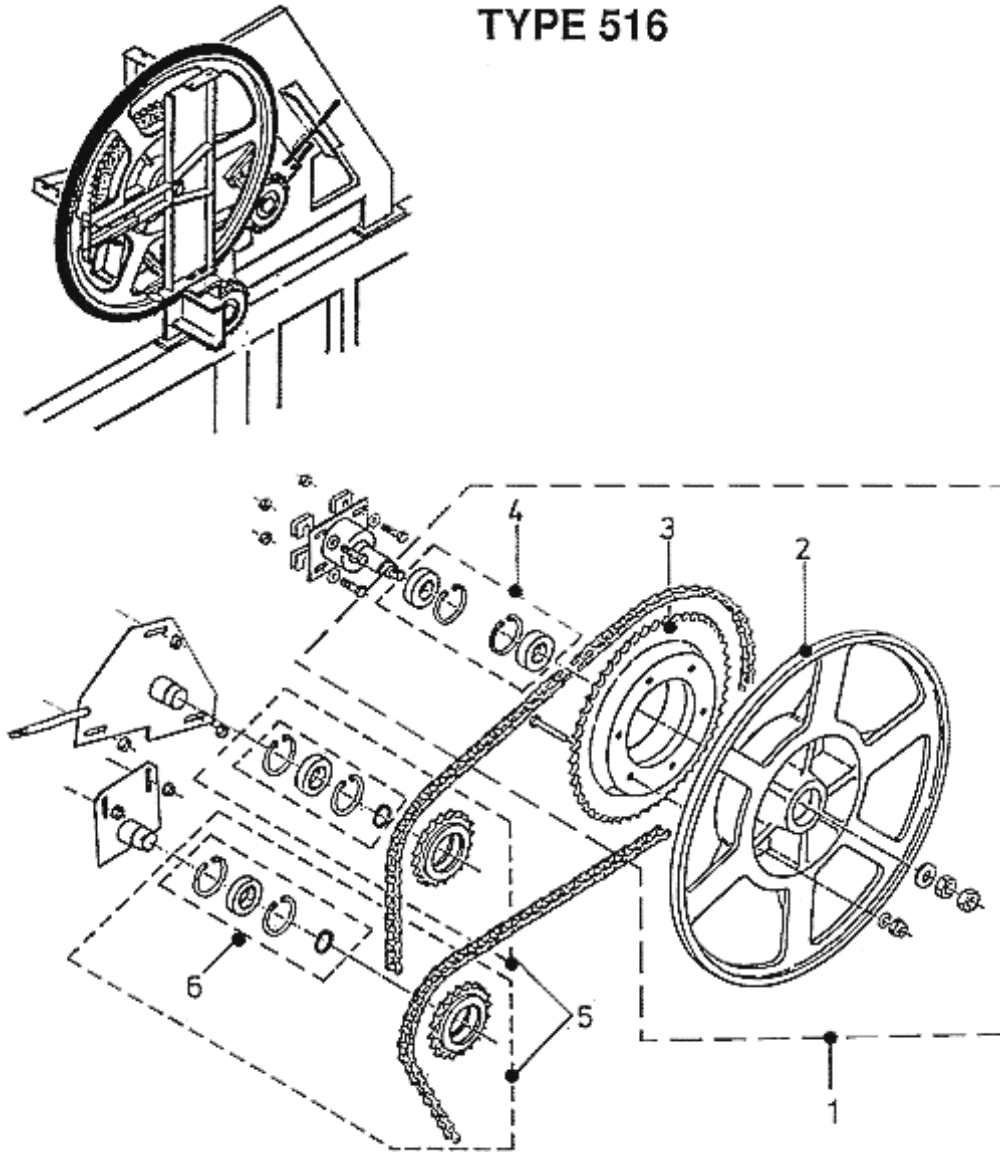
Unpublished Work - © Otis Elevator Company. Any unauthorized reproduction, disclosure, or distribution of copies or content by any person of any portion of this work may be a violation of Copyright Law of the United States of America. All rights reserved.

510,516 SL  
January 1995

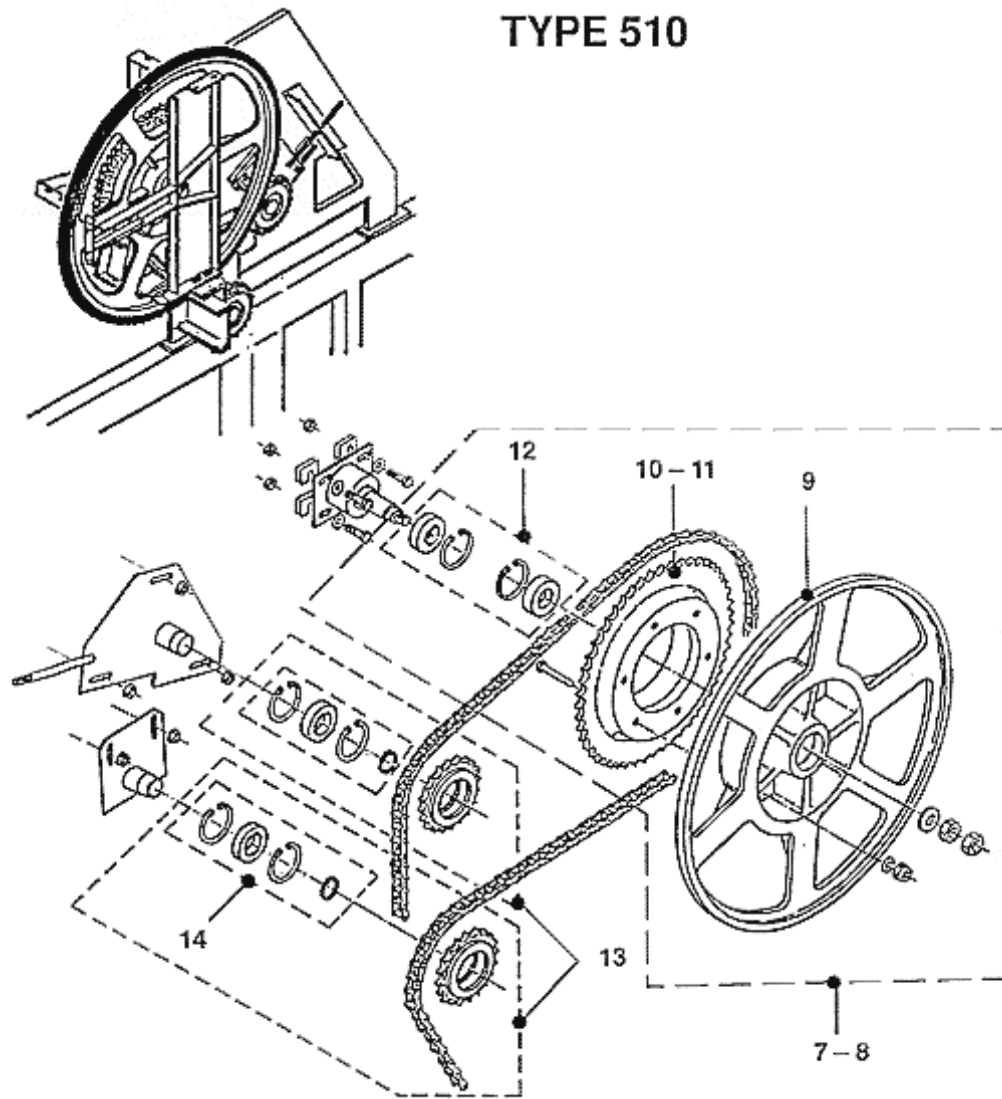
Page 1



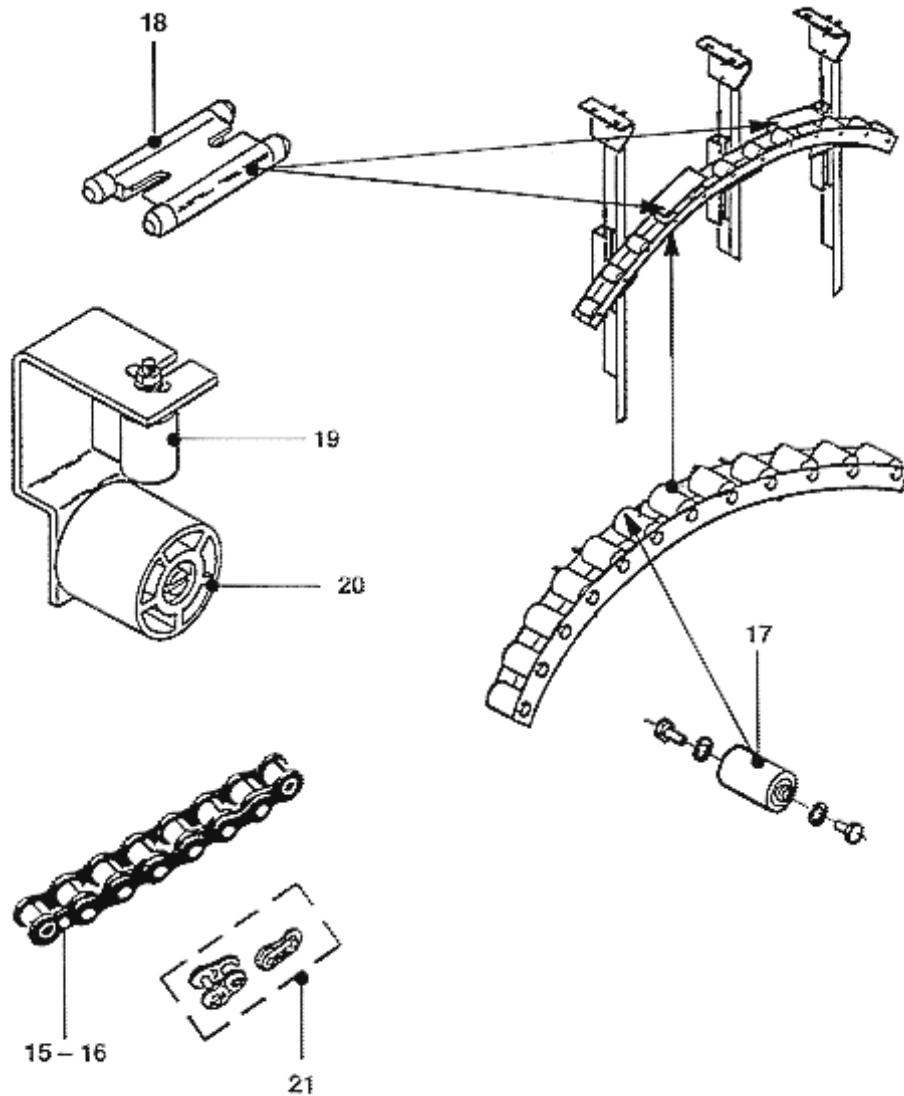
TYPE 516



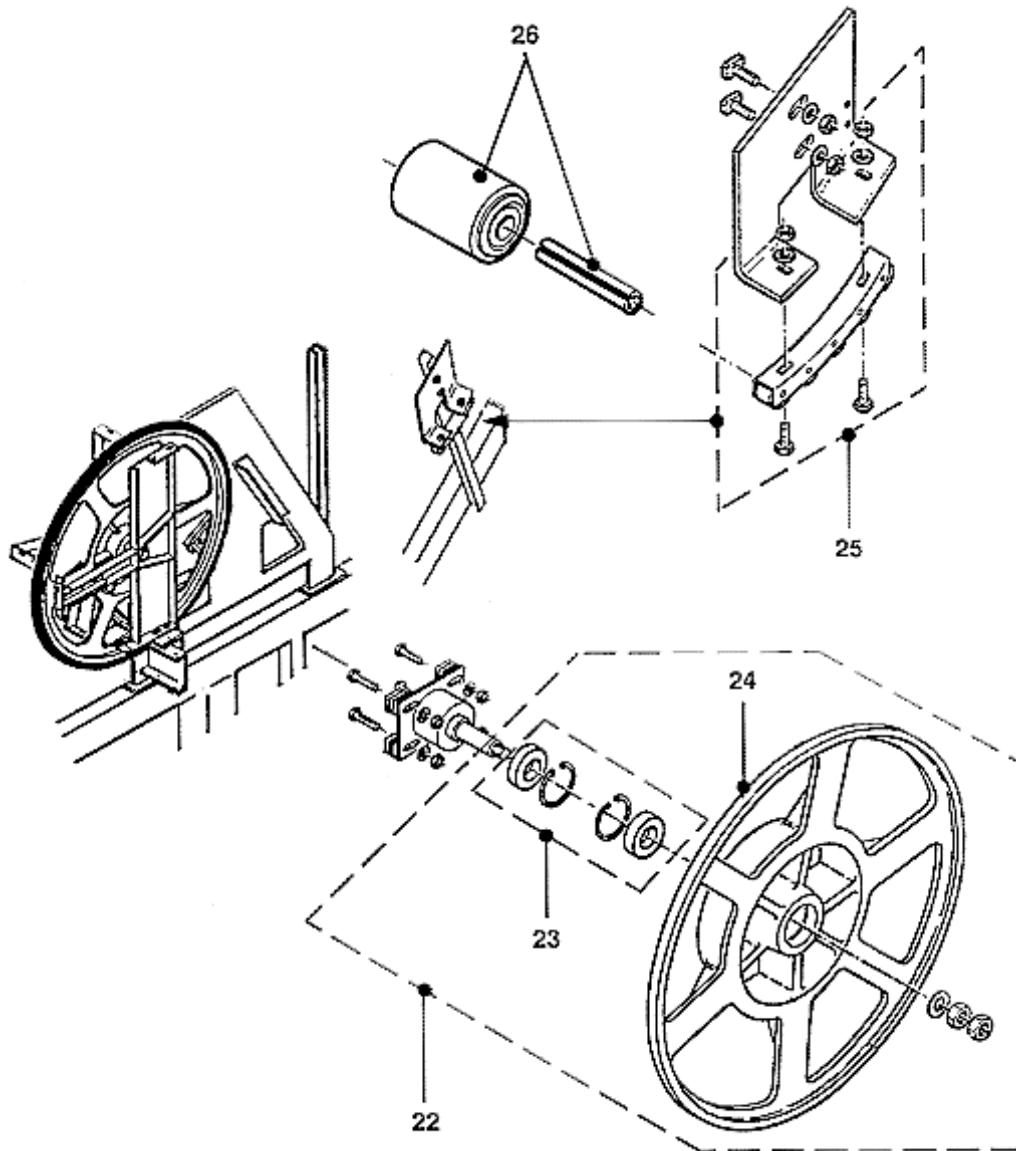
GBA 26180 A		
REF.NO.	PART OR ML	DESCRIPTION
1	GO2215AB48	Sheave compl.
2	GAA265AH1	Sheave
3	GAA195MF11	Sprocket
4	GO2215AB49	Bearing compl.
5	GO2215AB24	Sprocket compl.
6	GO2215AB25	Bearing compl.



GBA 26180 A		
REF.NO.	PART OR ML	DESCRIPTION
7	GO2215AB51	Sheave compl.
8	GO2215AB52	Sheave compl. only for 1 machine and 1 gear
9	GAA265AH1	Sheave
10	GAA195MK1	Sprocket
11	GAA195MK2	Sprocket only for 1 machine and 1 gear
12	GO2215AB49	Bearing compl.
13	GO2215AB24	Sprocket compl.
14	GO2215AB25	Bearing compl.



GBA 26180 A		
REF.NO.	PART OR ML	DESCRIPTION
15	GO332P29	Driving chain (16-1) è TYPE 516
16	GO332P31	Driving chain (16-1) èTYPE 510
17	GO2215AB29	Roller With Hardware for fastening
18	GO2215AB8	Handrail guide w Hardware for fastening
19	GO335FB1	Roller
20	GO2215AB7	Roller
21	GO2215AB4	Offset-/Connecting Link



GBA 26180 A		
REF.NO.	PART OR ML	DESCRIPTION
22	GO2215AB50	Sheave compl.
23	GO2215AB49	Bearing compl.
24	GAA265AH2	Sheave
25	GO2215P6	Roller support moulding w Hardware for fastening
26	GO2215P4	Roller With sleeve