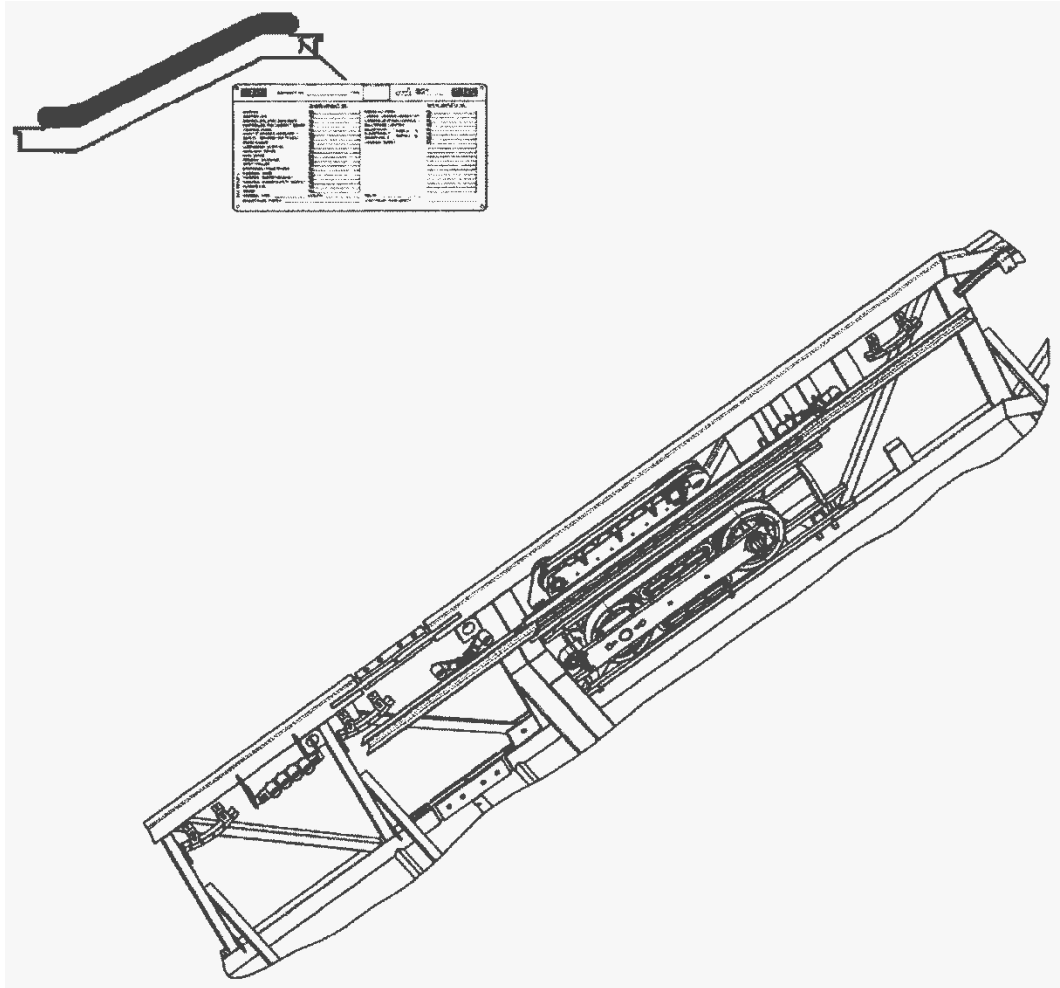


# **NEXTSTEP™ Handrail Drive**

## **Spare Parts Leaflet 55-GAA26180AC**

**March 26, 2008 / Page 1 of 5**



# **OTIS**

**SERVICE ENGINEERING  
Otis Elevator Company  
SIT GUANGZHOU**

Unpublished Work—©Otis Elevator Co., 2013

**Leaflet Description**

NEXTSTEP™ Handrail Drive

**Leaflet Revisions**

<b>Date Revised</b>	<b>Subject Matter Expert</b>	<b>Reason for Revision</b>
April 7, 2004	Chen, Zheng	Release
June 30, 2004	Chen, Zheng	Revised
January 20, 2006	Chen, Zheng	Correct error: GAA198BA1 should be GAA198AY1 (pulley) on p. 3
April 23, 2007	Chen, Zheng	Spare part 9(Ref. No. 7) added: Part No. Ref. No. 5) corrected
November 09, 2007	Chen, Zheng	GAA316CRG1 added on page 3; GAA26180AA1 & GAA26180AA2 added on page 5
March 26, 2008	Chen, Zheng	Description of Ref. 1 & 2 corrected

**Related Drawings**

<b>Drawing No.</b>	<b>Title</b>	<b>Drawing No.</b>	<b>Title</b>
GAA26180AC	Handrail Drive		

**Related Documents**

<b>Document ID</b>	<b>Title</b>
BOM GAA26180AC	Handrail Drive

**Subject Matter Expert**

<b>Name</b>	<b>Department</b>
Chen, Zheng	SIT-GUANGZHOU

**About Spare Parts Leaflets...**

This document lists the lowest replaceable units (LRUs) for the standard version of the product. The LRUs are chosen by a team of Otis associates representing engineering and manufacturing.

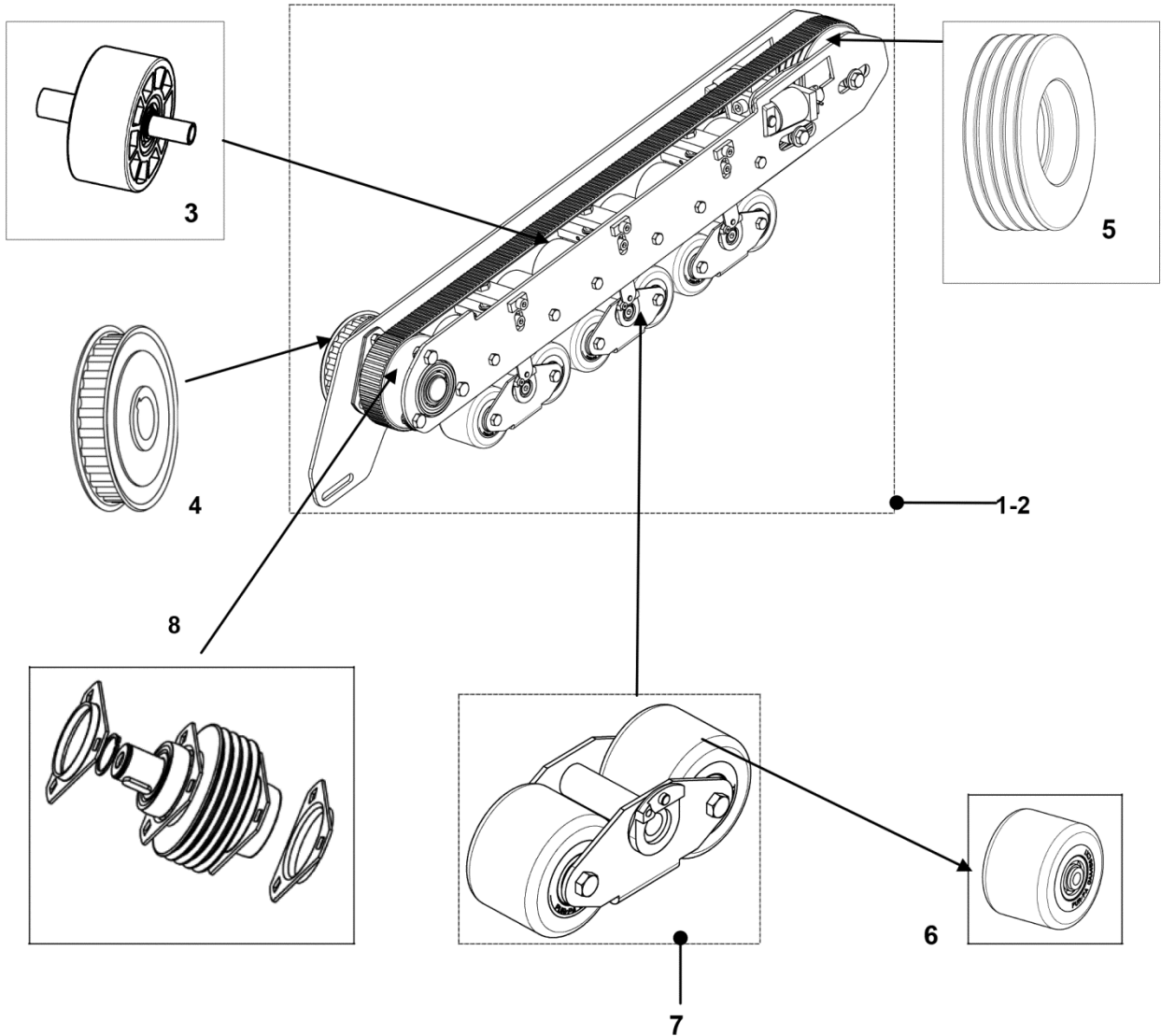
While goal of this document is to make parts identification as easy as possible, the document cannot be all-inclusive. Elevator and escalator contracts classified as “special” or “custom” are not addressed here. For such contracts, please refer to specified information, the contract folder, TIPs, Field Education Articles, Construction Letters, etc. for further information.

If you have any suggestions about this document, please contact the subject matter expert listed on this page.

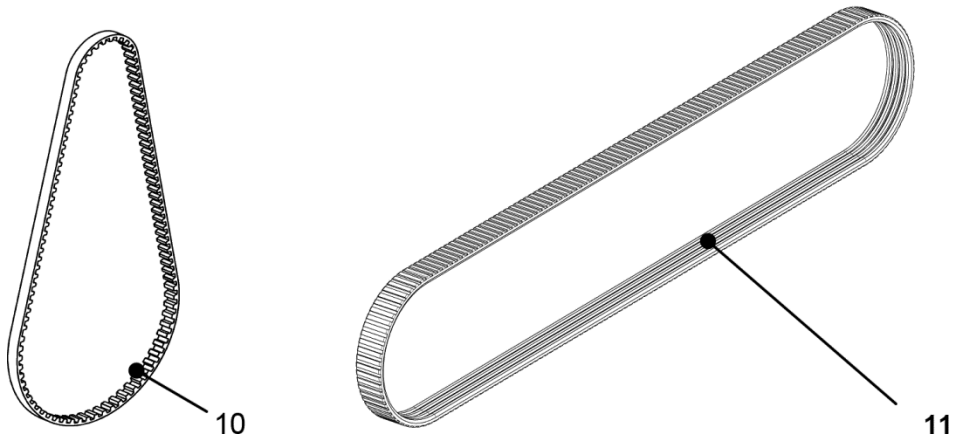
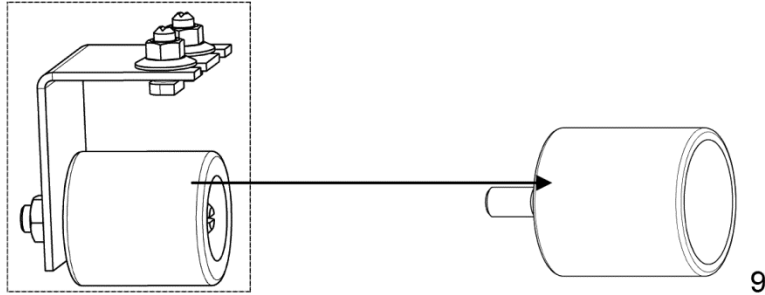
# NEXTSTEP™ Handrail Drive

**55-GAA26180AC**

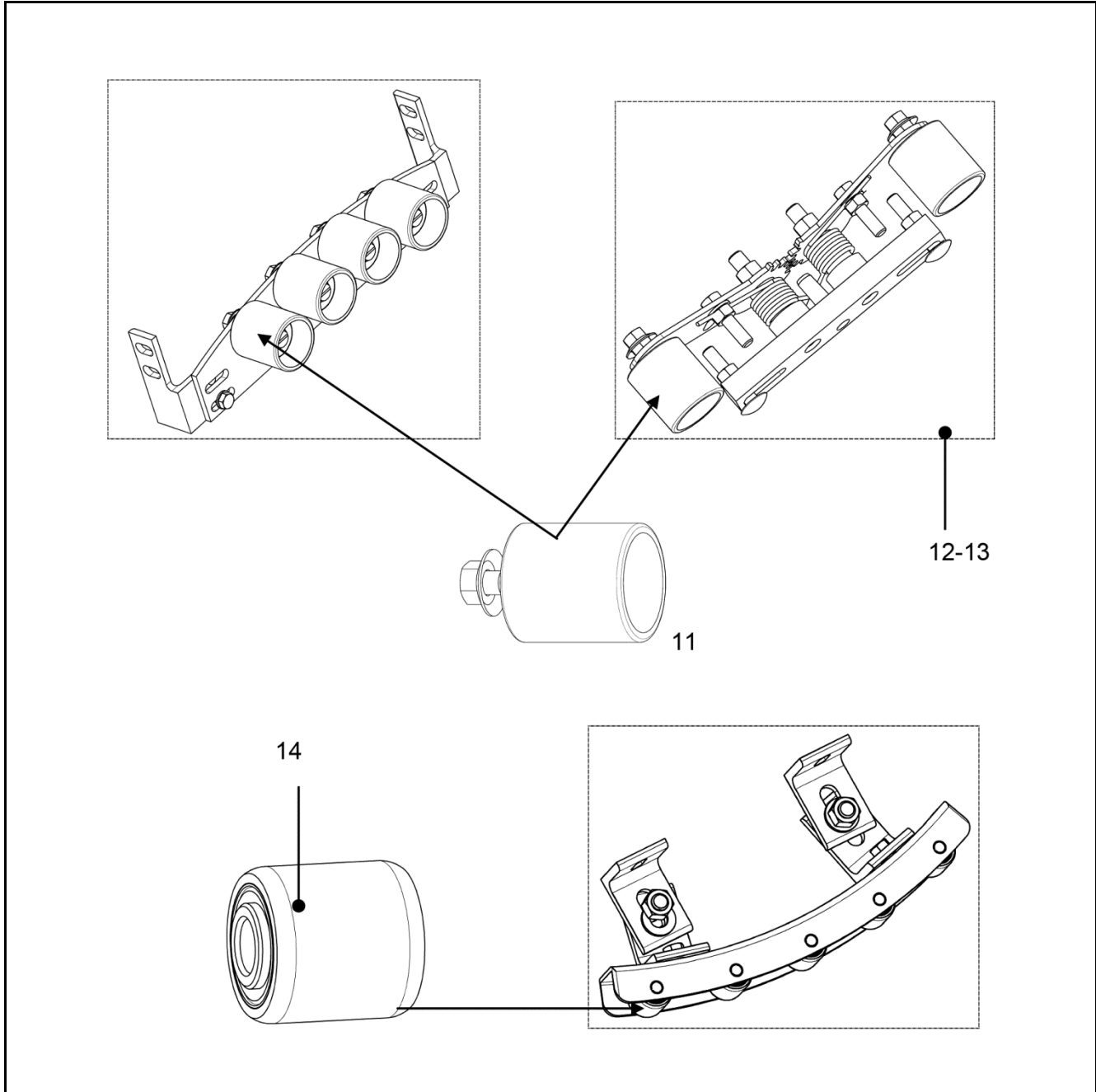
Handrail Drive Module, left side shown



REF. No.	GAA26180AH PART No. OR ML	DESCRIPTION
1	GAA26180AH1	Handrail Drive Module, Left
2	GAA26180AH2	Handrail Drive Module, Right
3	GAA456EC1	Roller
4	GAA198AY1	Pulley
5	GAA198BA1	V-Belt Pulley
6	GAA456EB1	Pressure Roller
7	GAA316CRG1	Roller Pair
8	DAA26180G1	Pulley subassembly



<b>GAA26180AC</b>		
<b>REF. No.</b>	<b>PART No.</b>	<b>DESCRIPTION</b>
9	GAA456DG10	Handrail Tension Roller
10	GAA717T1	Toothed Belt
11	GCA717D1	V-Belt



<b>GAA26180AC</b>		
<b>REF. No.</b>	<b>PART No.</b>	<b>DESCRIPTION</b>
11	GAA456DG12	Roller for the Roller Bow & handrail Length Compensation
12	GAA26180AA1	Handrail Length Compensation Device, For 30°
13	GAA26180AA2	Handrail Length Compensation Device, For 35°
14	GAA456AY1	Roller for the Stand