



**512NCE/515NPE-S/515NPE-L  
ESCALATOR  
55 – GAA26180AR**

**History**

**Leaflet Description**

Handrail drive device for 512NCE/515NPE-S/515NPE-L

**Leaflet Revisions**

<b>Date Revised</b>	<b>Subject Matter Expert</b>	<b>Reason for Revision</b>
2007-09-04	Wu, Muke	Release
2008-06-20	Wu, Muke	Add roller GAA456CD3 as a LRU, see Ref. No. 6.
2009-05-05	Wu, Muke	Change product name, add parts GAA50ANT & DAA332L3, delete part DAA332L1 on page 7.
2010-11-18	Wu, Muke	SPL code "57" changed to "55".

**Related Drawings**

<b>Drawing No.</b>	<b>Title</b>	<b>Drawing No.</b>	<b>Title</b>
GAA26180AR	Handrail Drive Device		

**Related Documents**

<b>Document ID</b>	<b>Title</b>
BOM GAA26180AR	Handrail Drive Device

**Subject Matter Expert**

<b>Name</b>	<b>Department</b>
Wu, Muke	SIT-Guangzhou

**About Spare Parts Leaflets...**

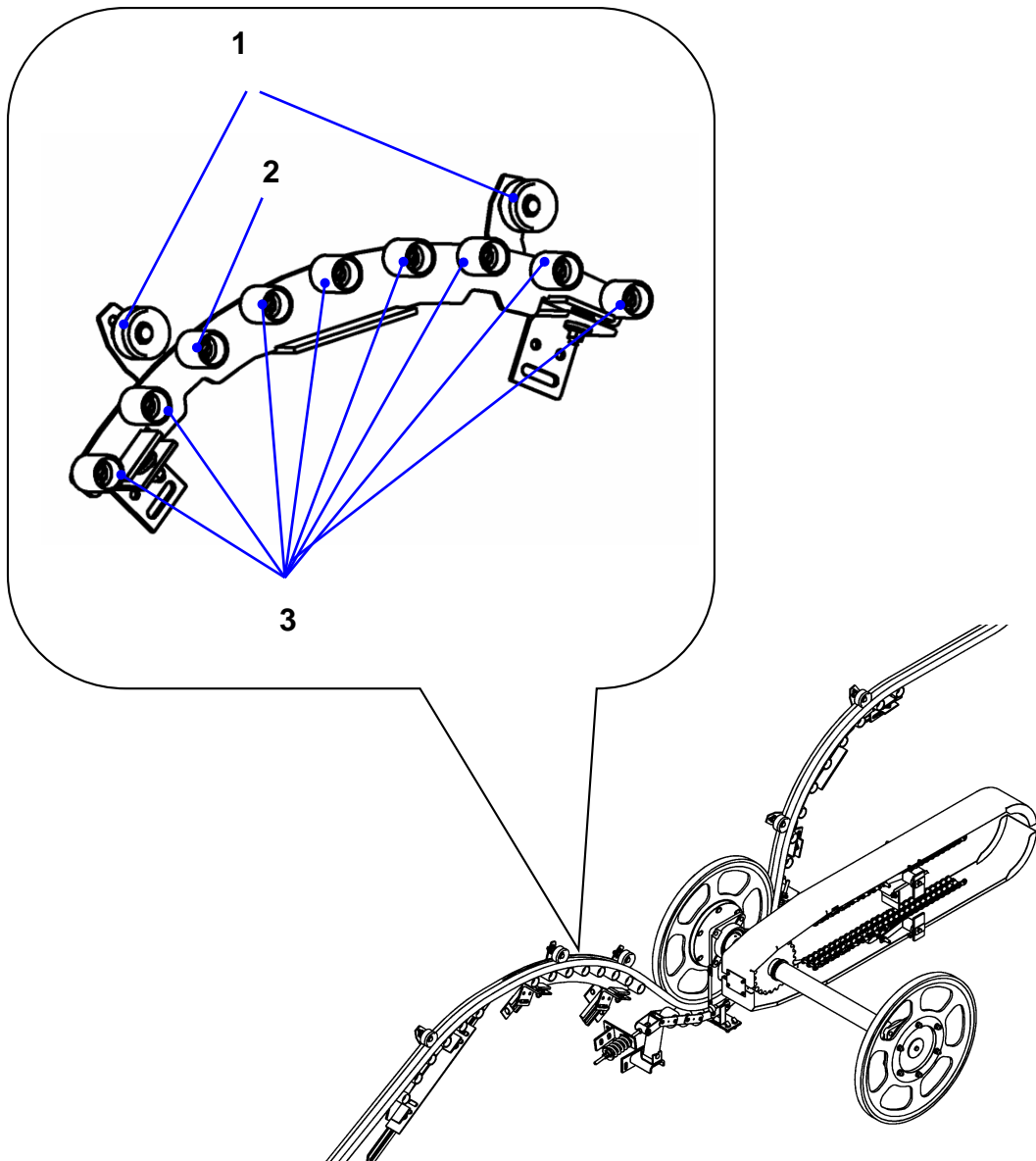
This document lists the lowest replaceable units (LRUs) for the standard version of the product. The LRUs are chosen by a team of Otis associates representing engineering and manufacturing.

While goal of this document is to make parts identification as easy as possible, the document cannot be all-inclusive. Elevator and escalator contracts classified as "special" or "custom" are not addressed here. For such contracts, please refer to specified information, the contract folder, TIPs, Field Education Articles, Construction Letters, etc. for further information.

If you have any suggestions about this document, please contact the subject matter expert listed on this page.

**512NCE/515NPE-S/515NPE-L  
ESCALATOR  
HANDRAIL DRIVE DEVICE**

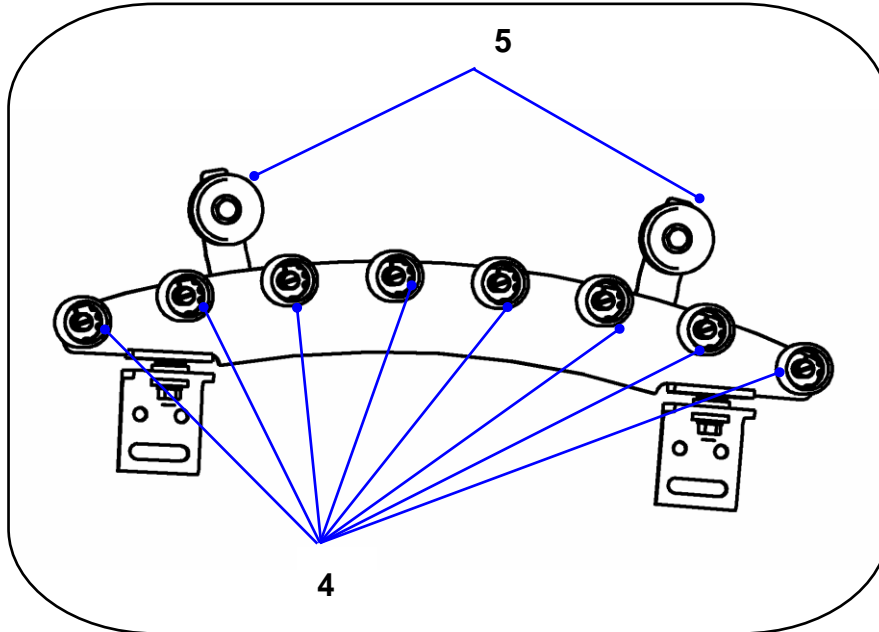
**55 - GAA26180AR**



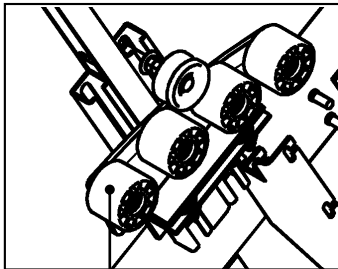
GAA26180AR		
REF. No.	PART No.	DESCRIPTION
1	GAA456DH1	Roller
2	GAA456DG11	Roller Antistatic Roller
3	GAA456DG10	Roller

**55 - GAA26180AR**

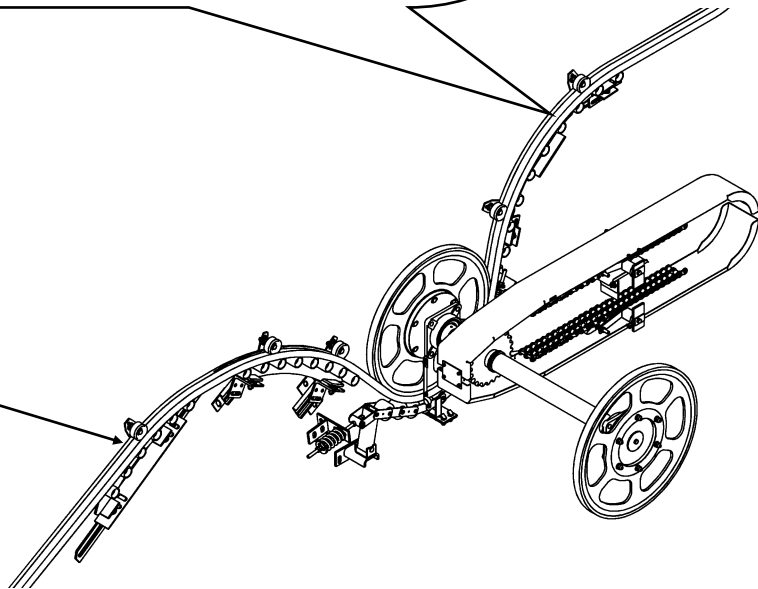
**512NCE/515NPE-S/515NPE-L  
ESCALATOR  
HANDRAIL DRIVE DEVICE**



Roller Bow V 2



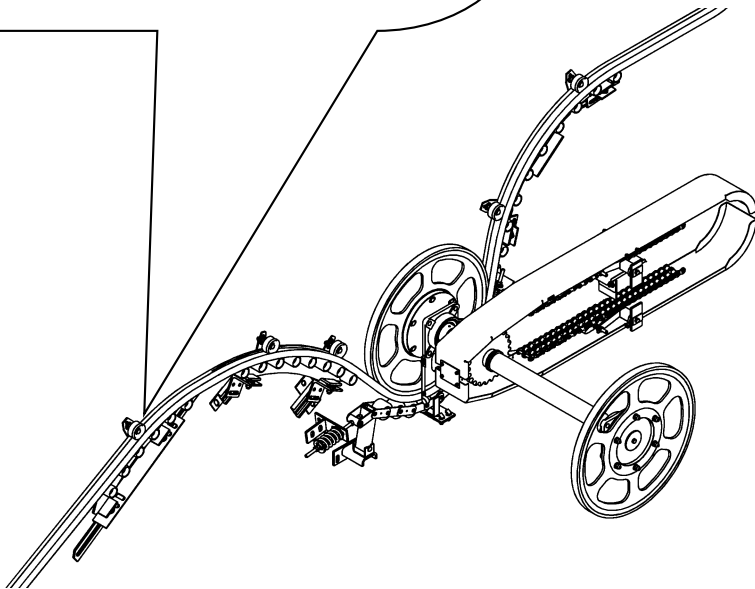
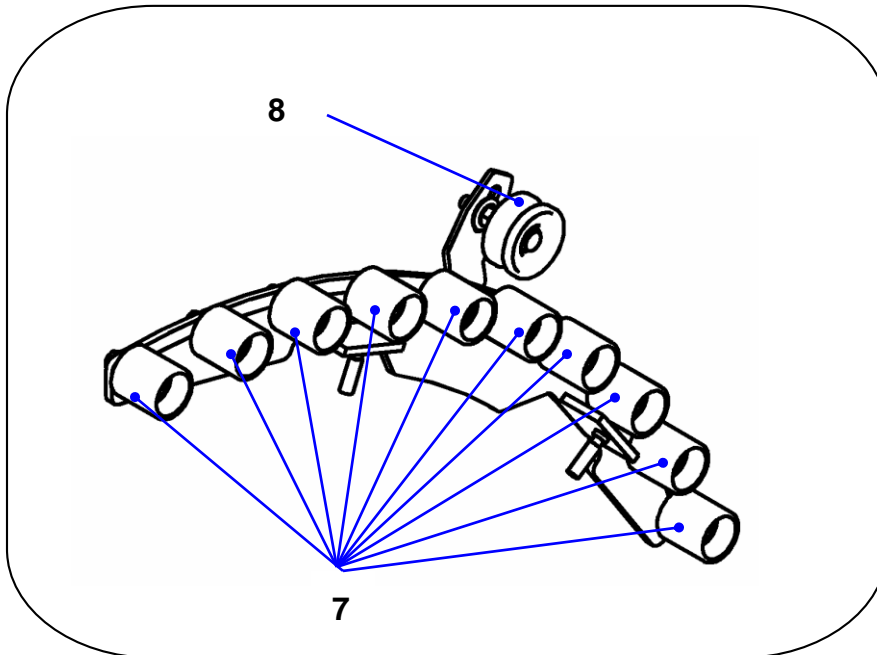
6



GAA26180AR		
REF. No.	PART No.	DESCRIPTION
4	GAA456DG10	Roller
5	GAA456DH1	Roller
6	GAA456CD3	Roller For Roller Bow Version 2

**512NCE/515NPE-S/515NPE-L  
ESCALATOR  
HANDRAIL DRIVE DEVICE**

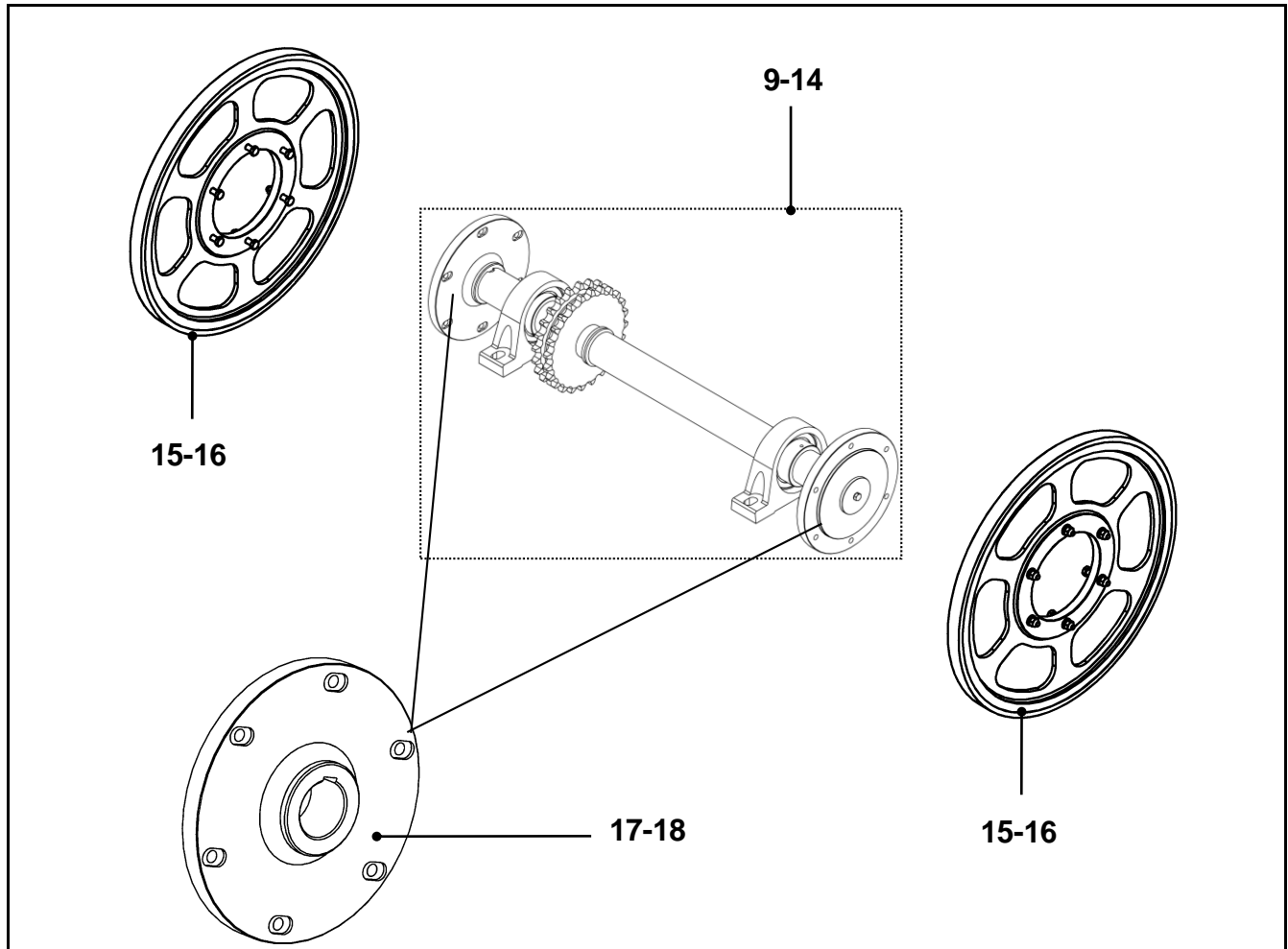
**55 - GAA26180AR**



<b>GAA26180AR</b>		
<b>REF. No.</b>	<b>PART No.</b>	<b>DESCRIPTION</b>
7	GAA456DG10	Roller
8	GAA456DH1	Roller

**55 - GAA26180AR**

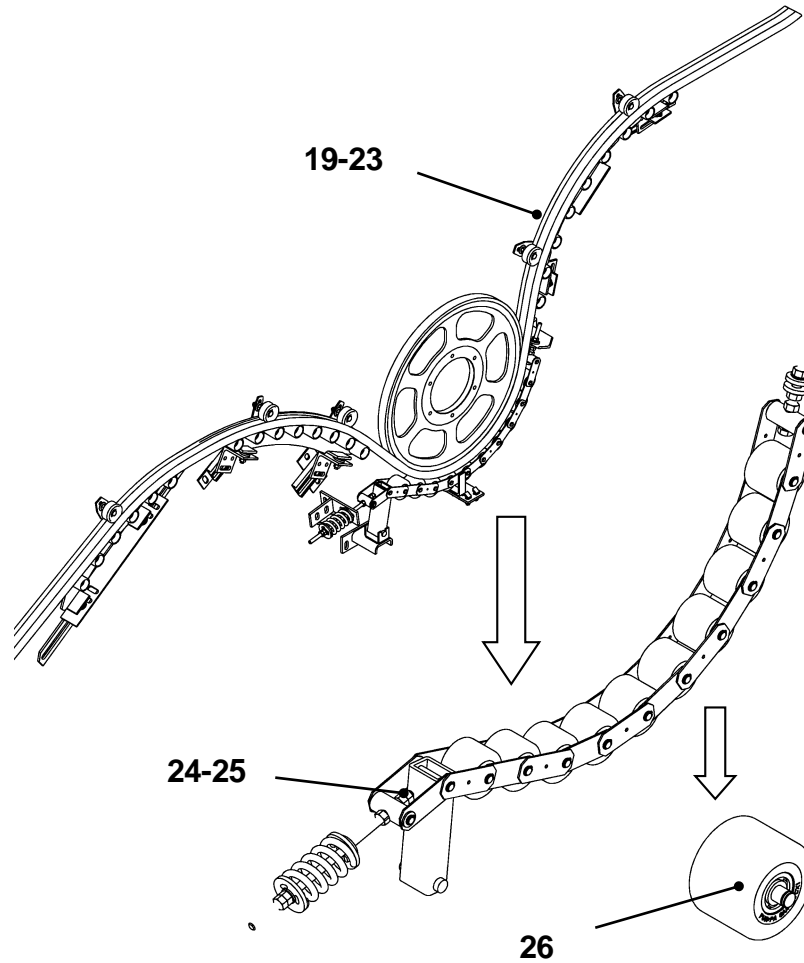
**512NCE/515NPE-S/515NPE-L  
ESCALATOR  
HANDRAIL DRIVE DEVICE**



<b>GAA26180AR</b>			
<b>REF. No.</b>	<b>PART No.</b>	<b>DESCRIPTION</b>	
9	GAA494NR1	Handrail Shaft Assembly	Type 1000, GAA26FB "A"
10	GAA494NR2	Handrail Shaft Assembly	Type 800, GAA26FB "A"
11	GAA494NR3	Handrail Shaft Assembly	Type 600, GAA26FB "A"
12	GAA494NR11	Handrail Shaft Assembly	Type 1000, GAA26FB "B"
13	GAA494NR12	Handrail Shaft Assembly	Type 800, GAA26FB "B"
14	GAA494NR13	Handrail Shaft Assembly	Type 600, GAA26FB "B"
15	GAA265AT1	Sheave	Indoor
16	GAA265AL4	Sheave	Outdoor
17	GAA127JL1	Washer	Indoor
18	GAA127JL11	Washer	Outdoor

**512NCE/515NPE-S/515NPE-L  
ESCALATOR  
HANDRAIL DRIVE DEVICE**

**55 - GAA26180AR**



<b>GAA26180AR</b>		
<b>REF. No.</b>	<b>PART No.</b>	<b>DESCRIPTION</b>
19	GO50AEX	Handrail Black, Indoor
20	GO50AEY	Handrail Colored, Indoor
21	GO50AEV	Handrail Black, Outdoor
22	GO50AEW	Handrail Colored, Outdoor
23	GAA50ANT1	Handrail EHC NT2000
24	DAA332L2	Chain 2 Flat Steps
25	DAA332L3	Chain 3/4 Flat Step
26	GAA456CX3	Roller