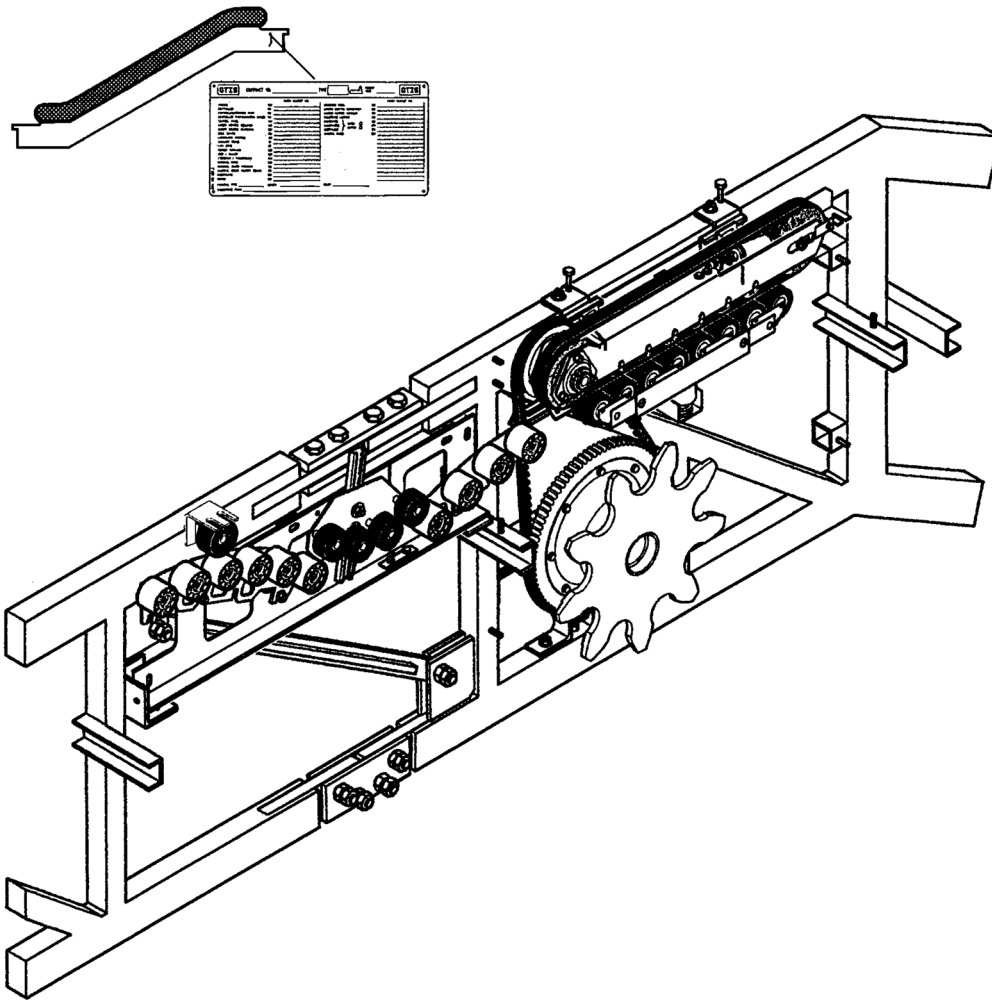


**Escalator 506NCE
Handrail Drive
(Linear Belt)**

Spare Parts Leaflet

55-GAA26180D

11/01/2002 / Page 1 of 10



Unpublished Work—© Otis Elevator Co.; 2002

OTIS

Safety First!

ENGINEERING
Otis Escalator Systems
Stadthagen, Germany

Leaflet Description

The Handrail Drive has got GBA26180D-Version. The Handrail Length Compensator has got additional a GBA26230A-Version, because in opposite to the GAA26230A-Version the Rollers are other Types.

Leaflet Revisions

Date Revised	Subject Matter Expert	Reason for Revision
June 20, 2002	Wilfried Gohlke	Belt has changed from GBA717D to GCA717D

Related Drawings

Drawing No.	Title	Drawing No.	Title
GBA26180A	Escalator Handrail Drive	GCA717D	Belt
	Linear Belt	GAA_/GBA26230A	Escal. Handrail length compensator device

Related Documents

Document ID	Title
Type & No.	Title

Subject Matter Expert

Name	Department
Margarete Solbach	Engineering Stadthagen, Germany

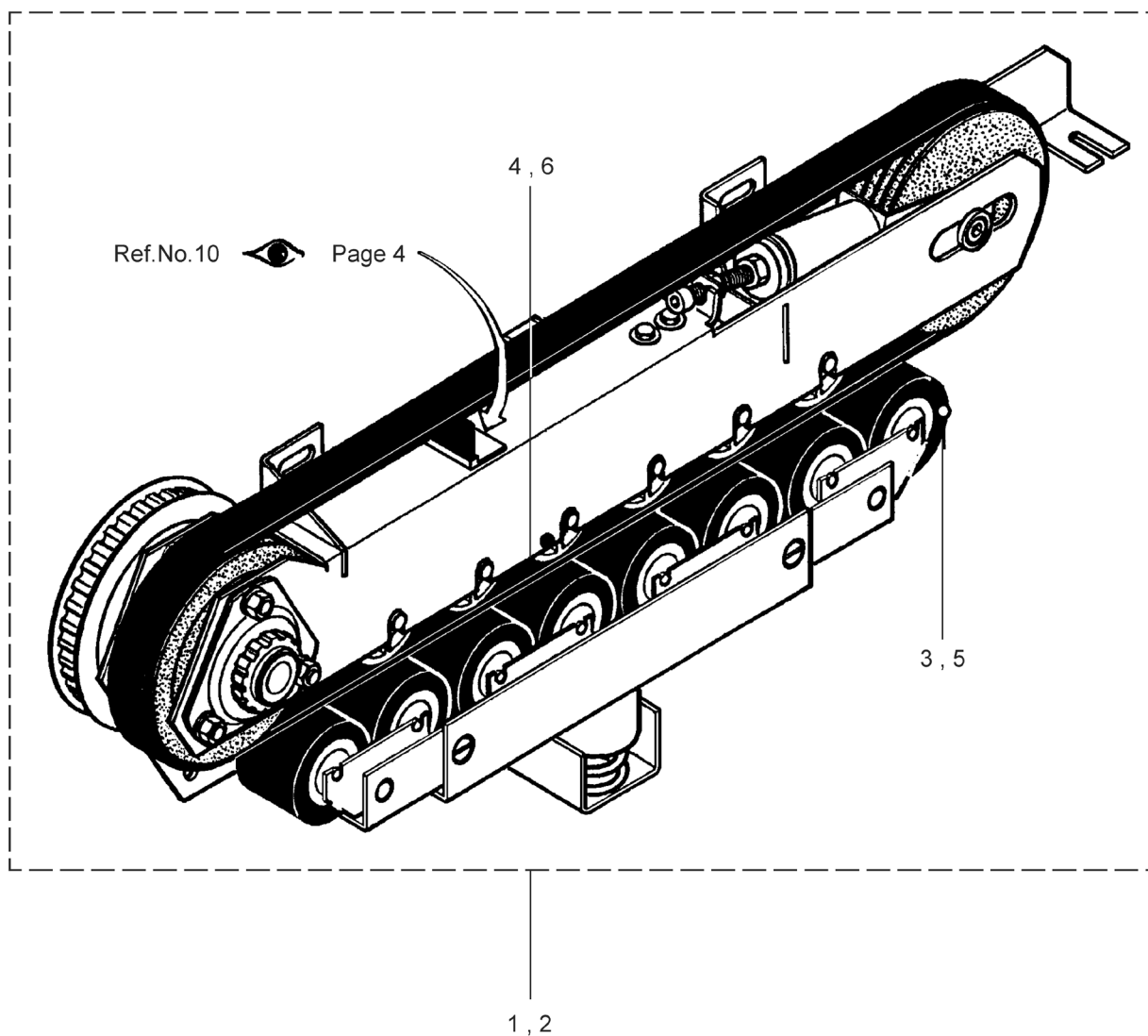
About Spare Parts Leaflets...



This document lists the lowest replaceable units (LRUs) for the standard version of the product. The LRUs are chosen by a team of Otis associates representing engineering and manufacturing.

While goal of this document is to make parts identification as easy as possible, the document cannot be all-inclusive. Elevator and escalator contracts classified as "special" or "custom" are not addressed here. For such contracts, please refer to specified information, the contract folder, TIPs, Field Education Articles, Construction Letters, etc. for further information.

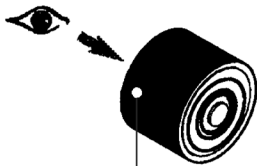
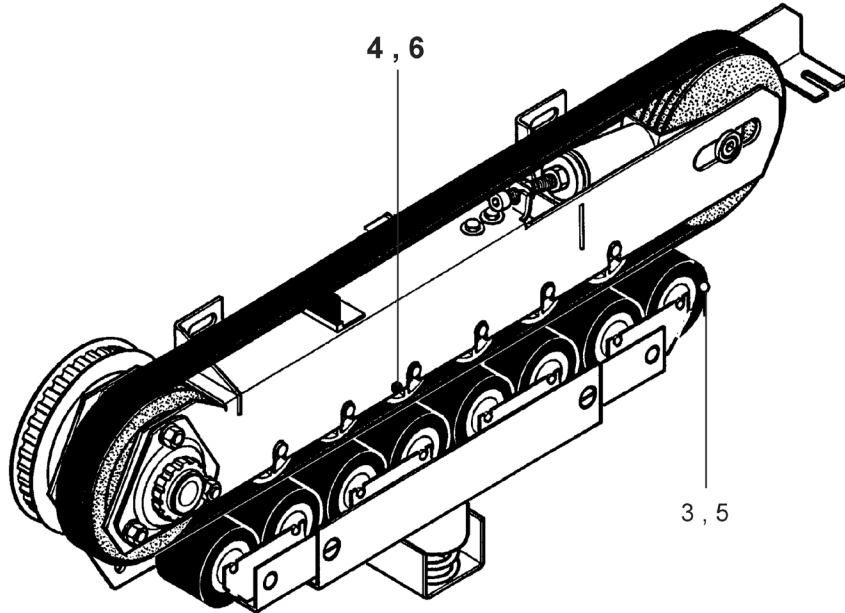
If you have any suggestions about this document, please contact the subject matter expert listed on this page.

Handrail Drive (Linear Belt)

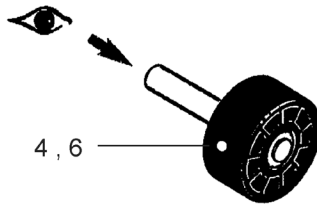


GBA26180D		
REF. No.	PART No.	DESCRIPTION
1	GAA26180D1	Handrail drive, linear belt 
	GAA26180D101	
	GBA26180D1	
2	GAA26180D2	Handrail drive, linear belt 
	GAA26180D102	
	GBA26180D2	

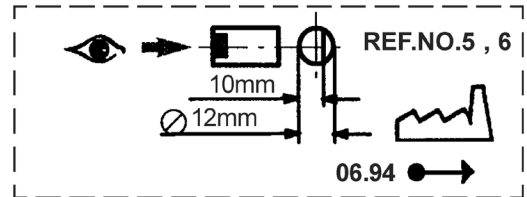
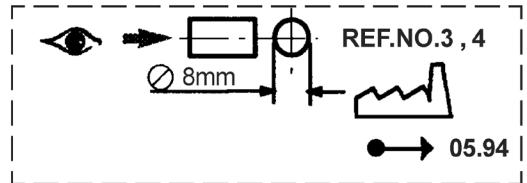
**Escalator 506 NCE
Handrail Drive (Linear Belt)**



3, 5



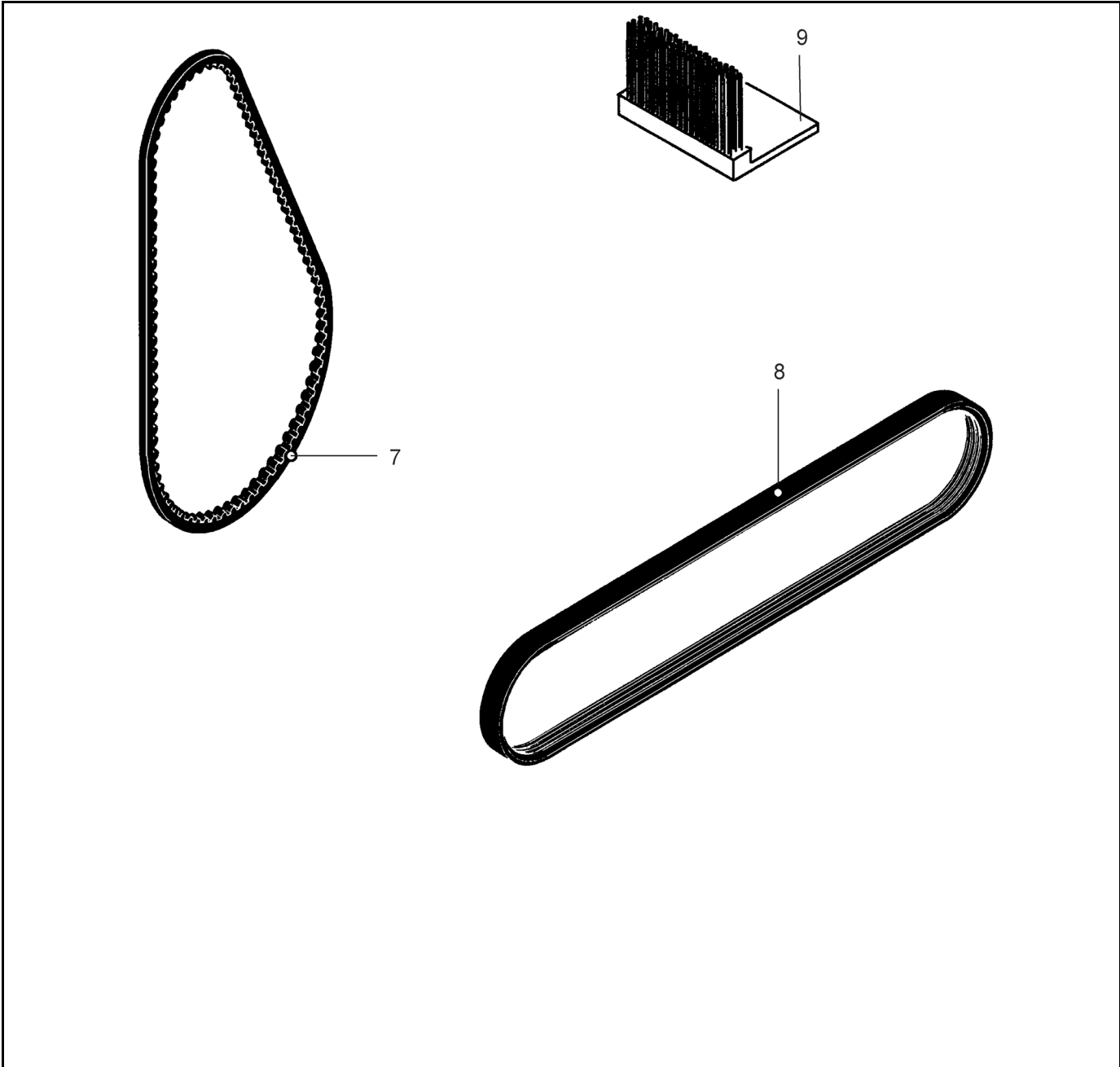
4, 6



GBA26180D		
REF. No.	PART No.	DESCRIPTION
3	GAA456CS1	Roller
4	GAA456CV1	Roller
5	GAA456CY1 GAA456CX2	Roller
6	GAA456CZ1	Roller

Escalator 506 NCE Handrail Drive (Linear Belt)

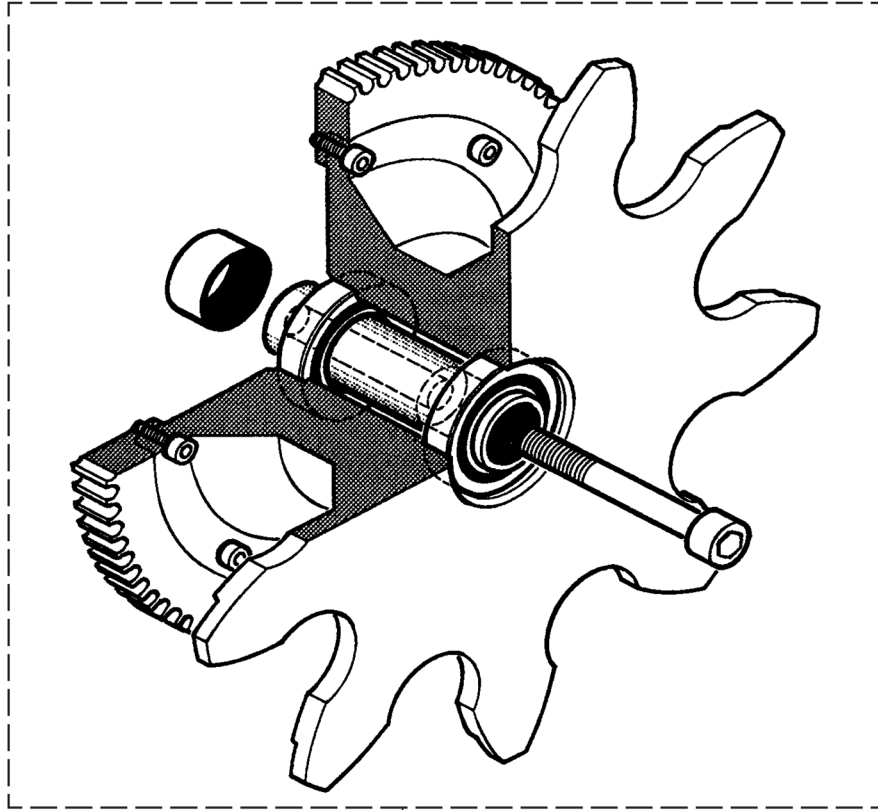
55-GAA26180D



GBA26180D		
REF. No.	PART No.	DESCRIPTION
7	GAA717E1	Belt
8	GAA717D1 GBA717D1 GCA717D1	Belt
9	GAA241E1	Brush

55-GAA26180D

**Escalator 506 NCE
Handrail Drive (Linear Belt)**



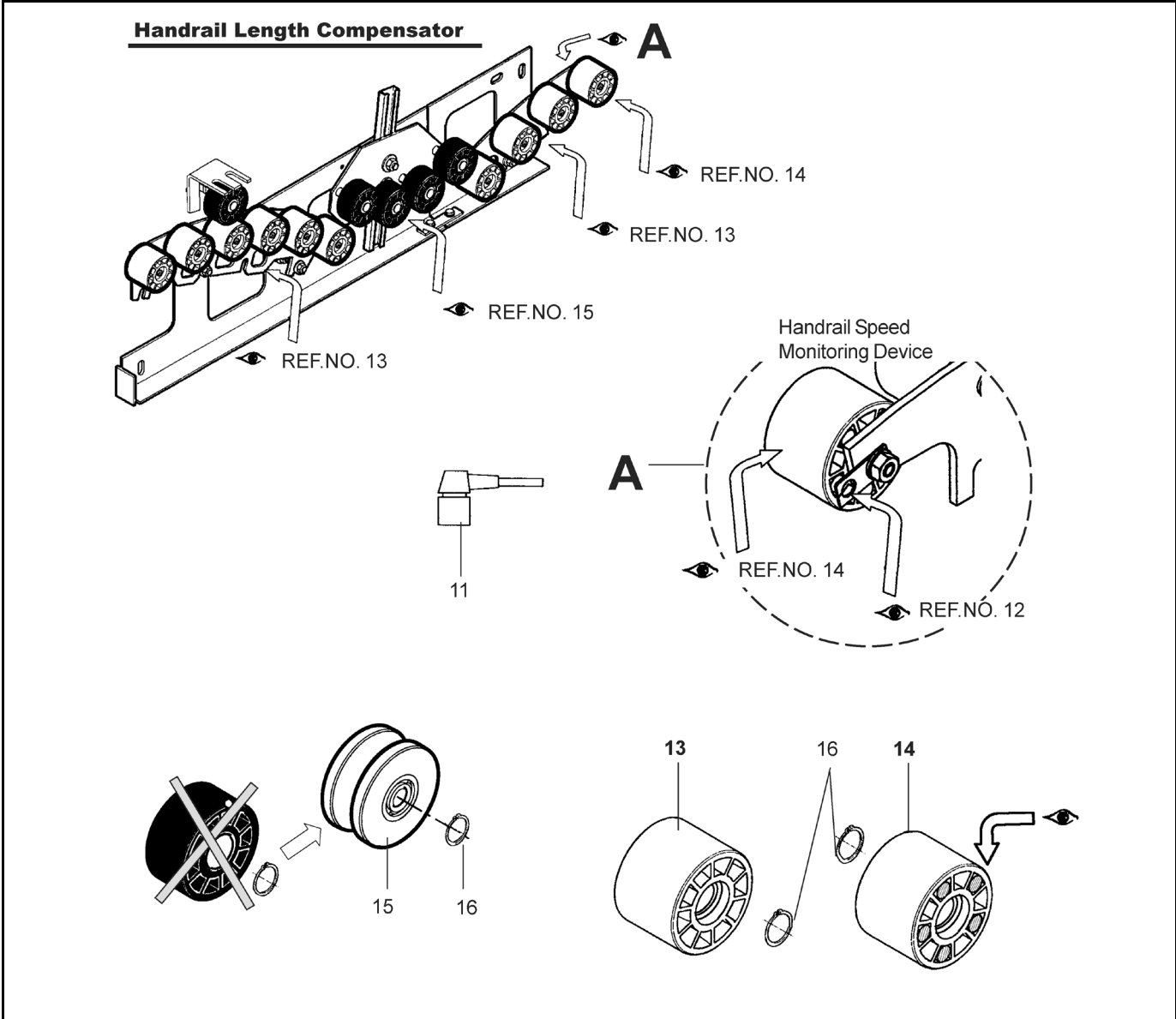
10

REF. No.	PART No.	DESCRIPTION
10	GO2215AB53	Kit: Pin Wheel Gear

Escalator 506 NCE

Handrail Drive (Linear Belt)

55-GAA26180D



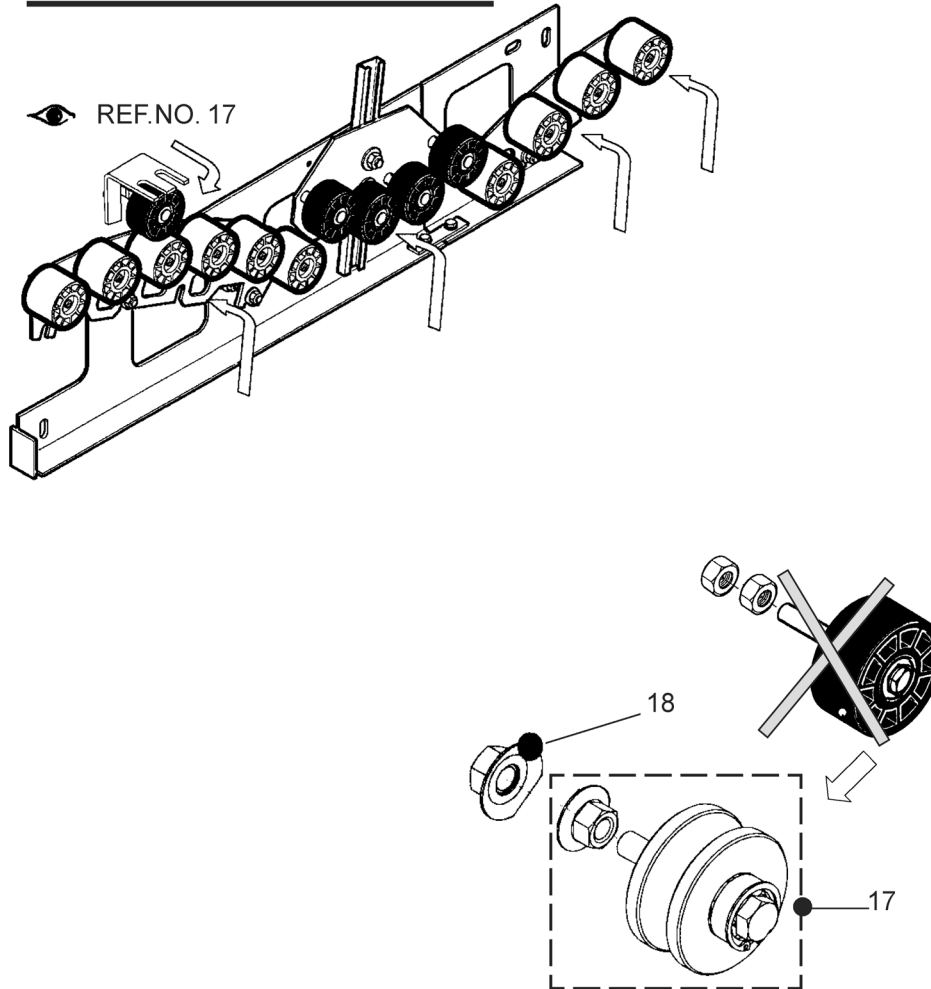
GAA26230A

REF. No.	PART No.	DESCRIPTION
11	GAA174RN1	Cable for GAA608A2
12	GAA608A2	Inductive proximity sensor (M12)
13	GAA456CD3	Roller
14	GAA456CD4	Roller
15	GAA456CM4 GAA456DJ1	Roller

NOTE: GBA26230A page 9-10

**Escalator 506 NCE
Handrail Drive (Linear Belt)**

Handrail Length Compensator



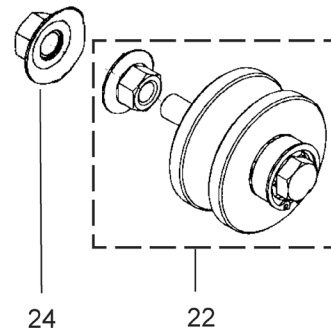
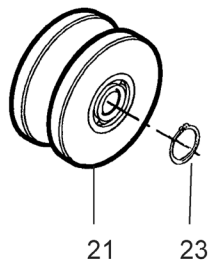
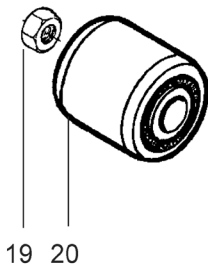
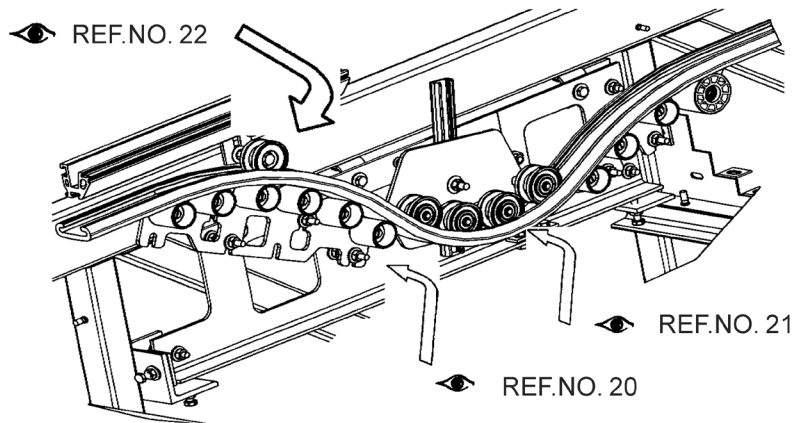
GBA26180D		
REF. No.	PART No.	DESCRIPTION
16	---	Retaining Ring 12x1 DIN 471 - (17202)
17	GO2215AB54 GAA456BM2 GAA456DR3	Roller
18	GAA72BS6	Washer nut

Escalator 506 NCE

55-GAA26180D

Handrail Drive (Linear Belt)

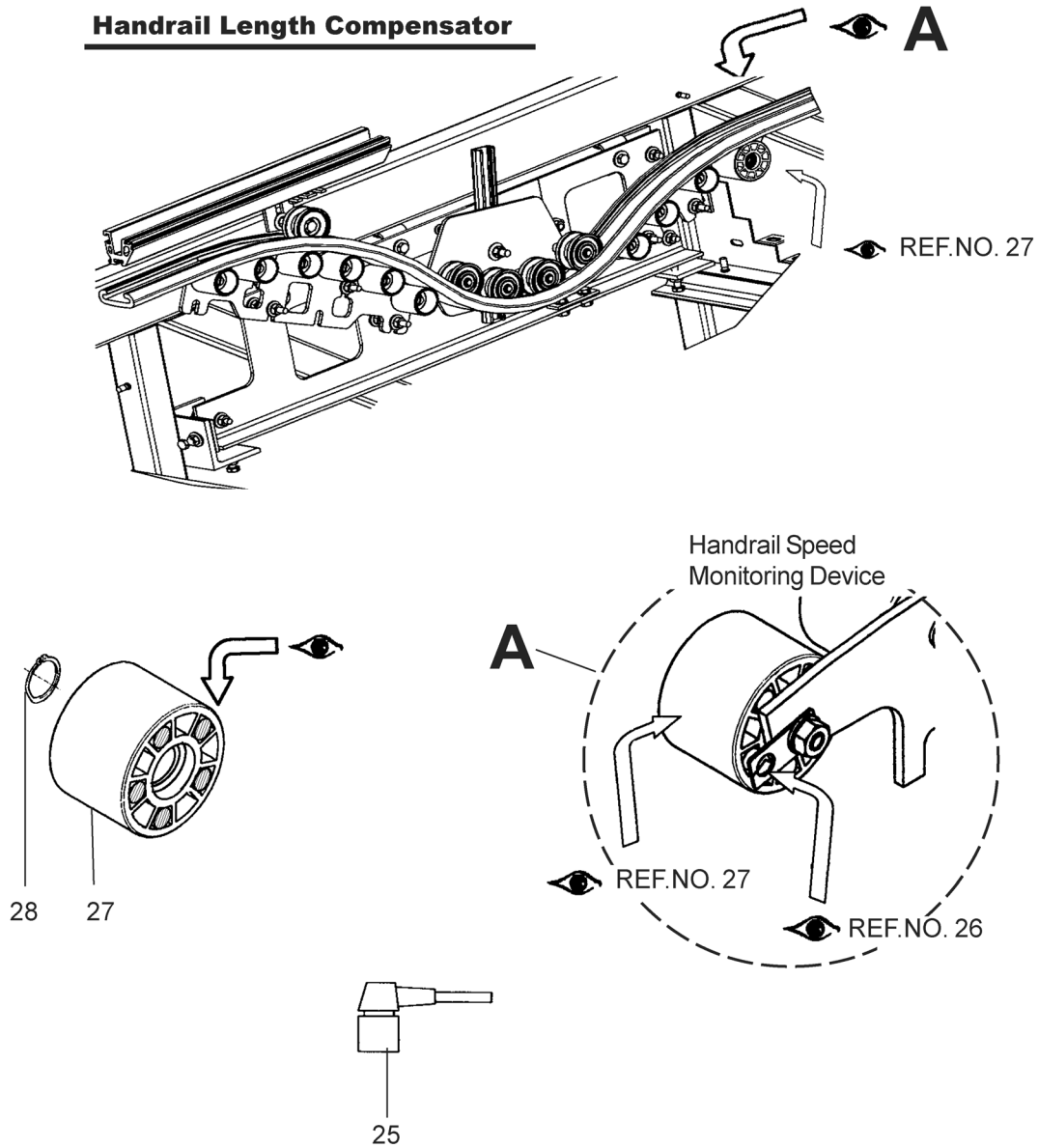
Handrail Length Compensator



GAA26230A		
REF. No.	PART No.	DESCRIPTION
19	---	Hex. Nut, ISO 4032 - M10 - 8 - ZN, (98475)
20	GAA456DG10	Roller
21	GAA456DJ1	Roller
22	GAA456DR3	Roller
23	---	Retaining ring 12x1 DIN 471 - (17202)
24	GAA72BS6	Washer nut

**Escalator 506 NCE
Handrail Drive (Linear Belt)**

Handrail Length Compensator



GBA26180D		
REF. No.	PART No.	DESCRIPTION
25	GAA174RN1	Cable for GAA608A2
26	GAA608A2	Inductive proximity sensor (M12)
27	GAA456CD5	Roller
28	---	Retaining ring 12x1 DIN 471 - (17202)