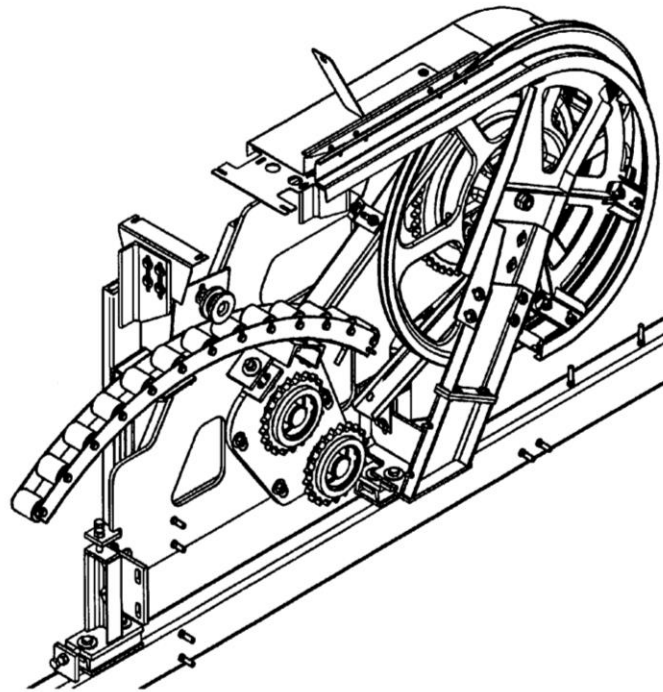
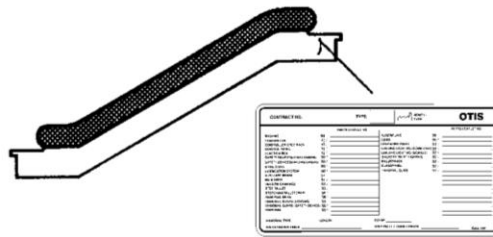


Escalator 513 NPE Handrail Drive

Spare Parts Leaflet

55-GAA26180J

July 1 2003 / Page 1 of 8



Unpublished Work—© Otis Elevator Co.; 2003

OTIS

Safety First!

ENGINEERING

**Otis Escalator Systems
Stadthagen, Germany**

Leaflet Description

This document shows the handrail drive for the escalator with opaque balustrade.

Leaflet Revisions

Date Revised	Subject Matter Expert	Reason for Revision
September 13, 2002	Wilfried Gholke	information added, for better finding
July 10, 2003	Ulrich Harting	Rollers without St. St. Bearings

Related Drawings

Drawing No.	Title	Drawing No.	Title
GAA26180J	Escalator Handrail Drive		

Related Documents

Document ID	Title

Subject Matter Expert

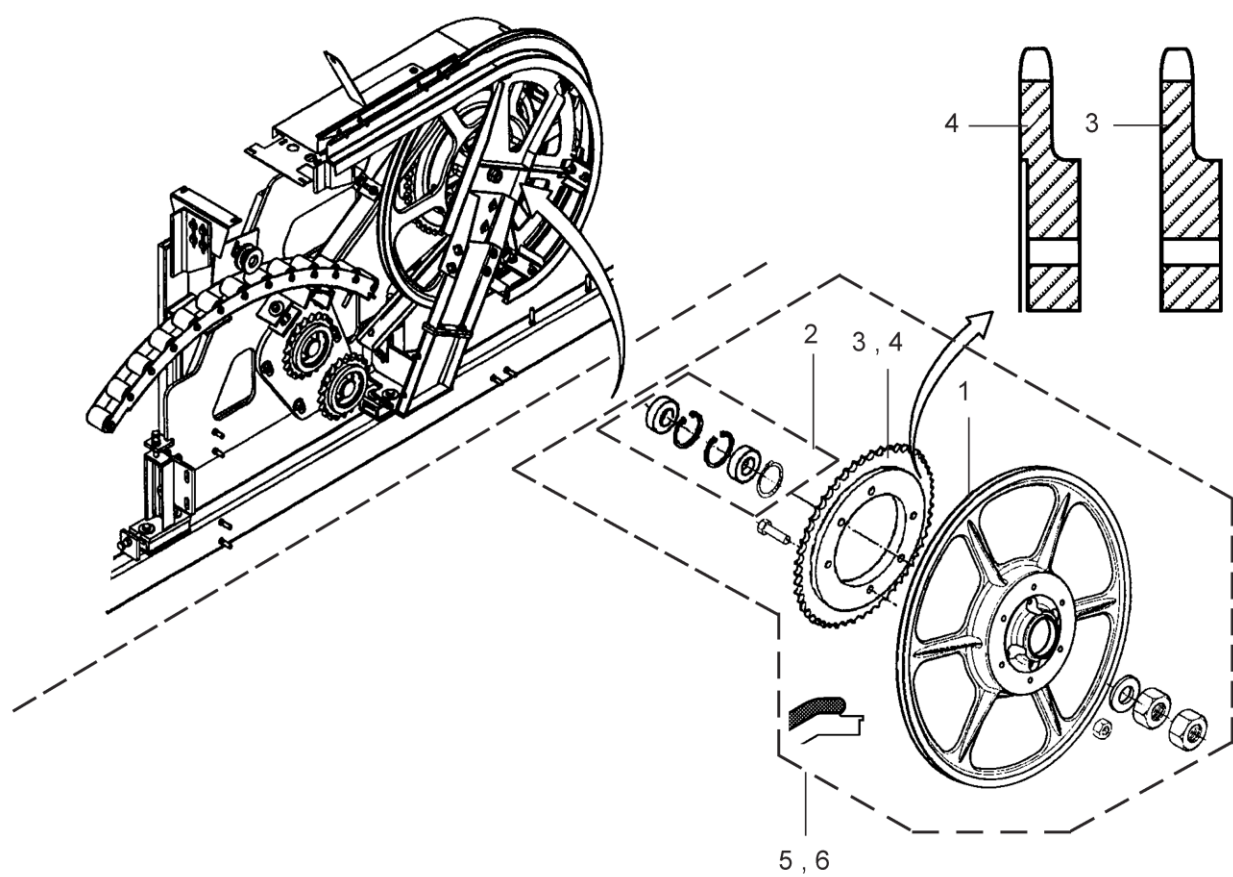
Name	Department
Uli Harting	Engineering Stadthagen, Germany



About Spare Parts Leaflets...

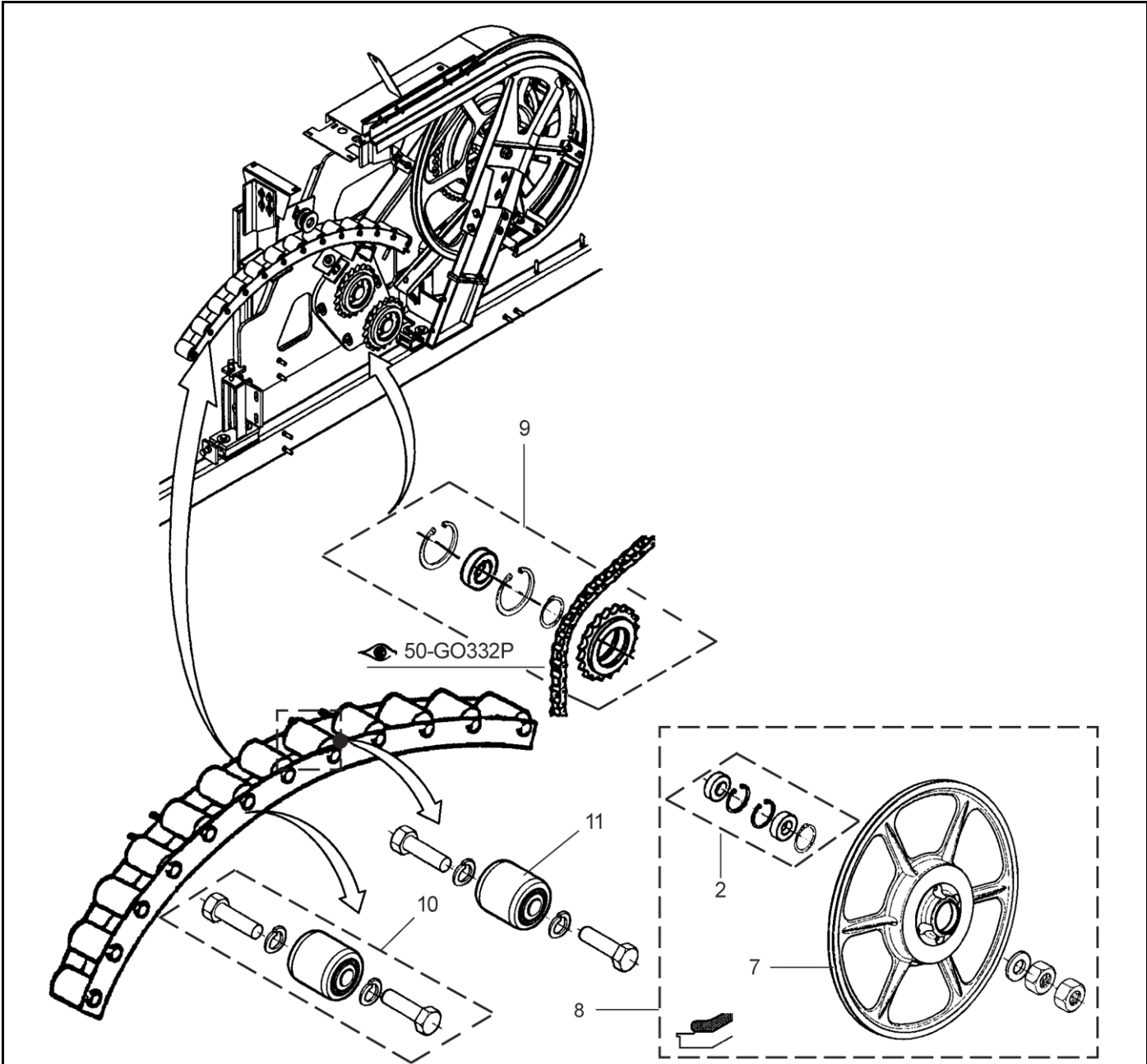
This document lists the lowest replaceable units (LRUs) for the standard version of the product. The LRUs are chosen by a team of Otis associates representing engineering and manufacturing.

While goal of this document is to make parts identification as easy as possible, the document cannot be all-inclusive. Elevator and escalator contracts classified as "special" or "custom" are not addressed here. For such contracts, please refer to specified information, the contract folder, TIPs, Field Education Articles, Construction Letters, etc. for further information.

If you have any suggestions about this document, please contact the subject matter expert listed on this page.

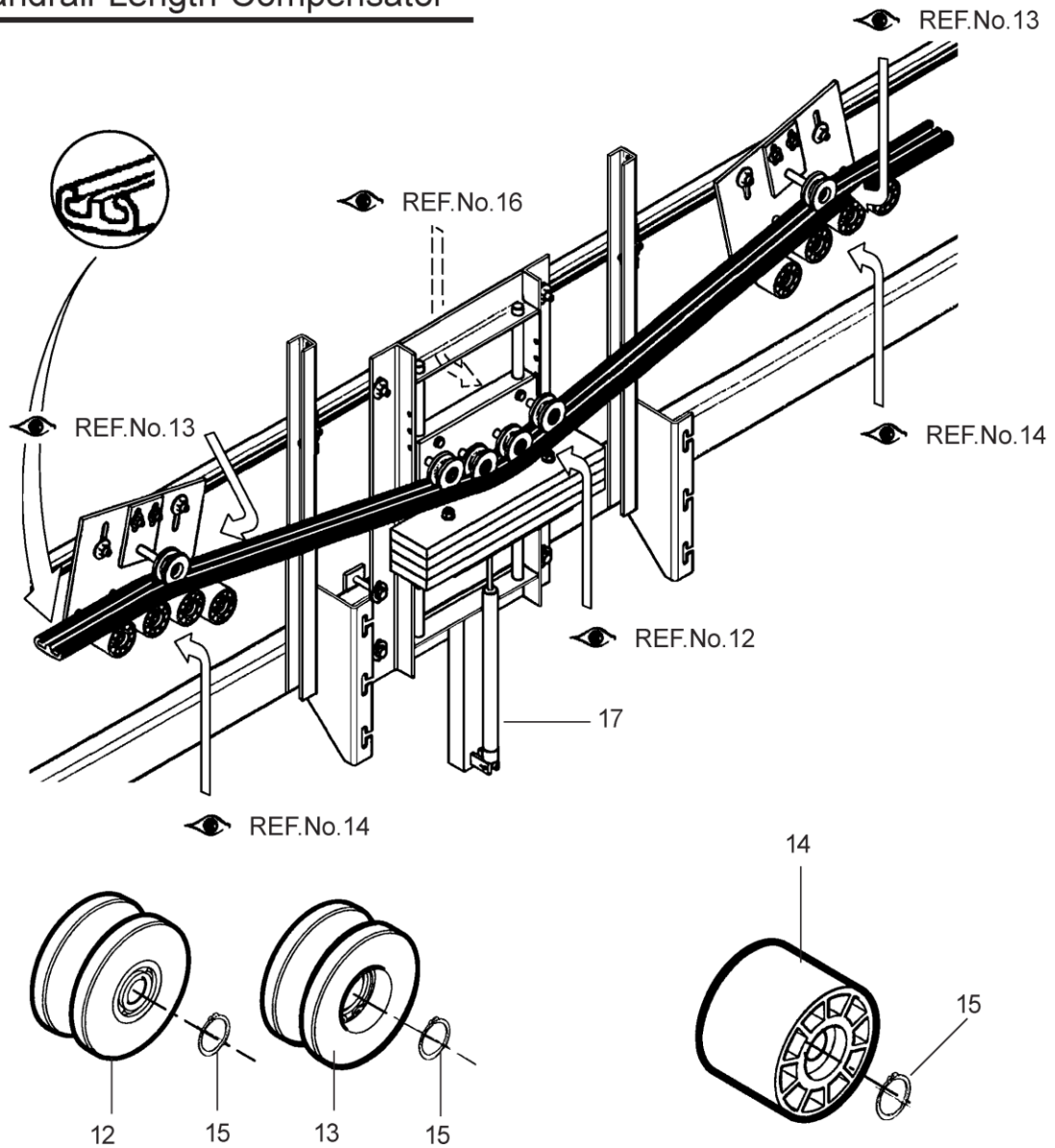


GAA26180J		
REF No.	PART No.	DESCRIPTION
	GAA265AM1	Sheave
2	G02215AB49	Set: Roller Bearing compl.
3	G0195JN1	Sprocket
4	G0195JN2	Sprocket
5	G02215AB63	Set: Drive sheave compl. w/ G0195JN1 
6	G02215AB64	Set: Drive sheave compl. w/ G0195JN2 

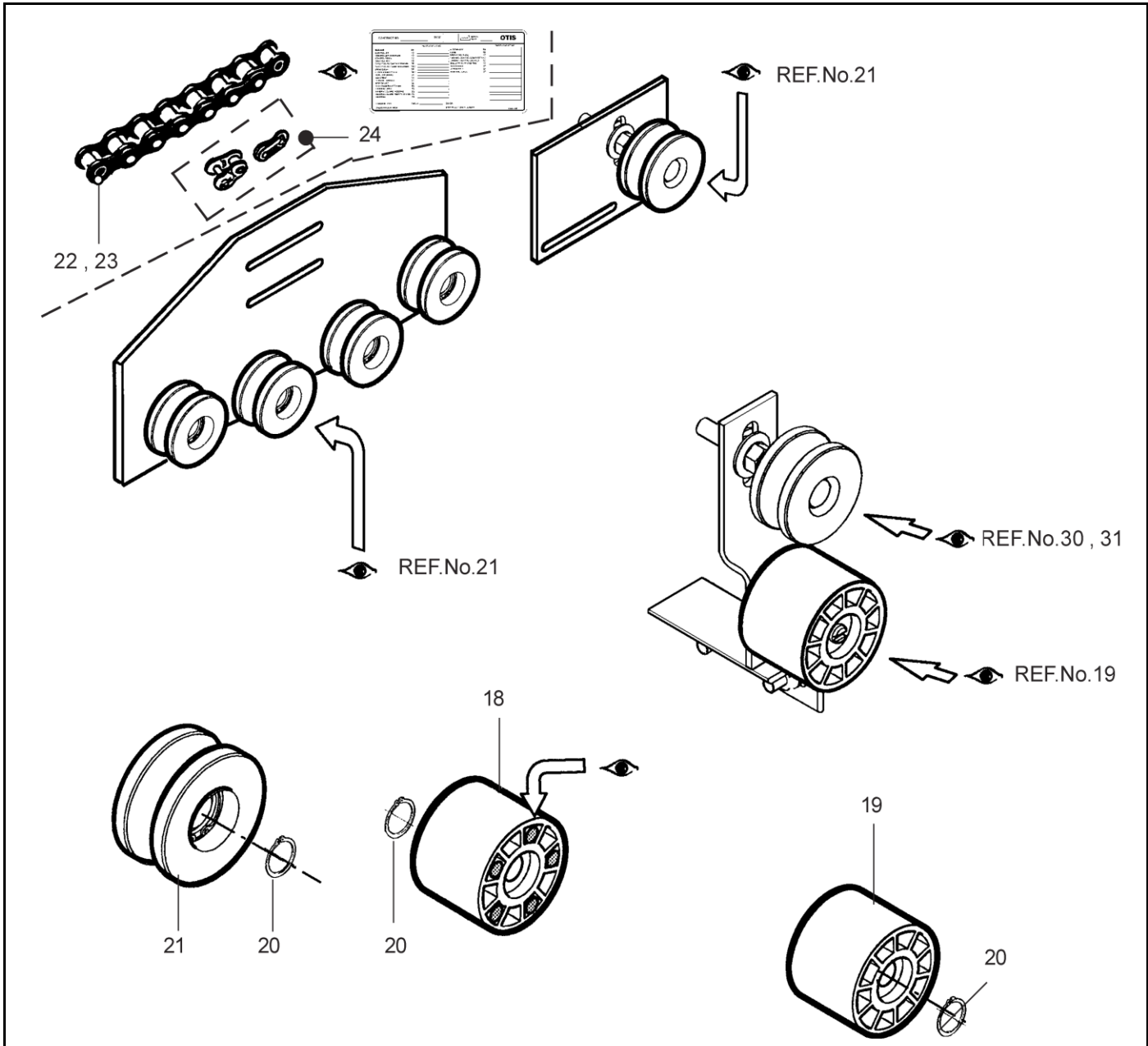


GAA26180J		
REF. No.	PART No.	DESCRIPTION
7	GAA265AM2	Sheave
8	GO2215AB67	Set: Drive sheave compl.
9	GO2215AB65	Set: Sprocket compl.
10	GO2215AB29	Roller (GAA456DG3)
11	GO456BG4 GAA456DG4 GAA456DG2	Roller, indoor/outdoor Material: Brass !

Handrail Length Compensator



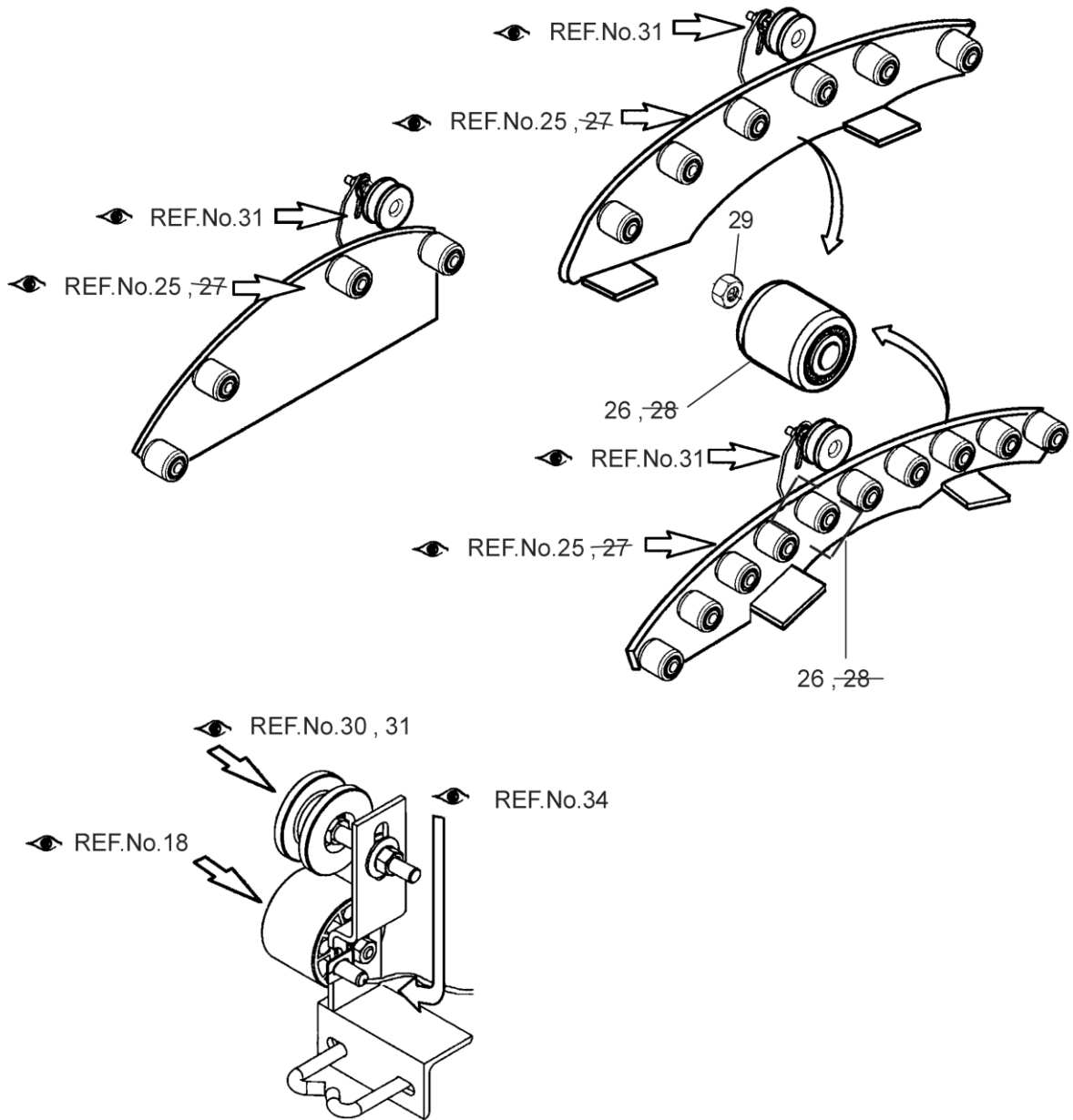
GAA26180J		
REF. No.	PART No.	DESCRIPTION
12	GAA456DD4 GAA456DJ1	Roller
13	GAA456DC4 GAA456DH1	Roller
14	GAA456CD3	Roller
15	-----	Retaining ring 12x1 DIN 471- (17202)
16	GAA385GS1	Guide
17	GAA320AX1	Oilbrake



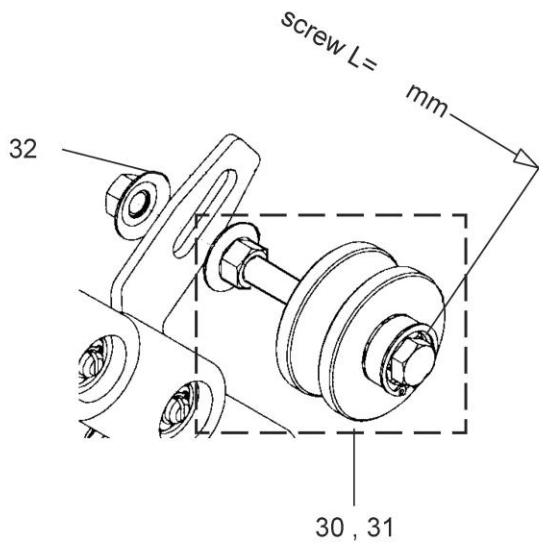
GAA26150Z		
REF. No.	PART No.	DESCRIPTION
18	GAA456CD4	Roller
19	GAA456CD3	Roller
20	-----	Retaining ring 12x1 DIN 471- (17202)
21	GAA456DC1 GAA456DH1	Roller
22	G0332P6	Chain 16A
23	GAA332AA1	Chain 16A
24	G02215AS4	Set: offset/connecting link

Escalator 513 NPE Handrail Drive

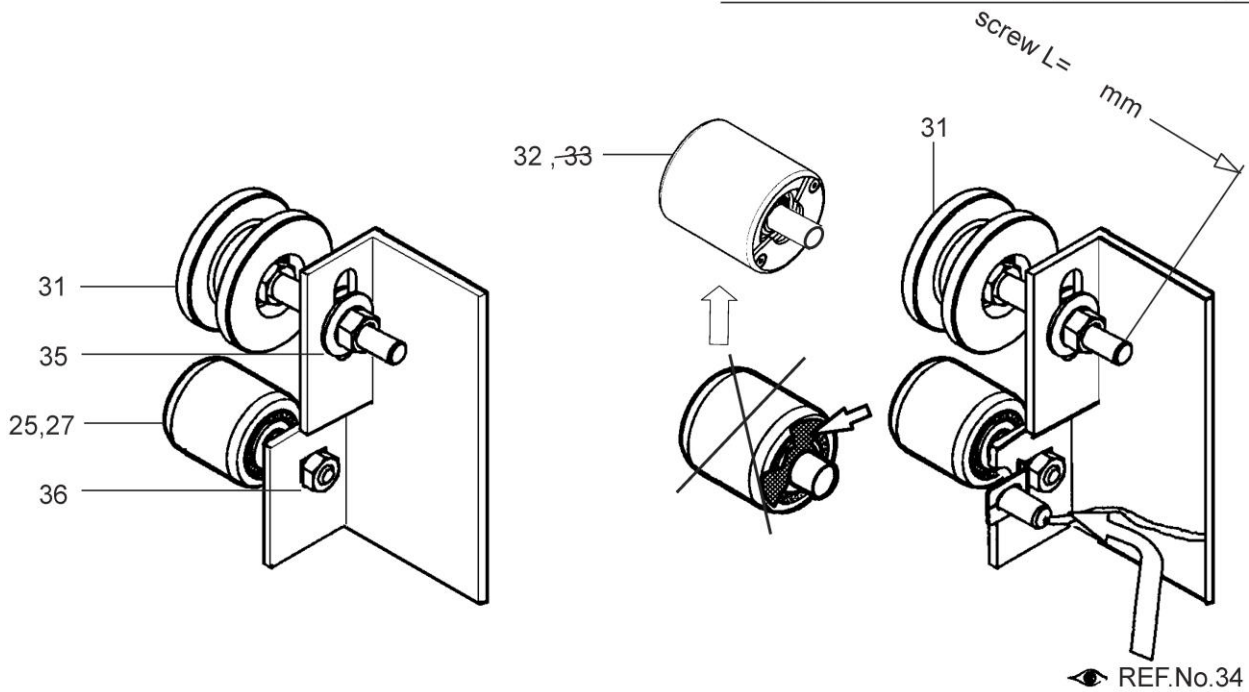
55-GAA26180J



GAA26180J		
REF. No.	PART No.	DESCRIPTION
25	GO456BG10 GAA456DG10	Roller, indoor/outdoor
26	GO456BG11 GAA456DG11	Roller, indoor/outdoor, Material: Brass
27	GO456BG12 GAA456DG12	Roller, outdoor
28	GO456BG13 GAA456DG13	Roller, outdoor, Material: Brass
29	-----	Hex. Nut, ISO 4032 - M10 - 8 - ZN, (98475)



Arrangement for Handrail speed monitoring



GAA26180J		
REF. No.	PART No.	DESCRIPTION
30	GAA456DC1 GAA456DR3	Roller, L= 80mm
31	GAA456DC1 GAA456DR1	Roller, L= 100 mm
32	GO456BG14 GAA456DG14	Roller, indoor/outdoor
33	GO456BG15 GAA456DG15	Roller, outdoor
34	GAA608A2	Inductive Proximity Sensor (M12)
35	GAA72BS6	Hex. Flange Nut
36	---	Hex. Flange Nut (52134)