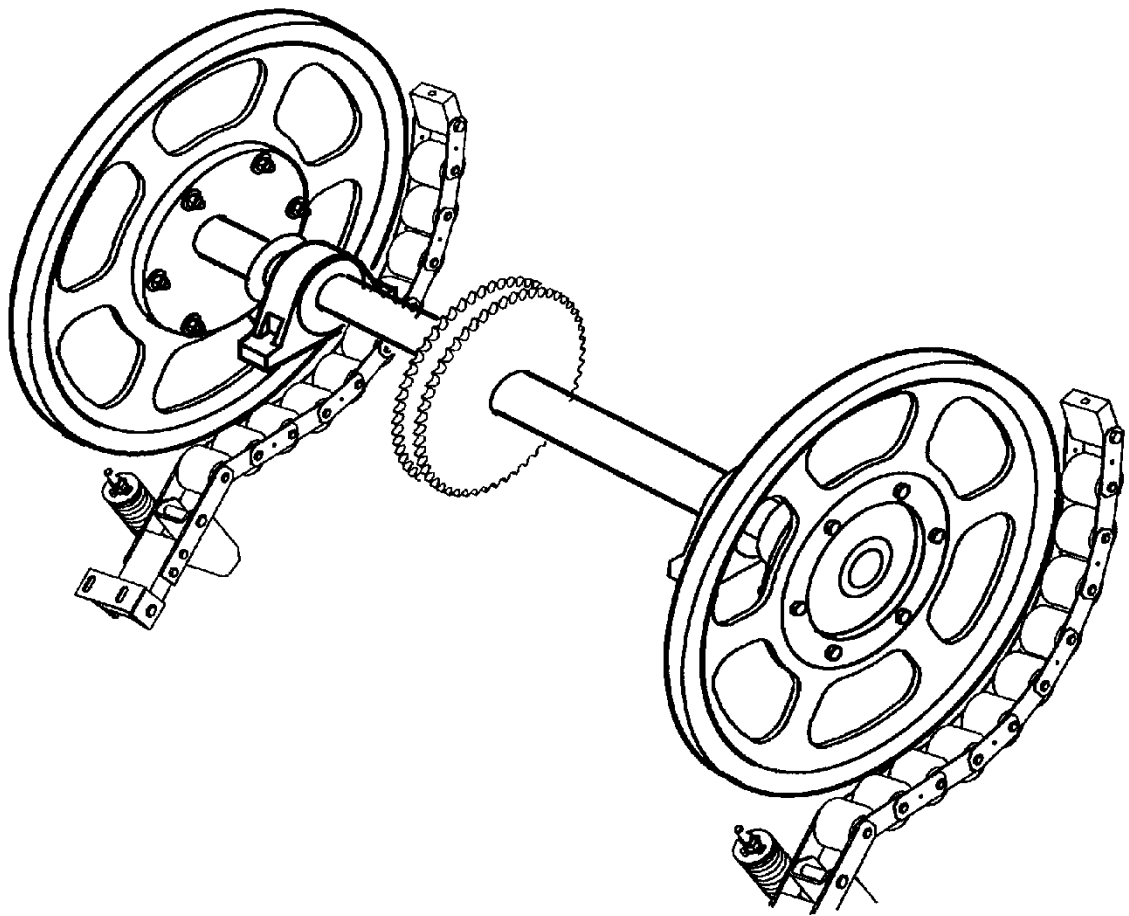
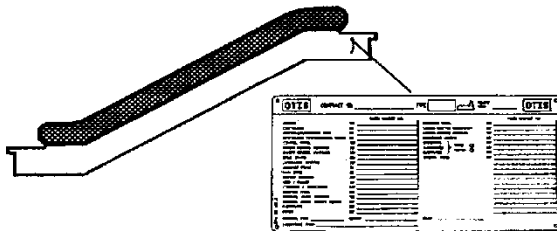


Escalator 513 NPE-SR Handrail Drive

Spare Parts Leaflet

55-G..26180M

July 1, 2003 / Page 1 of 7



OTIS

Leaflet Description

This document shows the handrail drive for the escalator with opaque balustrade.

Leaflet Revisions

Date Revised	Subject Matter Expert	Reason for Revision
November 1, 2001	Wilfried Gohlke	Information added for better finding
July 10, 2003	Ulrich Harting	Rollers without St. St. bearings

Related Drawings

Drawing No.	Title	Drawing No.	Title
GAA26180M	Escalator Handrail Drive		

Related Documents

Document ID	Title

Subject Matter Expert

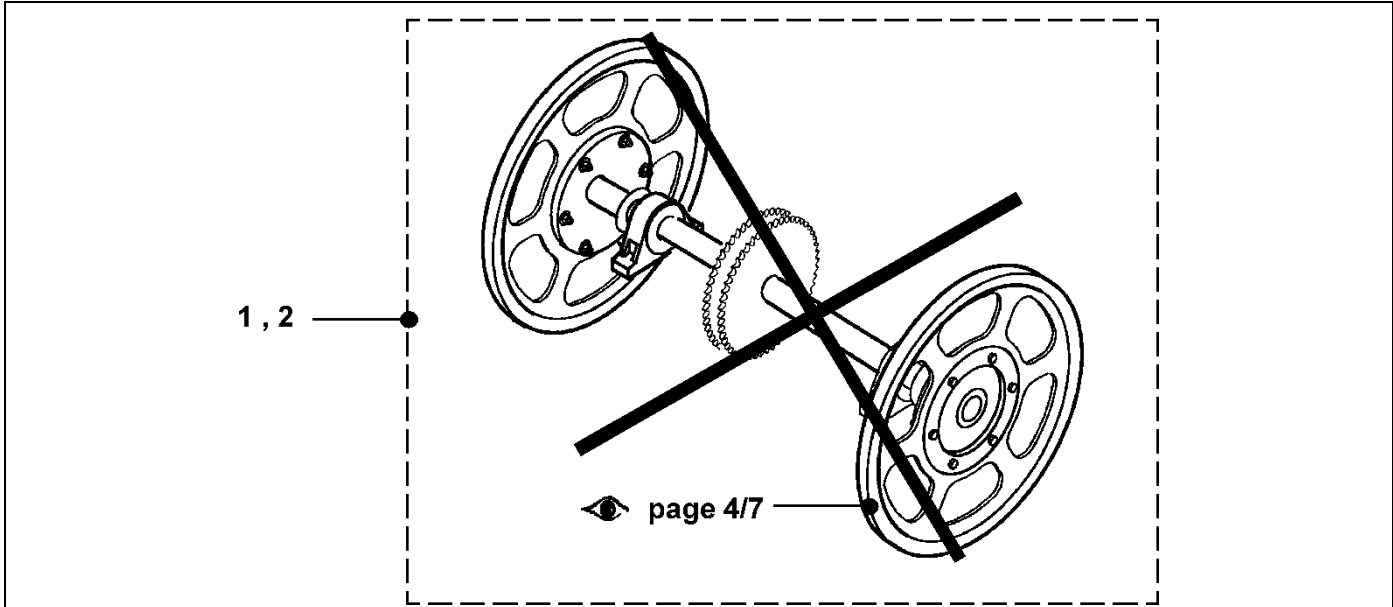
Name	Department
Ulrich Harting	Engineering Stadthagen, Germany

About Spare Parts Leaflets...

This document lists the lowest replaceable units (LRUs) for the standard version of the product. The LRUs are chosen by a team of Otis associates representing engineering and manufacturing.

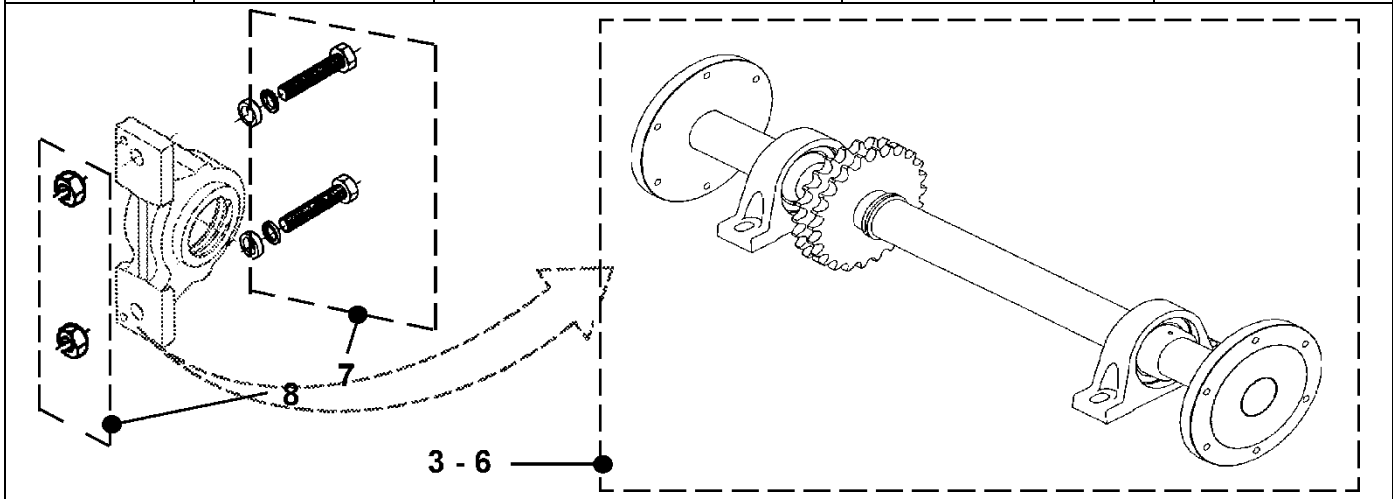
While goal of this document is to make parts identification as easy as possible, the document cannot be all-inclusive. Elevator and escalator contracts classified as "special" or "custom" are not addressed here. For such contracts, please refer to specified information, the contract folder, TIPs, Field Education Articles, Construction Letters, etc. for further information.

If you have any suggestions about this document, please contact the subject matter expert listed on this page.

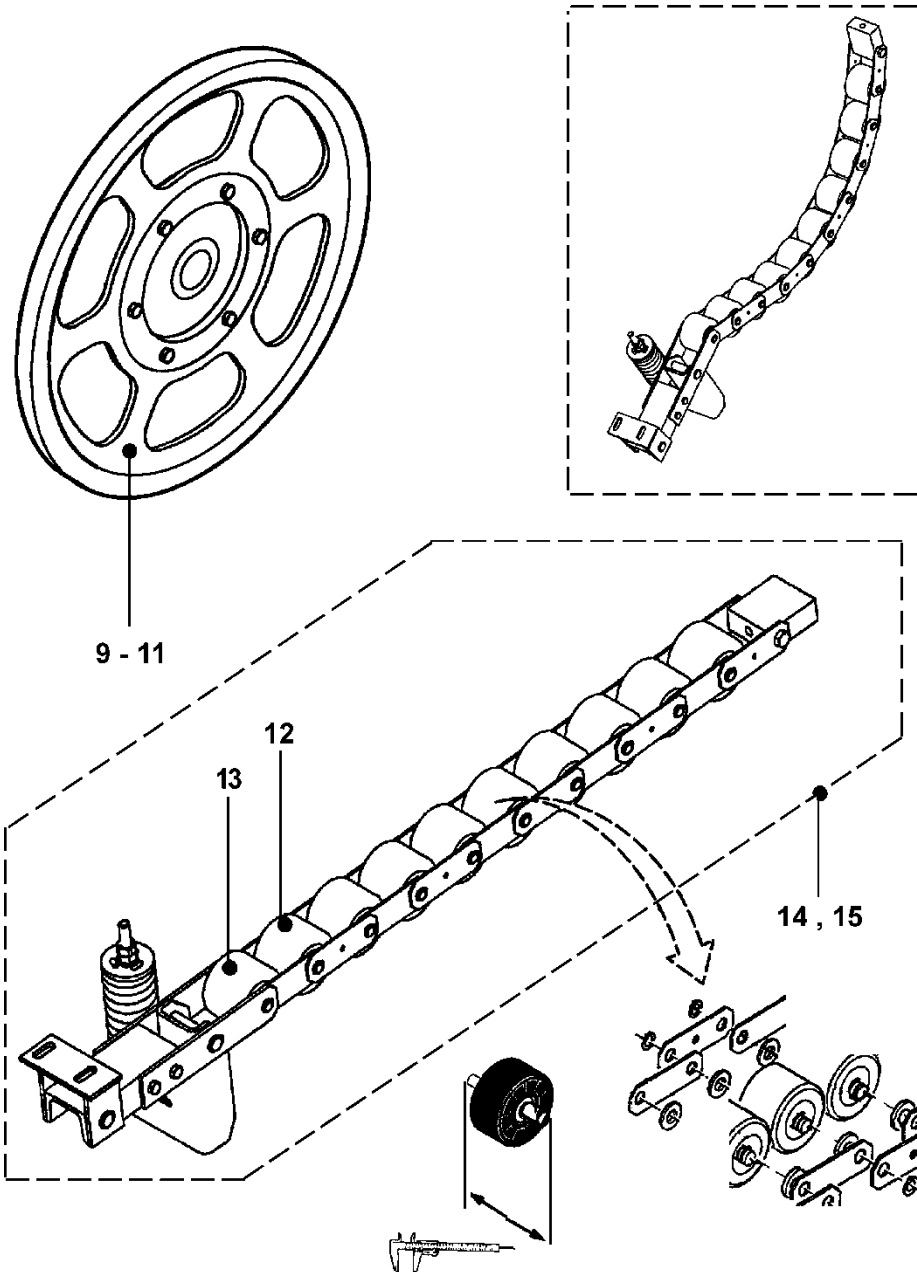


GAA26180M

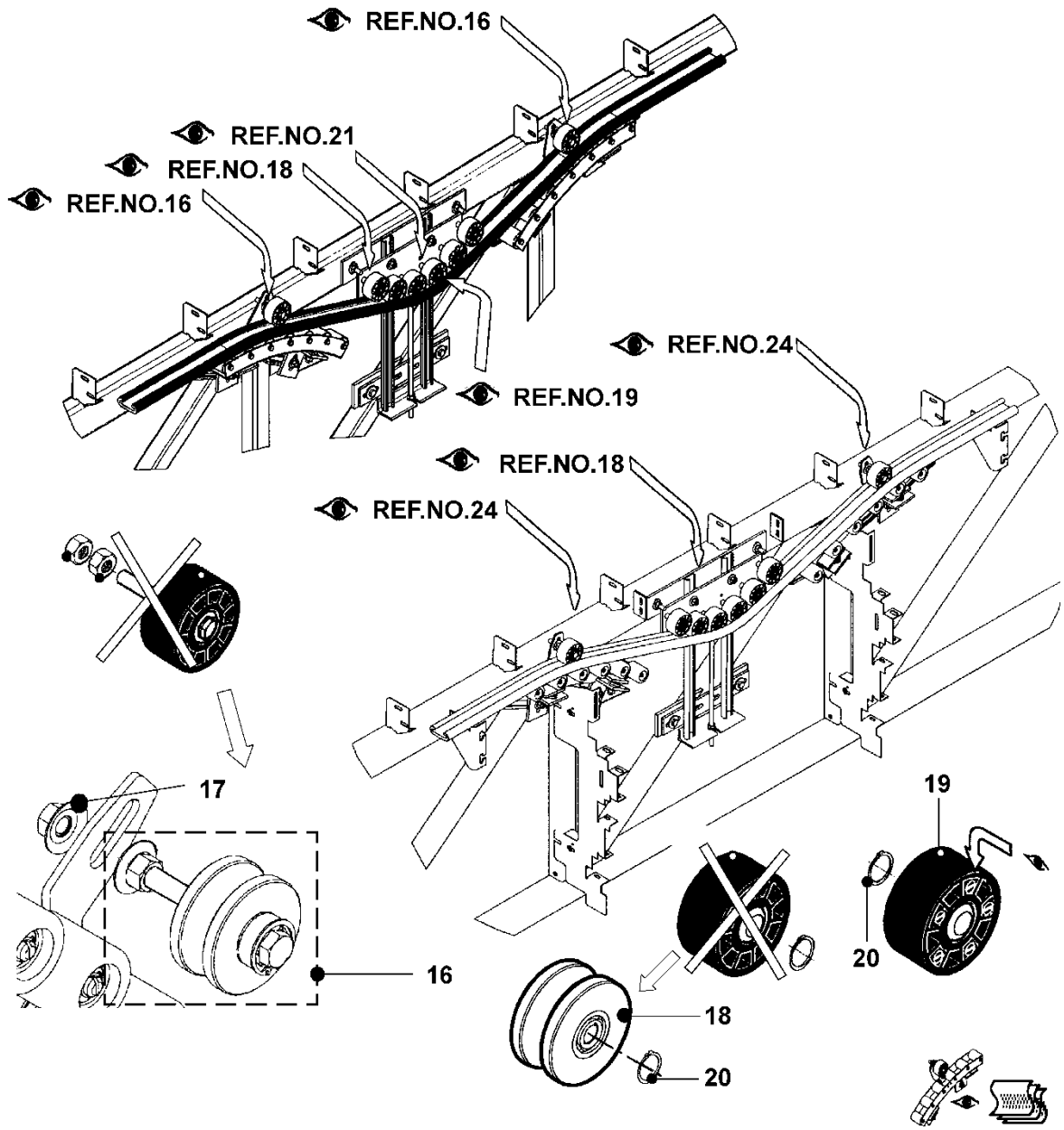
REF. No.	PART No.	DESCRIPTION	TYPE
1	GBA26380B11	Handrail Drive Shaft Complete	800
2	GBA26380B12	Handrail Drive Shaft Complete	1000



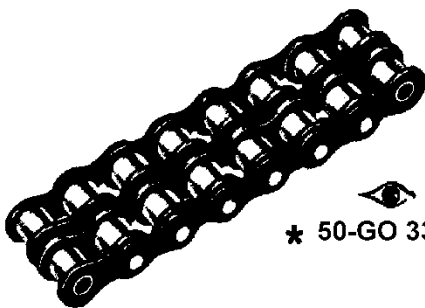
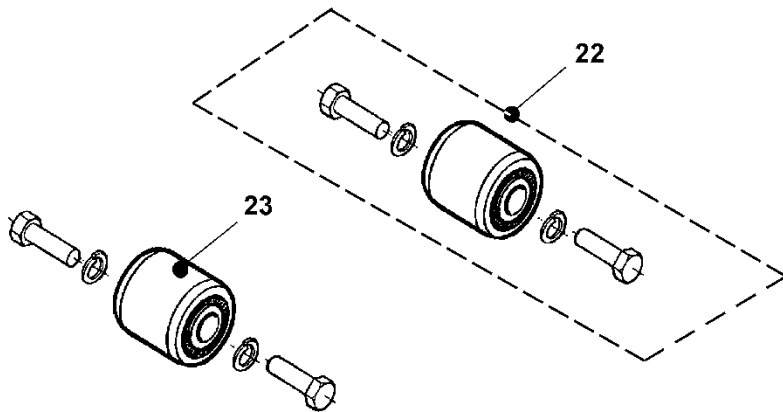
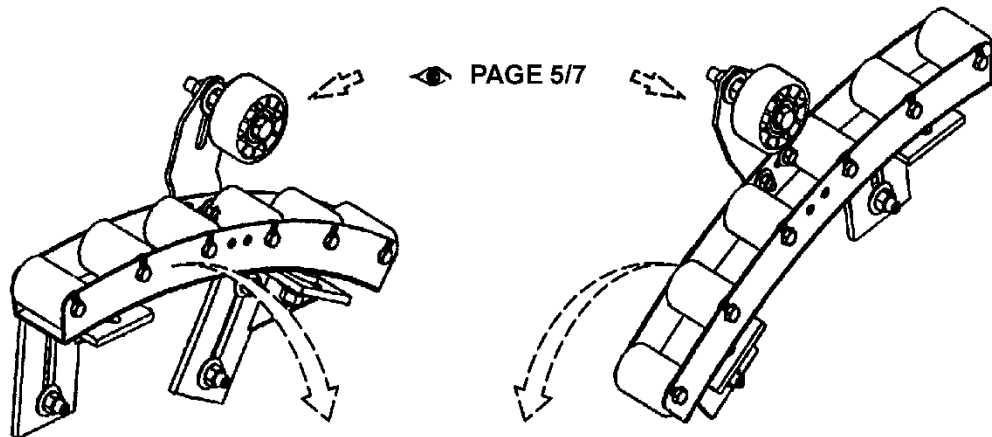
GAA26180M			
REF.NO.	PART OR M.L.	DESCRIPTION	TYPE
3	GAA494KX9	Handrail drive shaft w pedestal bearing indoor	800
4	GAA494KX10	Handrail drive shaft w pedestal bearing indoor	1000
5	GAA494KX11	Handrail drive shaft w pedestal bearing outdoor	800
6	GAA494KX12	Handrail drive shaft w pedestal bearing outdoor	1000
7	---	Hex. Screw DIN 933 M16x60 - (99416)	
	---	Washer DIN 7394 17 -(163337)	
8	---	Nut, DIN 508 M16 -(199430)	



GAA26180M		
REF.No.	PART No.	DESCRIPTION
9	GAA265AL2	Sheave (indoor)
10	GAA265AL4	Sheave (outdoor)
11	GAA265AT1 ←	Sheave
12	GO2215AB43	Roller, L = 78mm (GAA 456 CX 3)
13	GO2215AB66	Roller L = 83mm (GAA 456 CX 4)
14	GAA332AB1	Chain
15	GAA332AB2	Chain



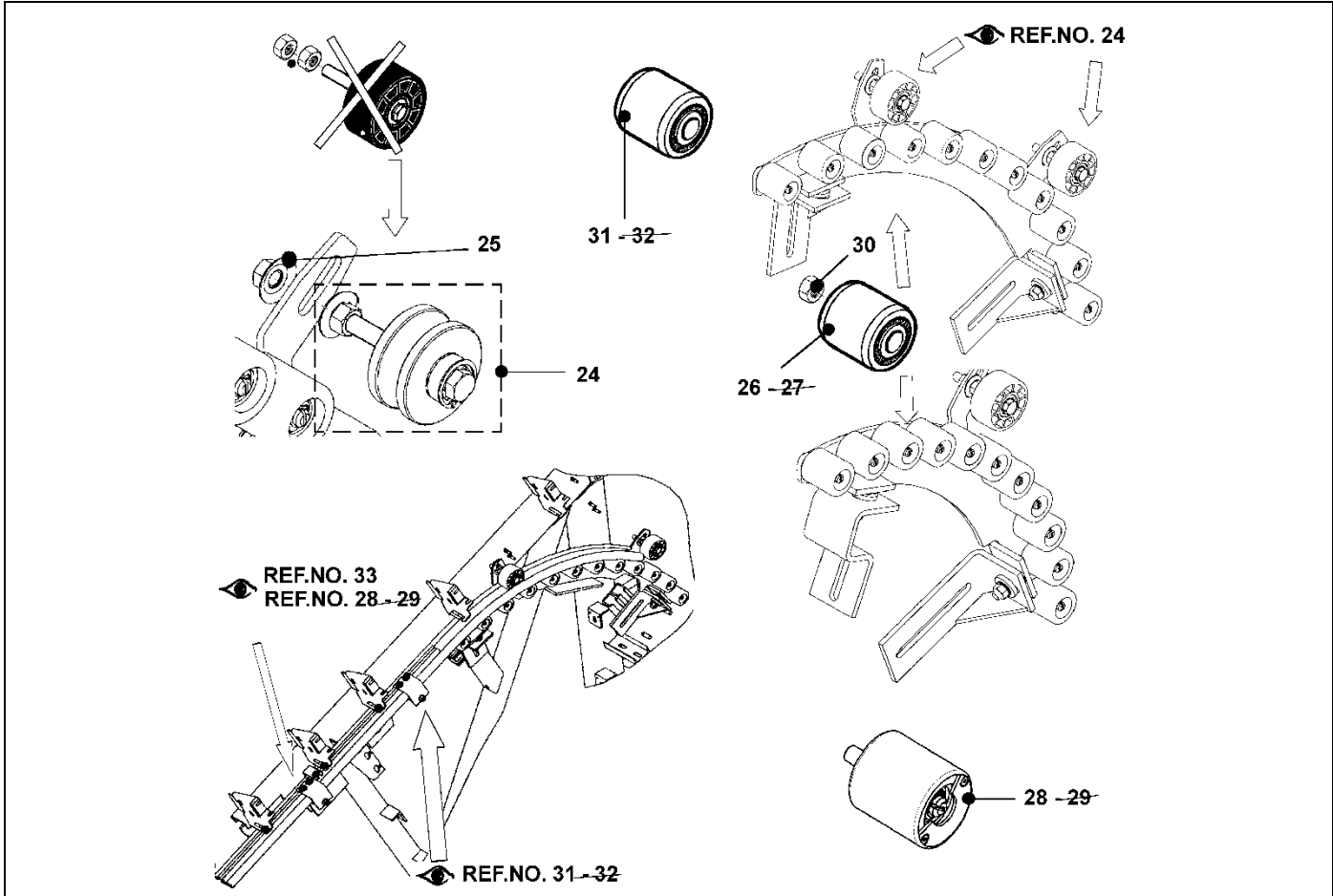
GAA26180M		
REF.No.	PART No.	DESCRIPTION
16	GO2215AB54 GO456BM2 GAA456DR1	Roller
17	GAA72BS6	Hex. Flange Nut 2x
18	GAA456CM4 GAA456DJ1	Roller
19	GAA456CM5	Roller
20	---	Retaining ring 12 x 1 DIN 471 - (17202)
21	GAA608A2	Inductive Proximity Sensor (M12)



* 50-GO 332 P SHEET 13



GAA26180M		
REF.No.	PART No.	DESCRIPTION
22	GO2215AB29	Roller (GAA 456 DG 3)
23	GO456BG4 GAA456DG2	Roller, indoor/outdoor Material: Brass -SEE!



GAA26180M		
REF.No.	PARTNo.	DESCRIPTION
24	GO456BM2 GAA456DC4 GAA456DR3	Roller
25	GAA72BS6	Washer nut
26	GO456BG10 GAA456DG10	Roller, (indoor/outdoor)
27	GO456BG12 GAA456DG12	Roller, (outdoor)
28	GO456BG16 GAA456DG16	Roller, (indoor/outdoor)
29	GO456BG17 GAA456DG17	Roller (outdoor)
30	-----	Hex.Nut, ISO 4032 - M10 - 8 - ZN, (98475)
31	GO456BG11 GAA456DG11	Roller, indoor/outdoor Material: Brass
32	GO456BG13 GAA466DG13	Roller, outdoor, Material Brass
33	GAA608A3	Inductive Proximity Sensor (M12)