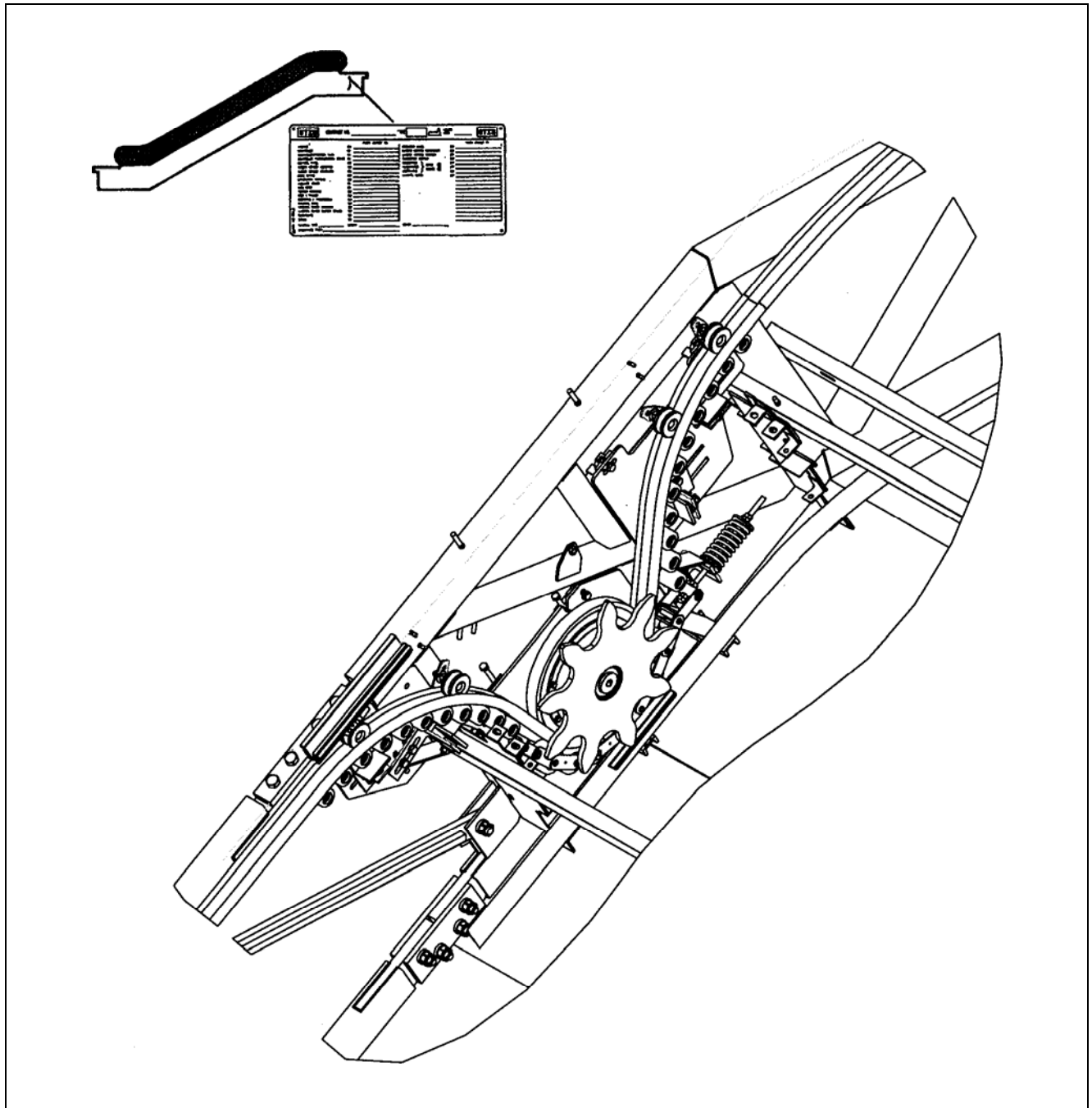


Escalator 506 NCE
Handrail Drive
(Traction Wheel Drive)

Spare Parts Leaflet

55-G..26180V

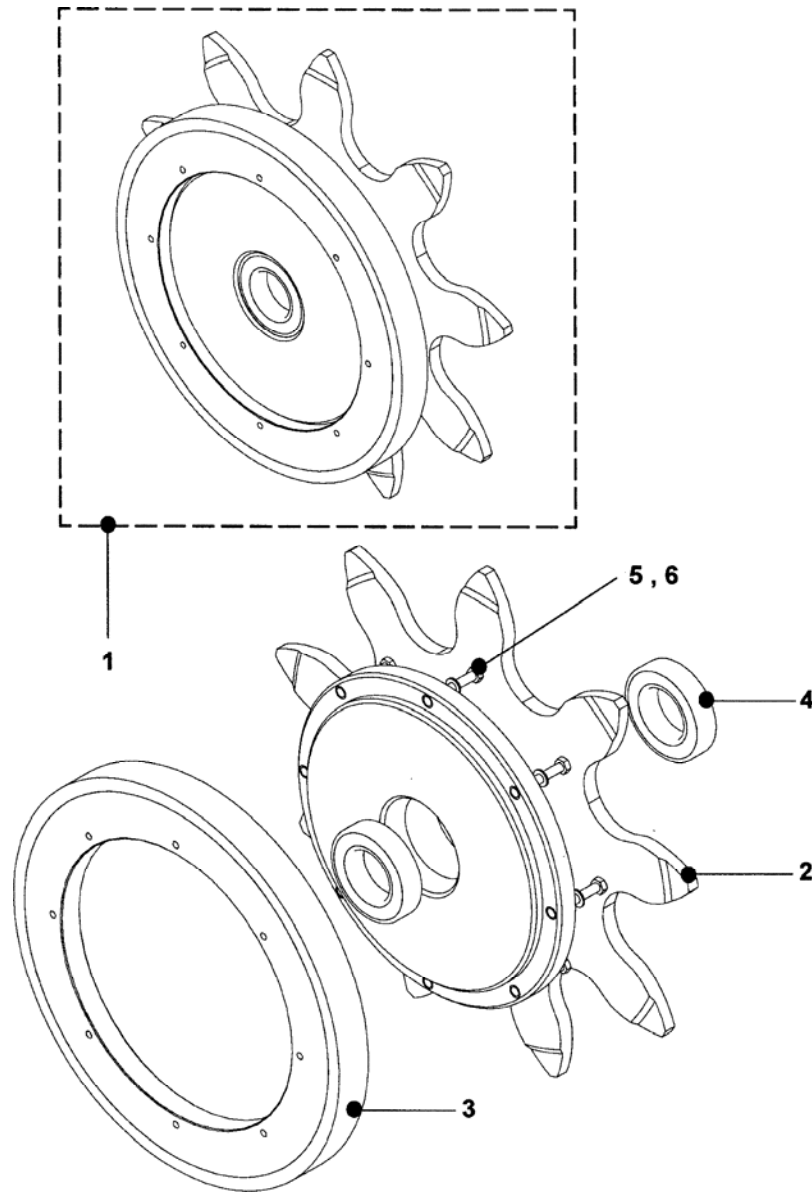
July 2001 / Page 1 of 3



OTIS

55-GAA26180V

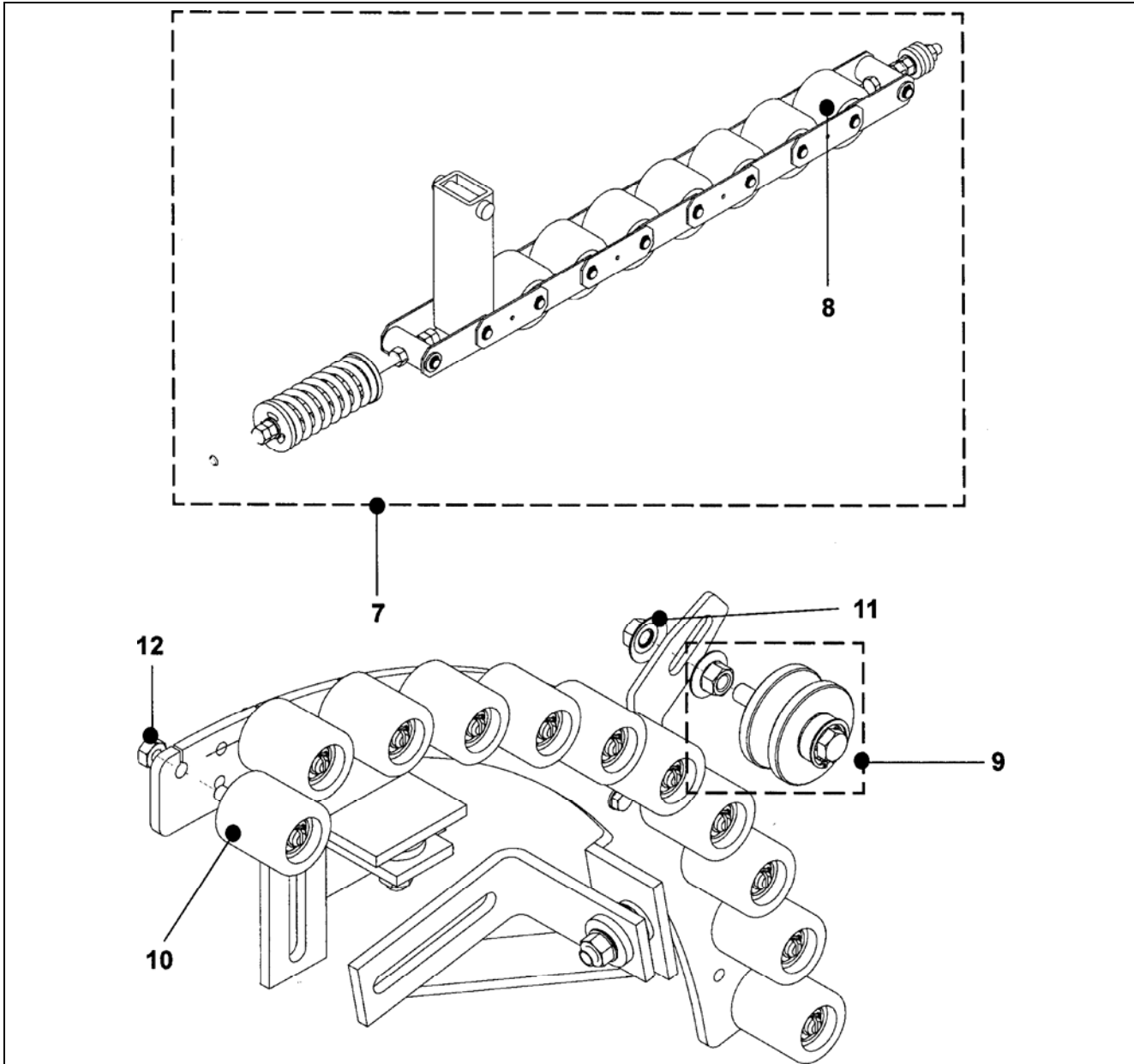
Escalator 506 NCE Handrail Drive (Traction Wheel Drive)



REF. No.	PART No.	DESCRIPTION
1	GAA195NV1	Pin Wheel Gear
2	GAA195NT1	Sprocket
3	GAA265AP1	Sheave
4	---	Ball Bearing, DIN 625-6210 2RS1 (26658)
5	---	Hex Screw, DIN ISO 4017-M8x35-8.8-ZN (117598)
6	---	Washer, DIN 125-A8, 4-ST-ZN (47274)

Escalator 506NCE Handrail Drive (Traction Wheel Drive)

55-GAA26180V



GAA/GAB26180V		
REF. No.	PART No.	DESCRIPTION
7	GAA332Z4	Chain
8	GO2215AB43	Roller (GAA456CX3)
9	GAA456DC4	Roller
	GAA456DR3	
10	GO456BG10	Roller
	GAA456DG10	
11	GAA72BS6	Washer Nut, 2x
12	---	Hex Nut, DIN ISO 4032 934-M10-8-ZN (98475)

