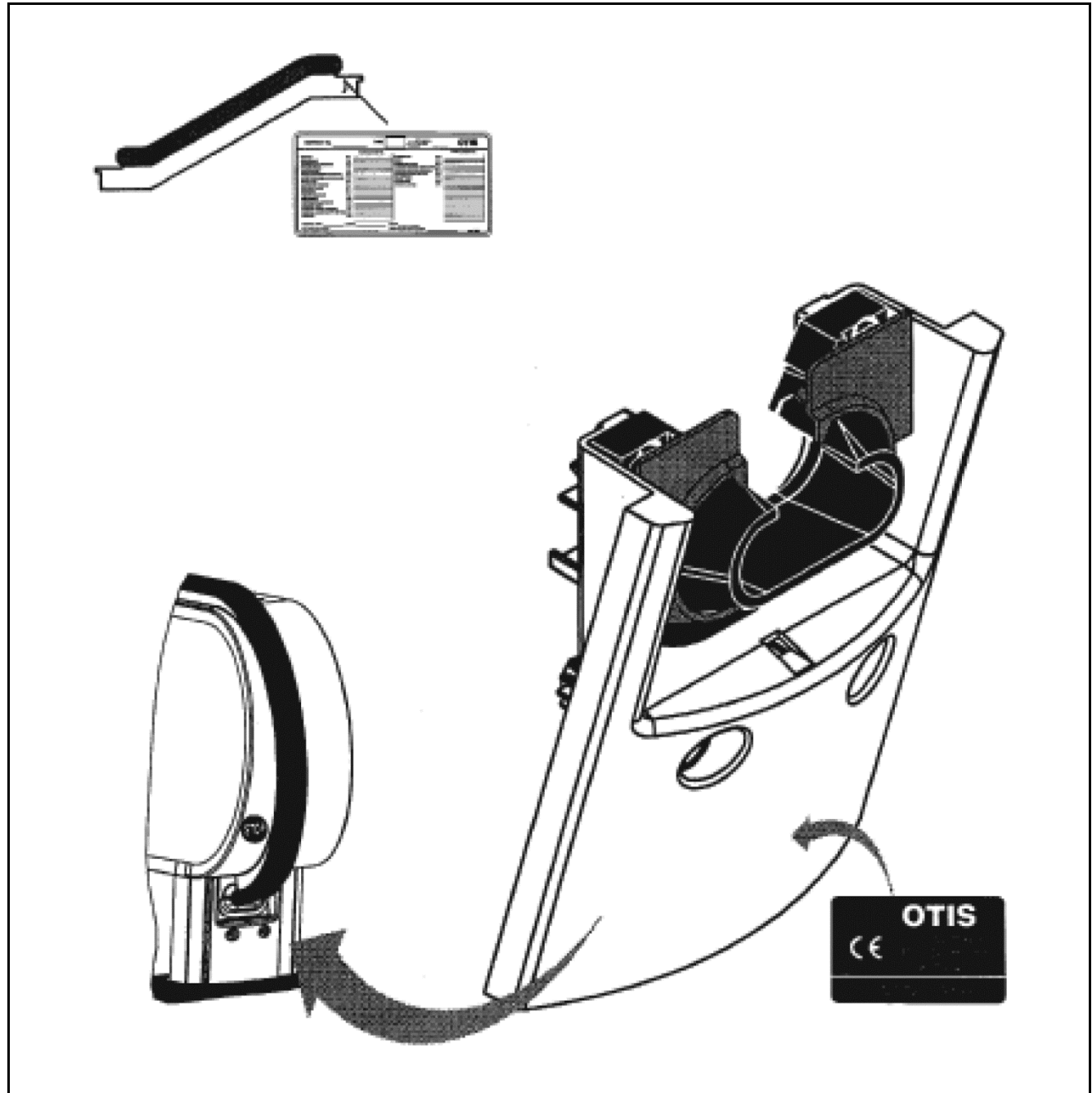


Escalator 513 NPE Handrail Guard

Spare Parts Leaflet
55-GAA26220BC

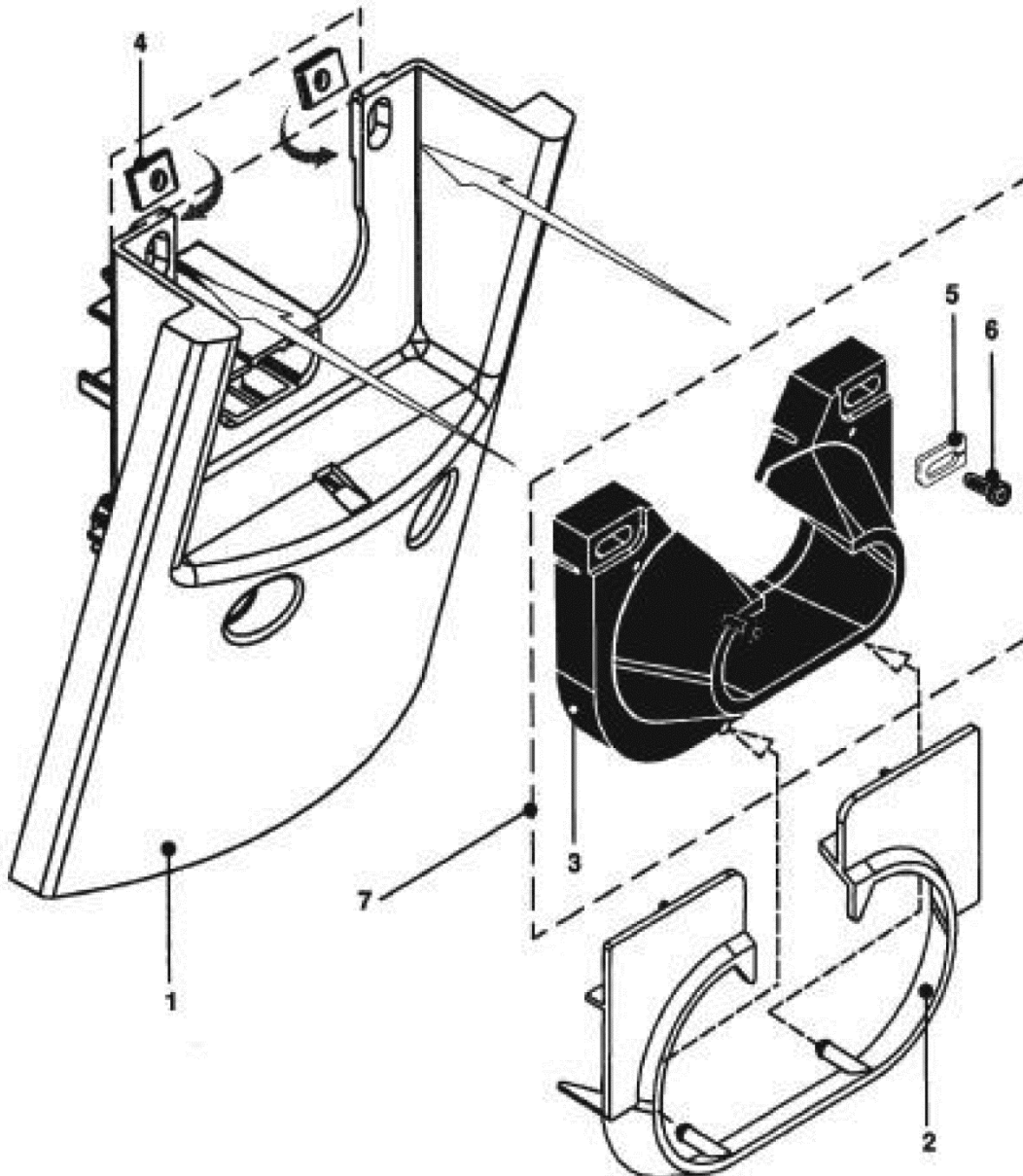
September 2010 / Page 1 of 3



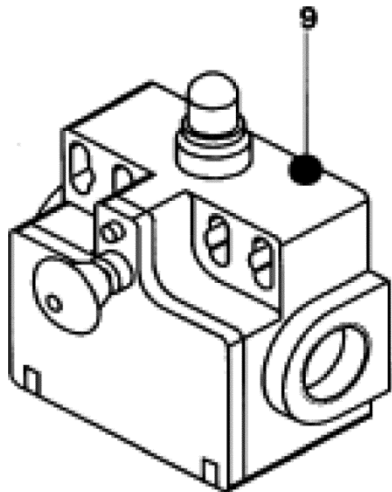
OTIS

SERVICE ENGINEERING
Otis Elevator Company
Bloomfield, Connecticut USA

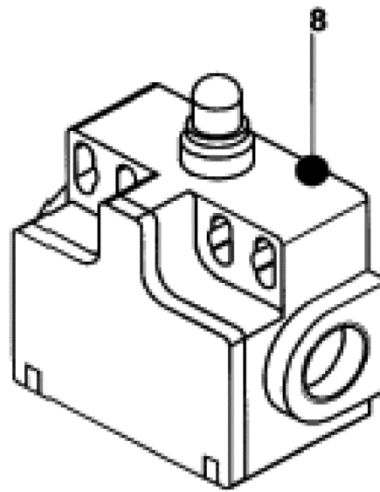
Unpublished Work—©Otis Elevator Co., 2010



GAA26220BC		
REF. No.	PART No.	DESCRIPTION
1	GAA346PL1	Frontplate
2	GAA273TS1	Cover
3	GAA384JZ1	Handrail Guide Insert Guard
4	GAA72BW1	Nut
5	GAA255MH1	Shim
6	---	Cyl. Head Screw ISO 4762 – M6 x 30 8.7 ZN
7	GO2215D7	Set Handrail Guard w/ Ref. 3-6



GAA 177 ES1	
VINTAGE	★



GAA 177 GF1	
VINTAGE	★

GBA177 GF1	
VINTAGE	★



GAA26220BC		
REF. No.	PART No.	DESCRIPTION
8	GAA177GF1	Switch GAA / GBA177GF1 to GCA177GF1 (Sept 2010)
	GCA177GF1	
9	GAA177ES1	Switch
	GBA177ES1	
8-9	GAA381A2	Cable Gland (M16 x 1.5)