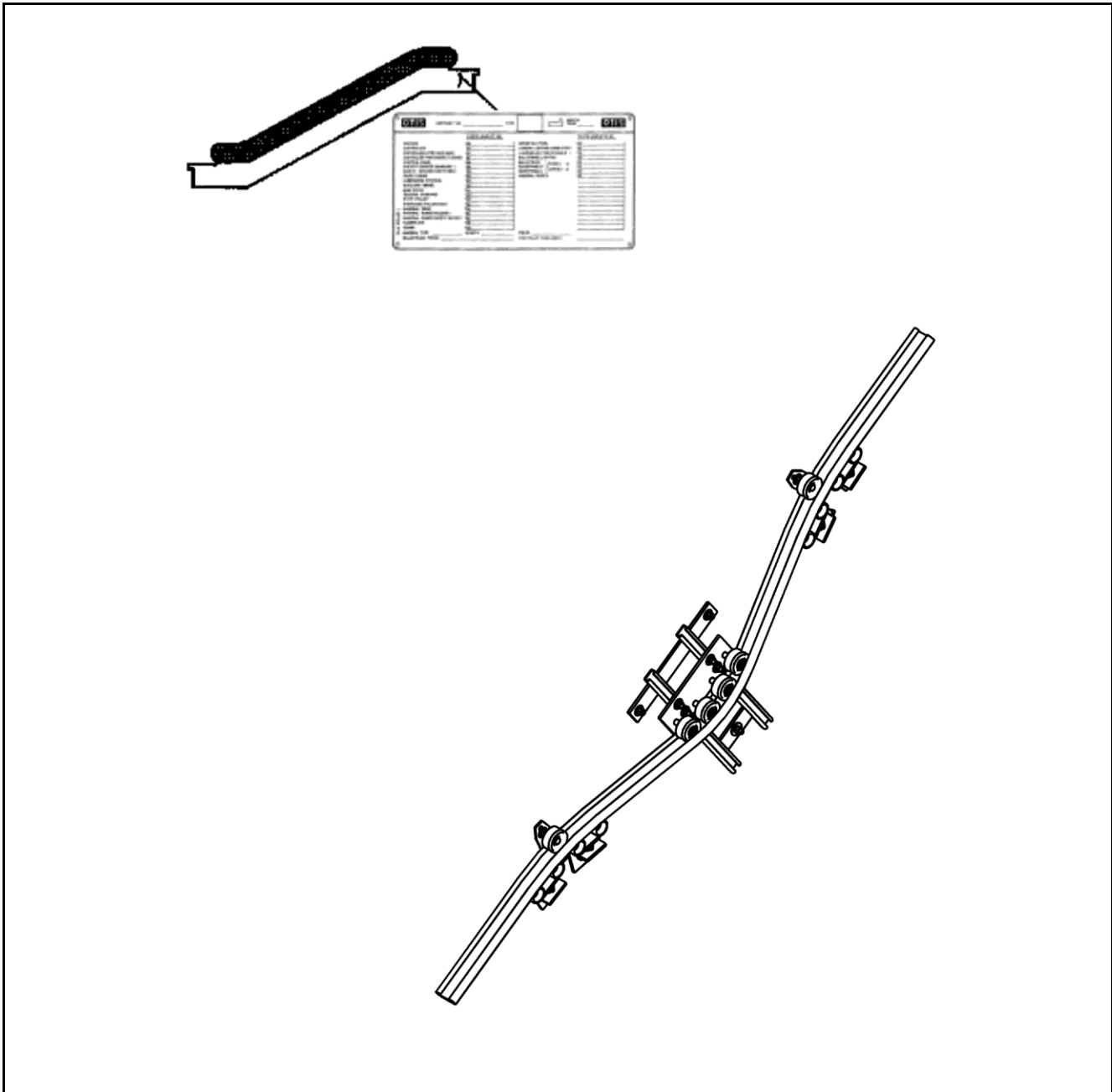


**508NCE/512NCE/515NPE-S/515NPE-L  
ESCALATOR  
H.R. Compensation Device**

**Spare Parts Leaflet  
55-GAA26230F  
Nov. 18, 2010 / Page 1 of 4**



Unpublished Work—©Otis Elevator Co.



**Safety First!**

**ESCALATOR ENGINEERING  
Otis Elevator Company  
SIT GUANGZHOU**

**55-GAA26230F**

## History

### Leaflet Description

Handrail compensation device

#### Leaflet Revisions

Date Revised	Subject Matter Expert	Reason for Revision
2007-09-10	Wu, Muke	Release
2009-05-20	Wu, Muke	Update to cover <b>508NCE/512NCE/515NPE-S/515NPE-L</b> ; Update drawing in sheet 3; Rename <b>LINK B</b> to <b>515NPE-S</b> .
2010-11-18	Wu, Muke	SPL code "57" changed to "55".

#### Related Drawings

Drawing No.	Title	Drawing No.	Title
GAA26230F	Handrail Compensation Device		

#### Related Documents

Document ID	Title
BOM GAA26230F	Handrail Compensation Device

#### Subject Matter Expert

Name	Department
Wu, Muke	SIT-GUANGZHOU

#### About Spare Parts Leaflets...

This document lists the lowest replaceable units (LRUs) for the standard version of the product. The LRUs are chosen by a team of Otis associates representing engineering and manufacturing.

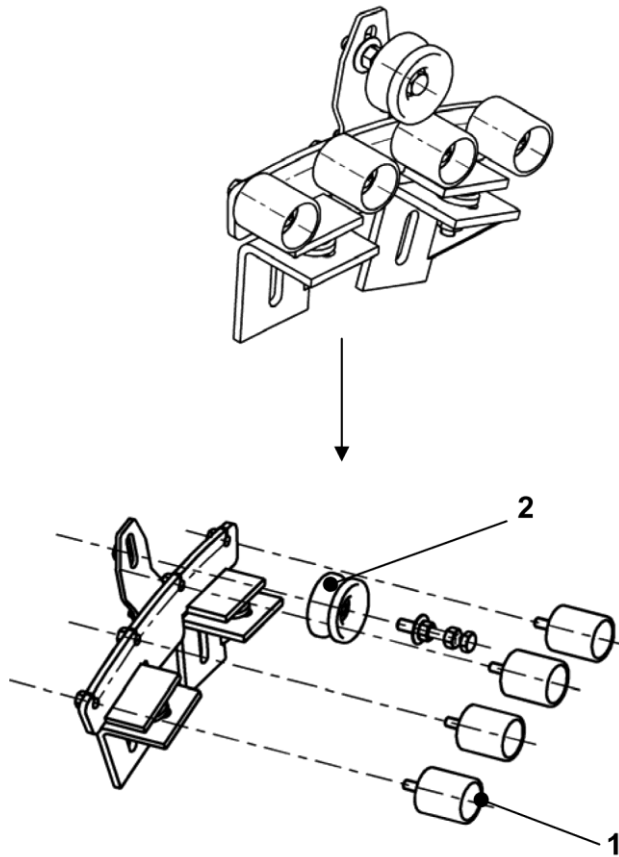
While goal of this document is to make parts identification as easy as possible, the document cannot be all-inclusive. Elevator and escalator contracts classified as "special" or "custom" are not addressed here. For such contracts, please refer to specified information, the contract folder, TIPS, Field Education Articles, Construction Letters, etc. for further information.

If you have any suggestions about this document, please contact the subject matter expert listed on this page.

**508NCE/512NCE/515NPE-S/515NPE-L  
ESCALATOR  
GLASS BALUSTRADE**

**Spare Parts Leaflet  
55-GAA26230F**

**HANDRAIL COMPENSATION DEVICE**



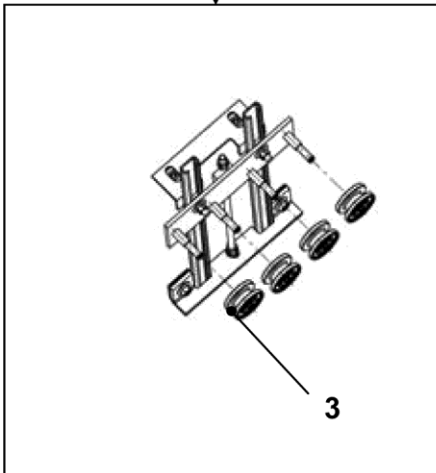
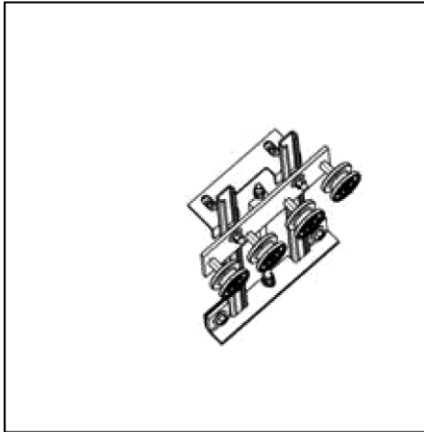
**GAA26230F**

<b>REF. No.</b>	<b>PART No.</b>	<b>DESCRIPTION</b>
1	GAA456DG10	Roller
2	GAA456DH1	Roller

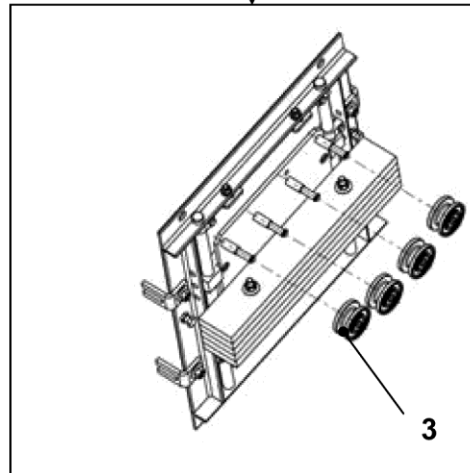
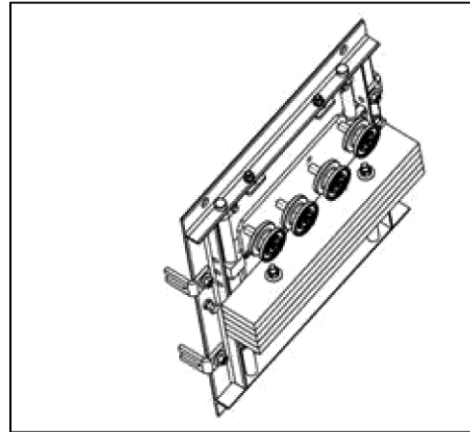
**508NCE/512NCE/515NPE-S/515NPE-L  
ESCALATOR  
GLASS BALUSTRADE**

**Spare Parts Leaflet  
55-GAA26230F**

Manual compensation device



Auto. compensation device



<b>GAA26230F</b>		
<b>REF. No.</b>	<b>PART No.</b>	<b>DESCRIPTION</b>
3	GAA456DJ1	Roller