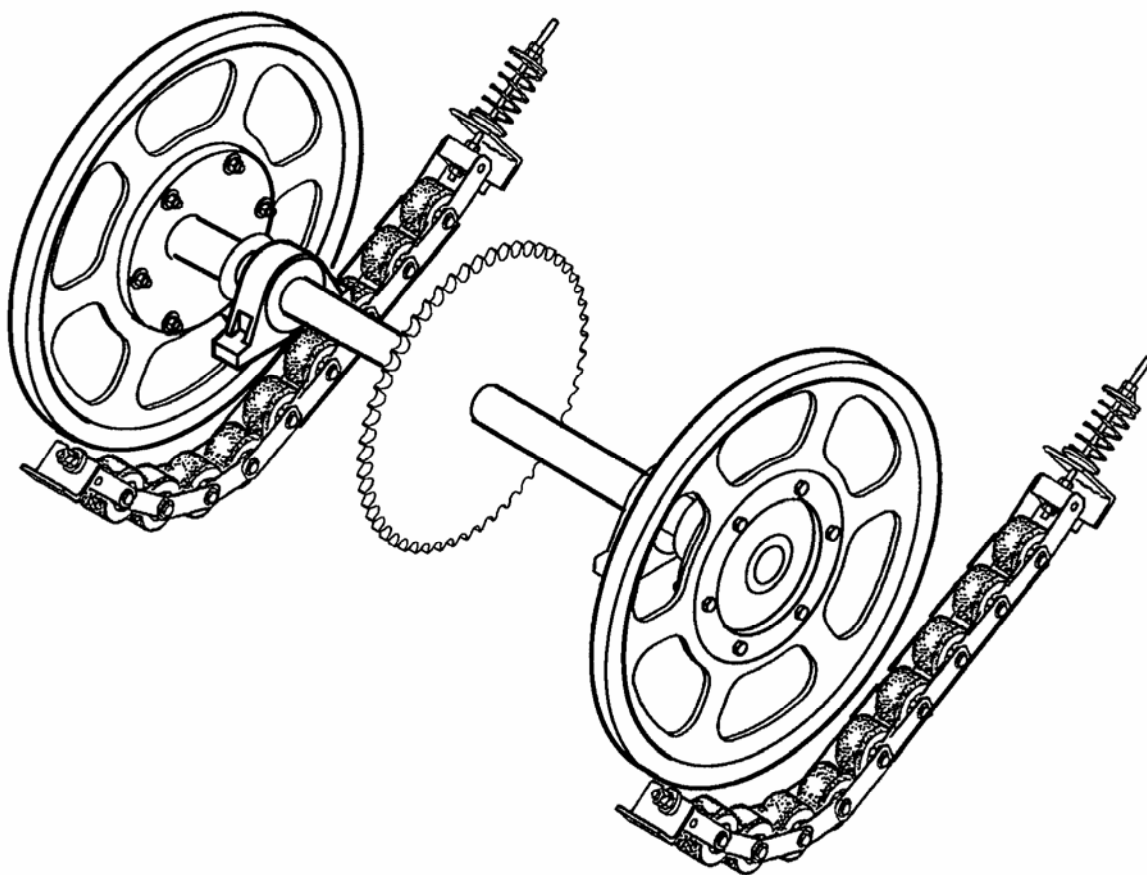
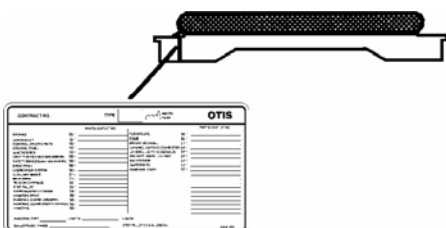


Trav-O-Lator 606 NCT Handrail Drive

Spare Parts Leaflet
55-GAA26380D

July 1, 2003 / Page 1 of 11



OTIS

Leaflet Description

This document shows the handrail drive for the escalator with opaque balustrade.

Leaflet Revisions

Date Revised	Subject Matter Expert	Reason for Revision
November 1, 2001	Wilfried Gohlke	Information added for better finding.
July 10, 2003	Ulrich Harting	Rollers without St. St. bearing.

Related Drawings

Drawing No.	Title	Drawing No.	Title
GAA26380D	Escalator Handrail Drive		

Related Documents

Document ID	Title

Subject Matter Expert

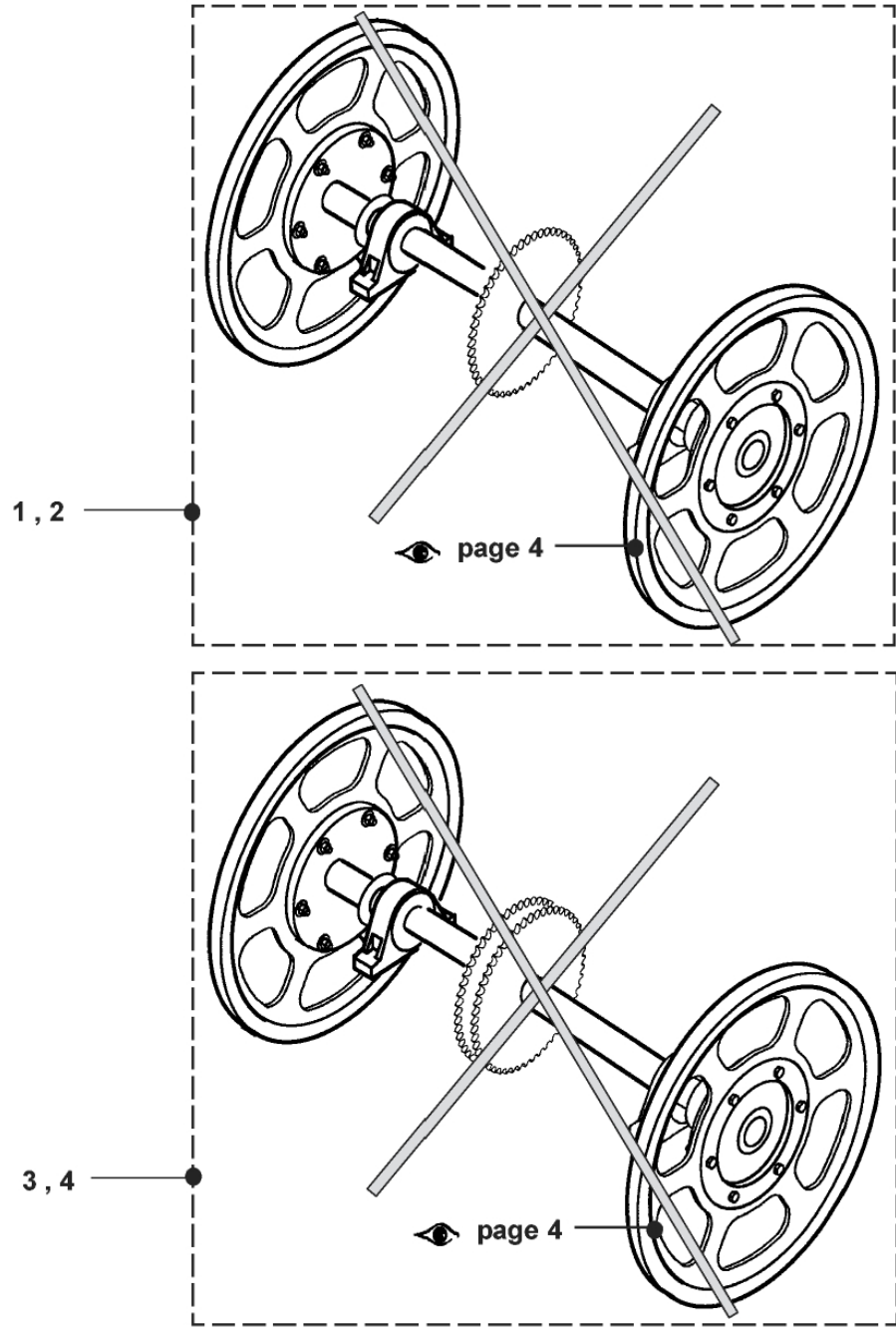
Name	Department
C. Benz	Enginery Stadthagen, Germany

About Spare Parts Leaflets...

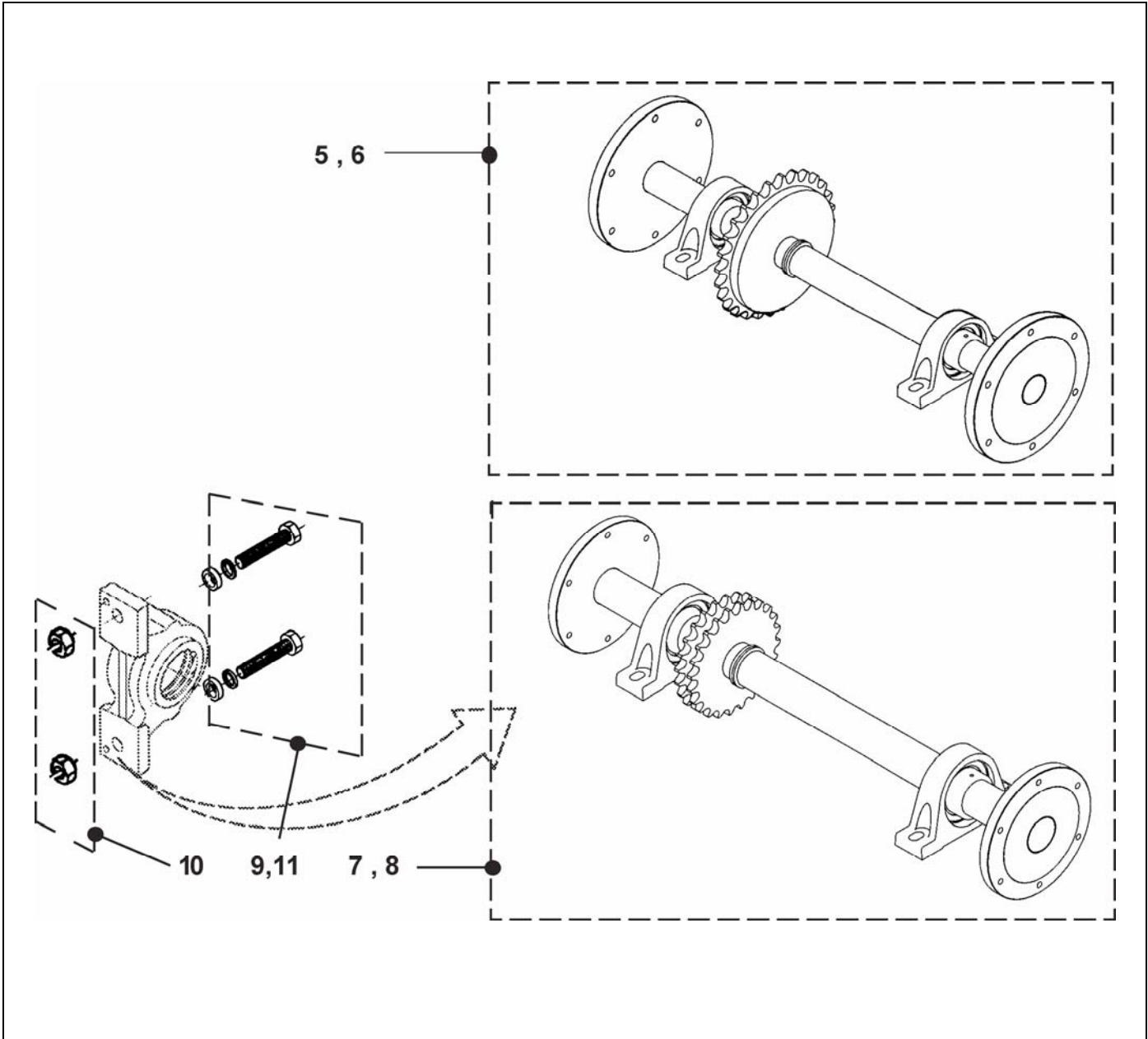
This document lists the lowest replaceable units (LRUs) for the standard version of the product. The LRUs are chosen by a team of Otis associates representing engineering and manufacturing.

While goal of this document is to make parts identification as easy as possible, the document cannot be all-inclusive. Elevator and escalator contracts classified as "special" or "custom" are not addressed here. For such contracts, please refer to specified information, the contract folder, TIPs, Field Education Articles, Construction Letters, etc. for further information.

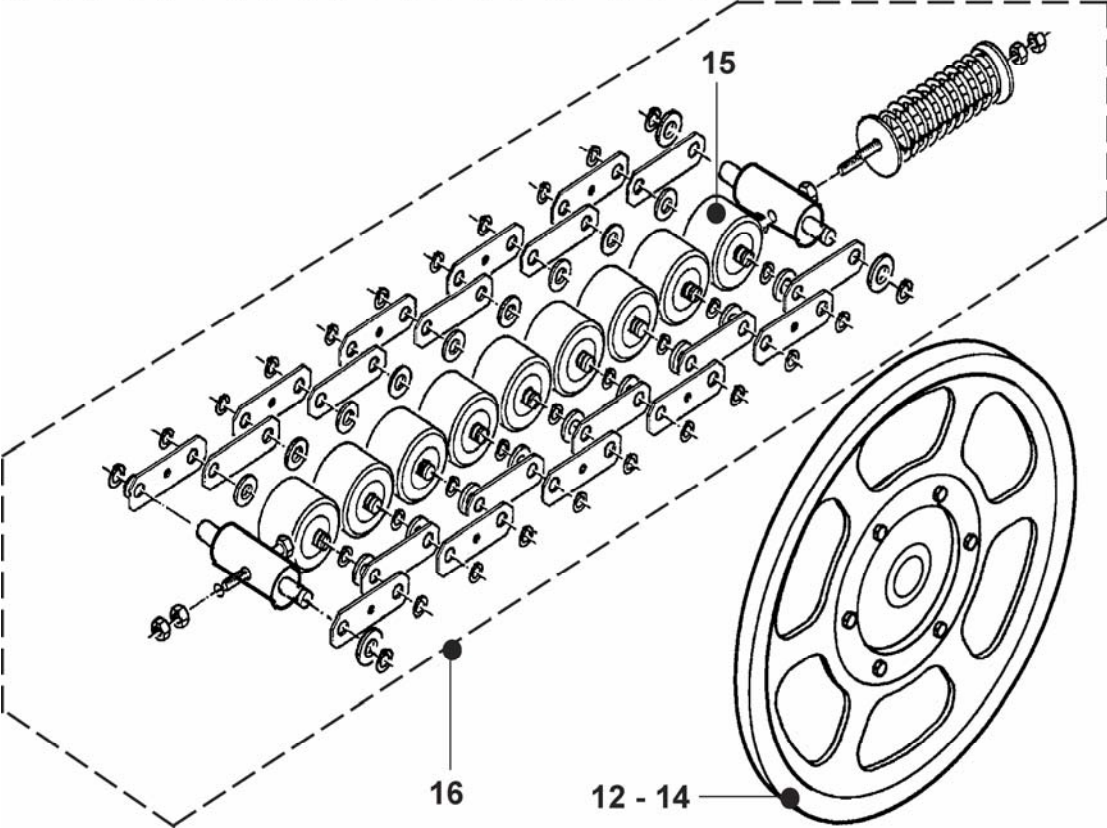
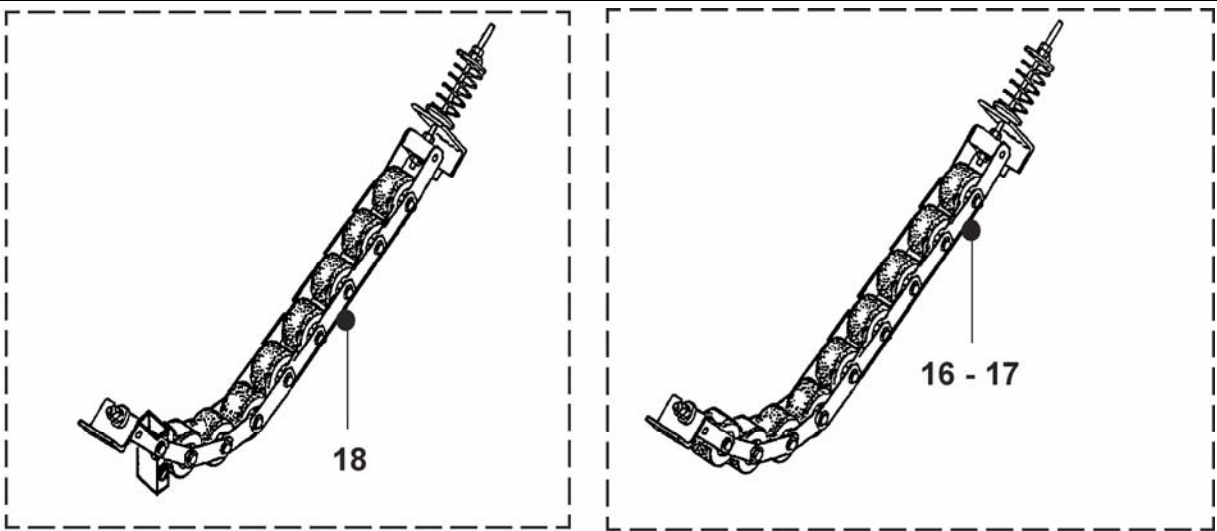
If you have any suggestions about this document, please contact the subject matter expert listed on this page.



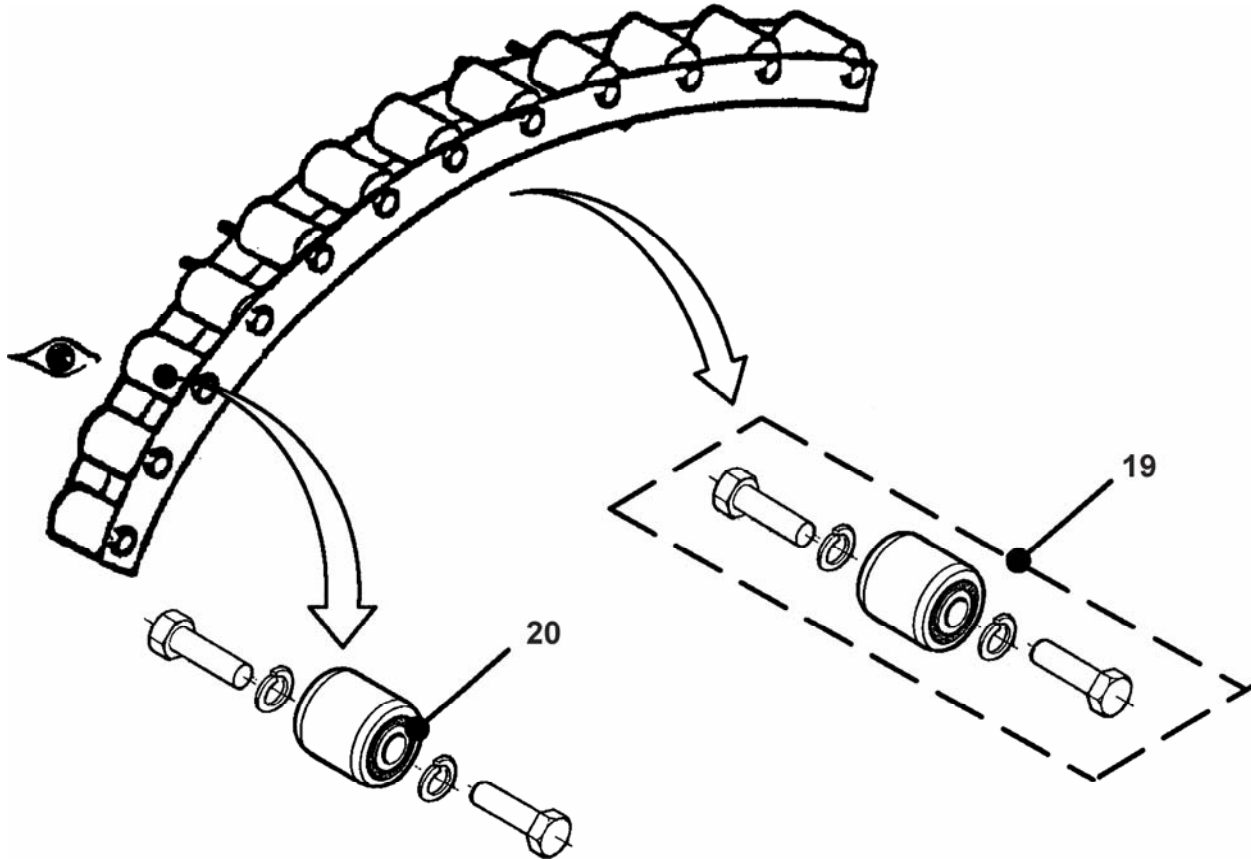
GAA26380D			
REF.NO.	PART OR M.L.	DESCRIPTION	TYPE
1	GBA26380B5	Handrail drive shaft compl. (w simplex sprocket)	800
2	GBA26380B6	Handrail drive shaft compl. (w simplex sprocket)	1000
3	GBA26380B7	Handrail drive shaft compl. (w duplex sprocket)	800
4	GBA26380B8	Handrail drive shaft compl. (w duplex sprocket)	1000



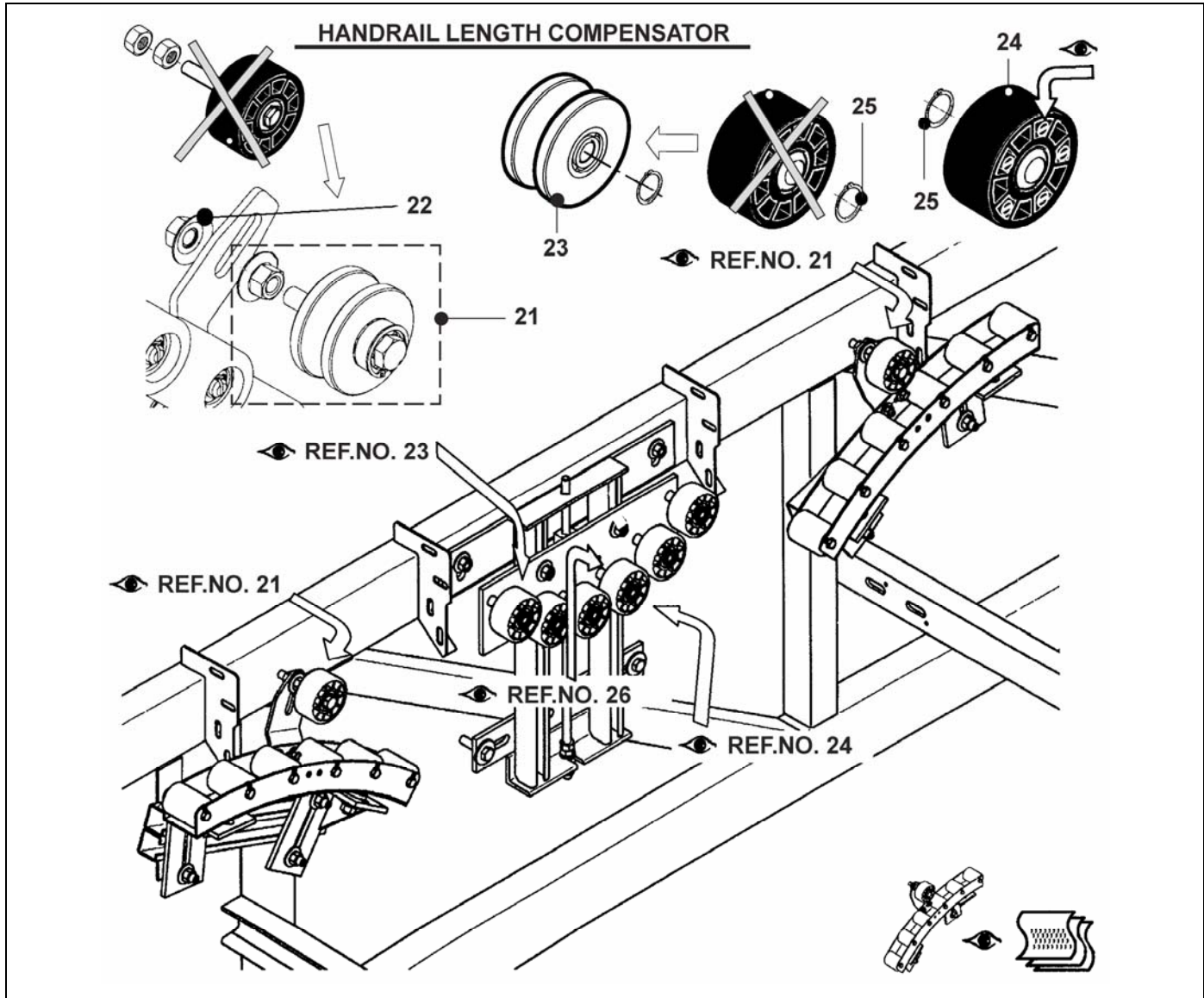
REF.NO.	PART OR M.L.	DESCRIPTION	TYPE
5	GAA494KX5	Handrail Drive Shaft w Pedestal Bearing	800
6	GAA494KX6	Handrail Drive Shaft w Pedestal Bearing	1000
7	GAA494KX7	Handrail Drive Shaft w Pedestal Bearing	800
8	GAA494KX8	Handrail Drive Shaft w Pedestal Bearing	1000
9	---	Hex. Screw ISO 4017 (DIN 933) M16x60 - (99416)	duplex sprocket
	---	Washer DIN 7349 17 -(163337)	
10	---	Nut DIN 508 M16 -(199430)	simplex sprocket
11	---	Washer ISO 7089 (DIN 125) A17 -(467730)	
	---	Hex. Screw ISO 4017 (DIN 933) M16x80 - (104703)	



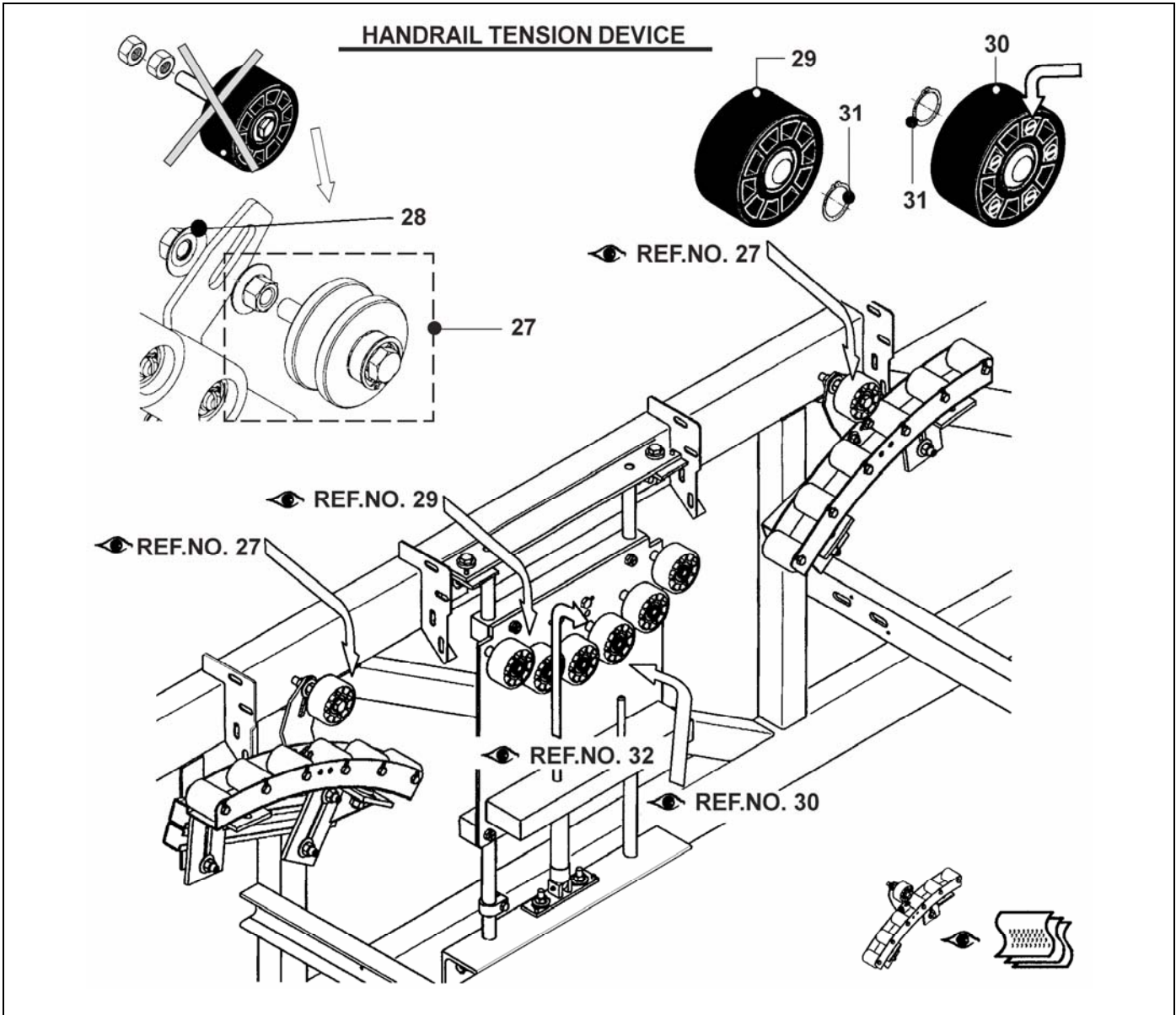
REF.NO.	PART OR M.L.	DESCRIPTION	
12	GAA265AL2	Sheave indoor	0° & 12° TOL
13	GAA265AL4	Sheave outdoor	
14	GAA265AT1	Sheave	(all Types and all inclinations)
15	GO2215AB43	Roller	(GAA456CX3)
16	GAA332Z1	Chain (w 9 rollers)	
17	GAA332Z2	Chain (w 8 rollers)	
18	GAA332Z3	Chain (w 10 rollers & lever)	



REF.NO.	PART OR M.L.	DESCRIPTION
19	GO2215AB29	Roller (GAA456DG3)
20	GO456BG2	Roller, indoor/outdoor Material: Brass
	GAA456DG2	

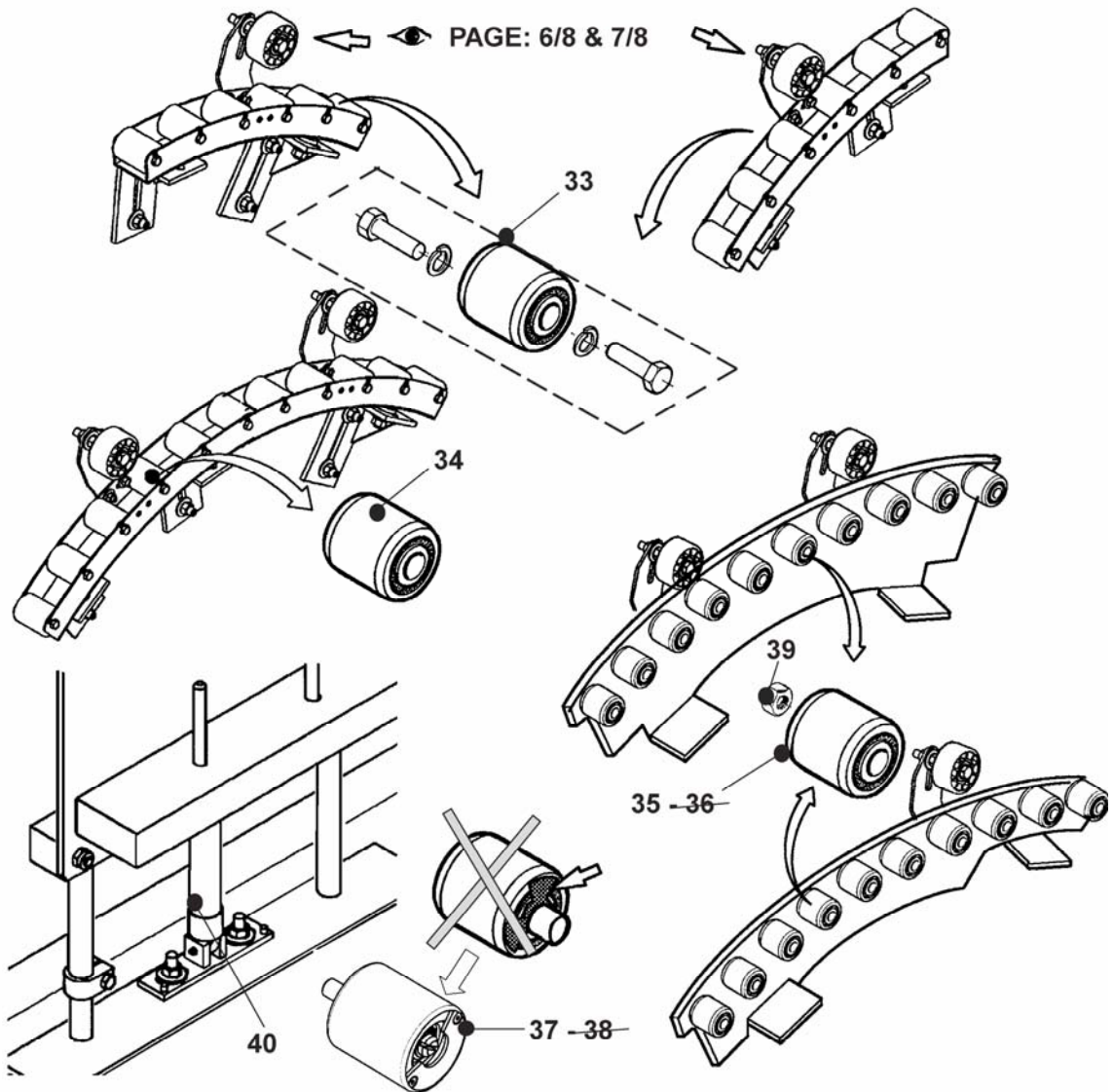


GAA26385B		
REF.NO.	PARTORM.L.	DESCRIPTION
21	GO2215AB54	Roller
	GAA456BM2	
	GAA456DC1	
	GAA456DR3	
22	GAA72BS6	Washer nut, 2x
23	GAA456CM4	Roller
	GAA456DJ1	
24	GAA456CM5	Roller
25	-----	Retaining ring 12 x 1 DIN 471 - (17202)
26	GAA608A2	Inductive Proximity Sensor (M12)



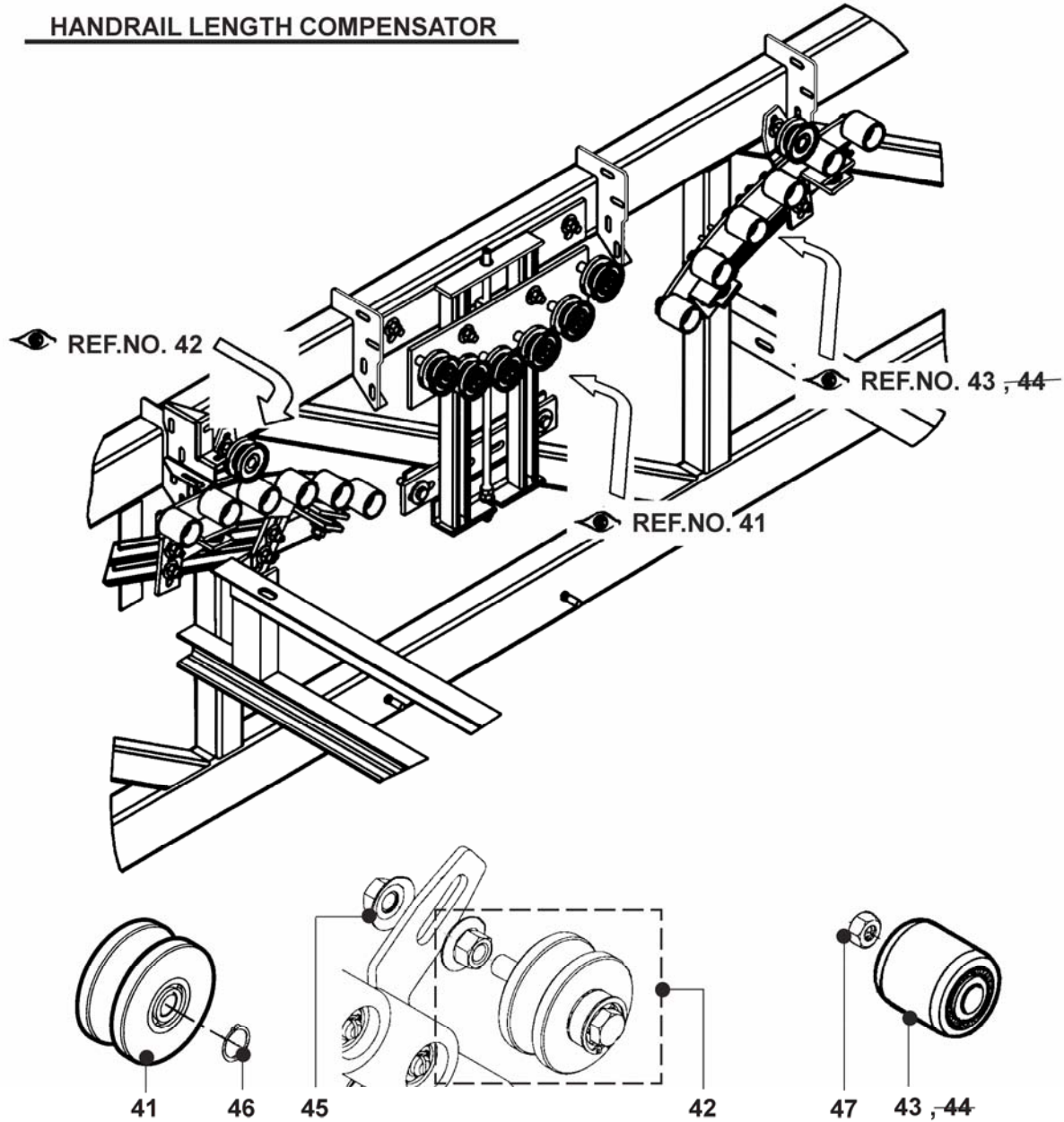
GAA26385C		
REF. NO.	PART OR M.L.	DESCRIPTION
27	GO2215AB54	Roller
	GAA456BM2	
	GAA456DC1	
	GAA456DR3	
28	GAA72BS6	Washer nut, 2x
29	GAA456CM4	Roller
30	GAA456CM5	Roller
31	-----	Retaining ring 12 x 1 DIN 471 - (17202)
32	GAA608A2	Inductive Proximity Sensor M12

HANDRAIL TENSION DEVICE & HANDRAIL LENGTH COMPENSATOR



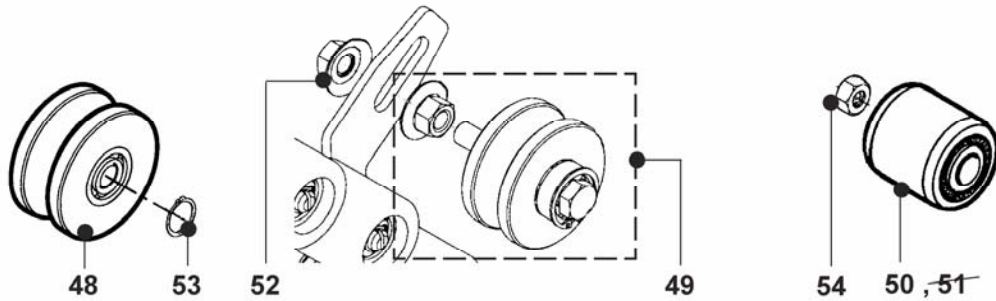
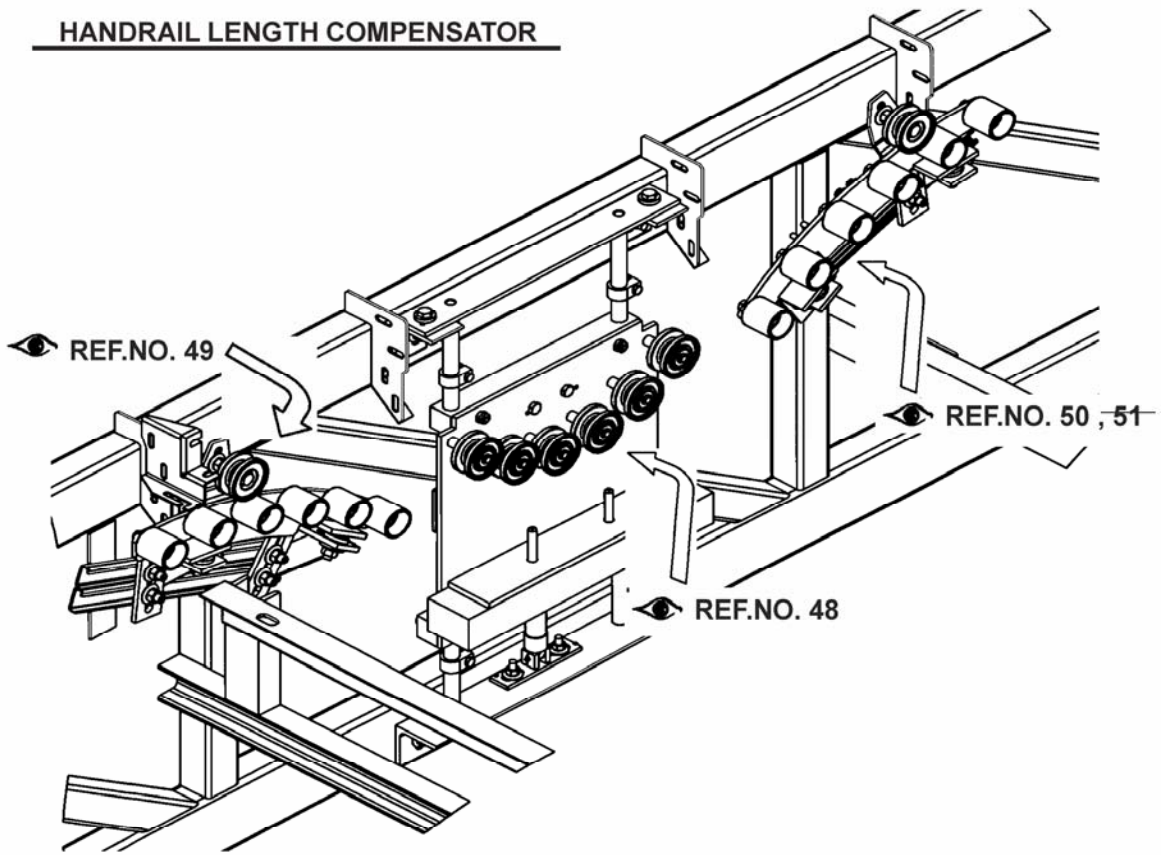
GAA26385B/GAA26385C		
REF. NO.	PART OR M.L.	DESCRIPTION
33	GO2215AB29	Roller (GAA456DG3)
34	GO456BG2 → GAA 456 DG 2	Roller, indoor/outdoor Material: Brass
35	GO456BG10 → GAA 456 DG 10	Roller, indoor/outdoor
36	GO456BG12 → GAA 456 DG 12	Roller, outdoor
37	GO456BG14 → GAA 456 DG 14	Roller, indoor/outdoor
38	GO456BG15 → GAA 456 DG 15	Roller, outdoor
39	-----	Hex. Nut, ISO 4032 - M10 - 8 - ZN, (98475)
40	GAA320AX2	Oilbrake

HANDRAIL LENGTH COMPENSATOR



GBA26385H		
REF.NO.	PART OR M.L.	DESCRIPTION
41	GAA456DJ1	Roller
42	GAA456DR3	Roller
43	GAA456DG1	Roller, indoor/outdoor
44	GAA456DG3	Roller
45	GAA72BS6	Washer nut
46	-----	Retaining ring 12 x 1 DIN 471 - (17202)
47	-----	Hex. Nut, ISO 4032 - M10 - 8 - ZN, (98475)

HANDRAIL LENGTH COMPENSATOR



GBA26385H		
REF.NO.	PART OR M.L.	DESCRIPTION
48	GAA456DJ1	Roller
49	GAA456DR3	Roller
50	GAA456DG1	Roller, indoor/outdoor
51	GAA456DG3	Roller
52	GAA72BS6	Washer nut
53	---	Retaining ring 12 x 1 DIN 471 - (17202)
54	---	Hex. Nut, ISO 4032 - M10 - 8 - ZN, (98475)