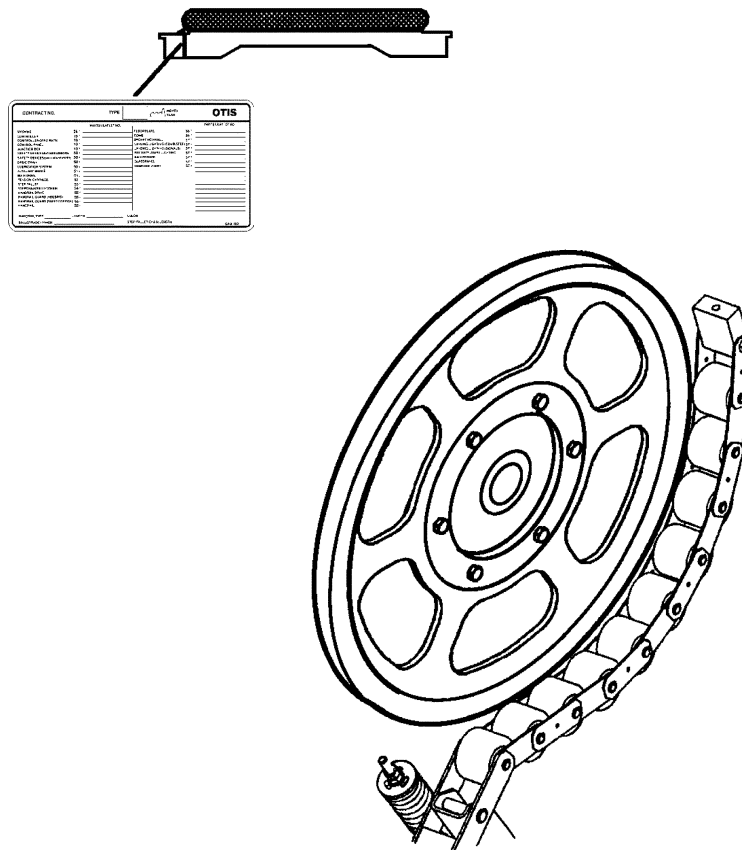


Trav-O-lator® 610NPT Handrail Drive

Spare Parts Leaflet

55-GAA26380J

07/01/2003 / Page 1 of 8



Unpublished Work—©Otis Elevator Co.; 2003

OTIS

Safety First!

ENGINEERING

**Otis Escalator Systems
Stadthagen, Germany**

Leaflet Description**Leaflet Revisions**

Date Revised	Subject Matter Expert	Reason for Revision
January 10, 2003	Wilfried Gohlke	- - -
July 10, 2003	Ulrich Harting	Rollers without stainless steel bearings

Related Drawings

Drawing No.	Title	Drawing No.	Title
GAA26380J	Travolator Handrail Drive	- - -	- - -
- - -	- - -	- - -	- - -

Related Documents

Document ID	Title
- - -	- - -
- - -	- - -

Subject Matter Expert

Name	Department
Ulrich Harting	Engineering Stadthagen, Germany

About Spare Parts Leaflets...

This document lists the lowest replaceable units (LRUs) for the standard version of the product. The LRUs are chosen by a team of Otis associates representing engineering and manufacturing.

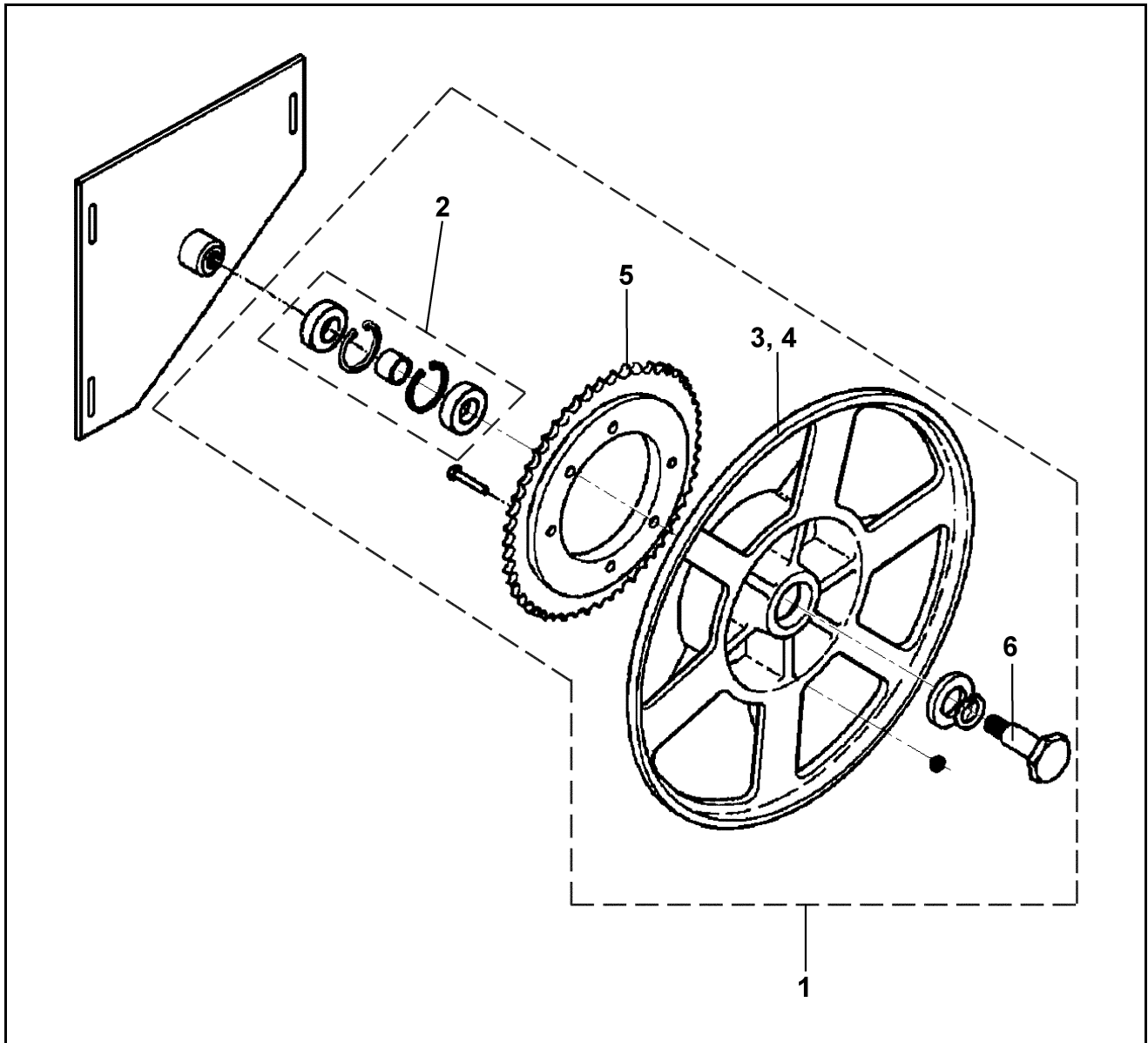
While goal of this document is to make parts identification as easy as possible, the document cannot be all-inclusive. Elevator and escalator contracts classified as "special" or "custom" are not addressed here. For such contracts, please refer to specified information, the contract folder, TIPs, Field Education Articles, Construction Letters, etc. for further information.

If you have any suggestions about this document, please contact the subject matter expert listed on this page.

Trav-O-lator® 610NPT

Handrail Drive

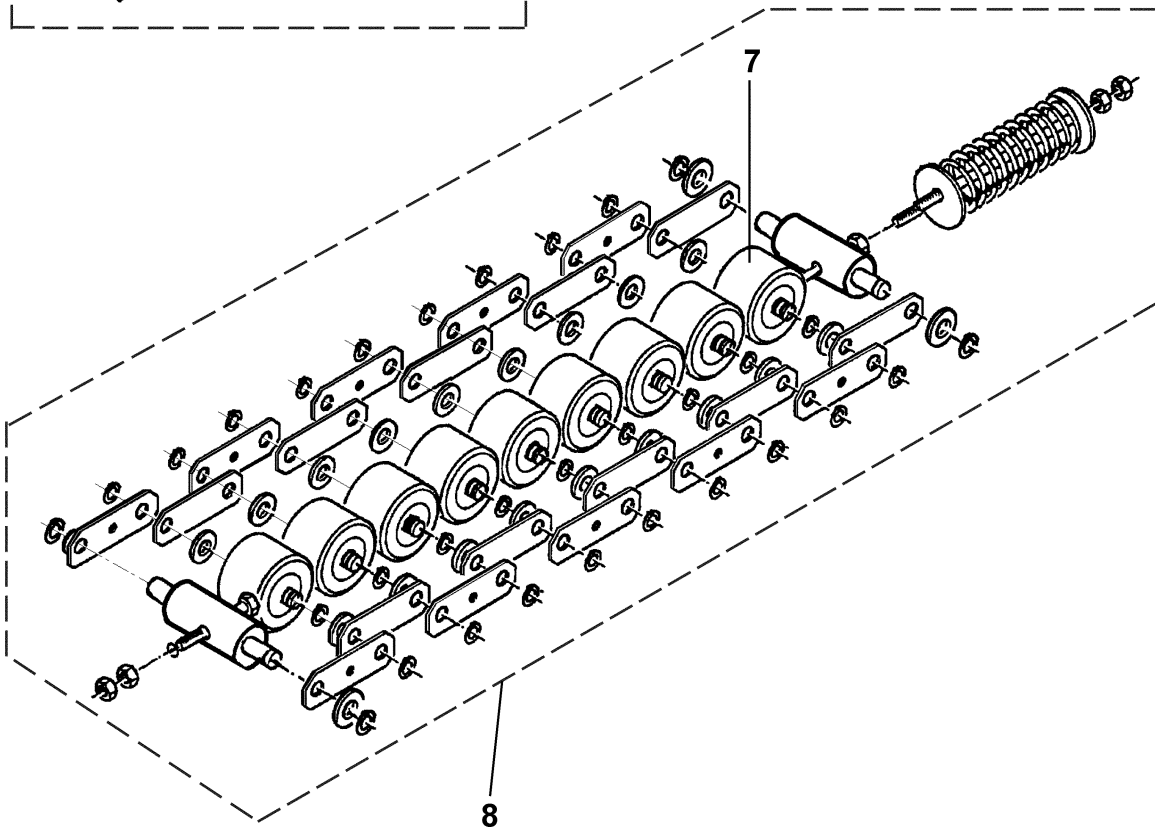
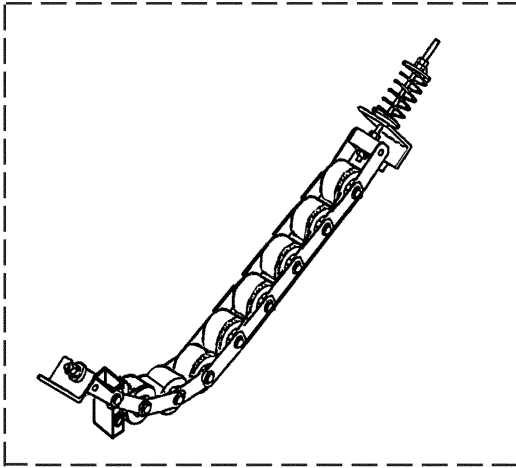
55-GAA26380J



GAA26380G		
REF. No.	PART No.	DESCRIPTION
1	GO2215AB28	Handrail Drive Wheel Complete
2	GO2215AB23	Roller Bearing Complete
3	GOA265A4	Handrail Drive Wheel, Outdoor
4	GOA265A2	Handrail Drive Wheel, Indoor
5	GO195JN1	Sprocket
6	GOA502F2	Axle

55-GAA26380J

Trav-O-lator® 610NPT Handrail Drive



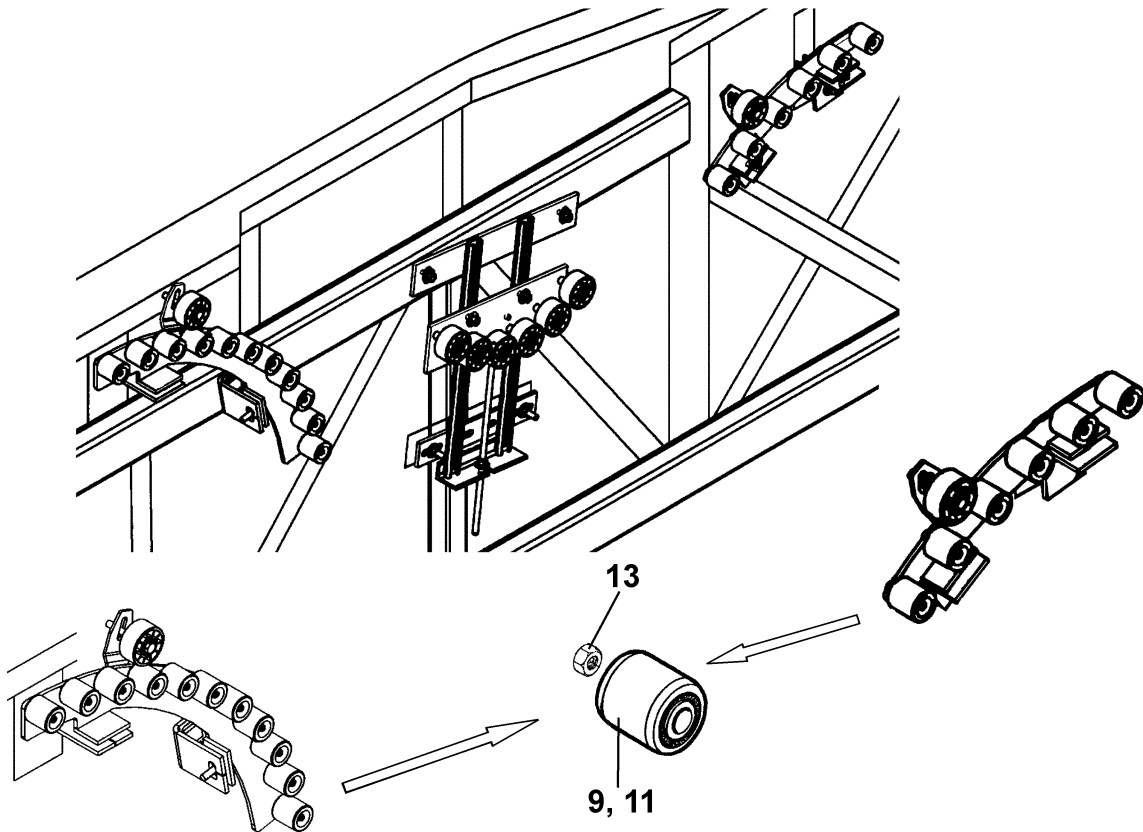
GAA26380J		
REF. No.	PART No.	DESCRIPTION
7	GO2215AB43	Roller
8	GAA332Z3	Chain (w/ 10 rollers & lever)

Trav-O-lator® 610NPT

Handrail Drive

55-GAA26380J

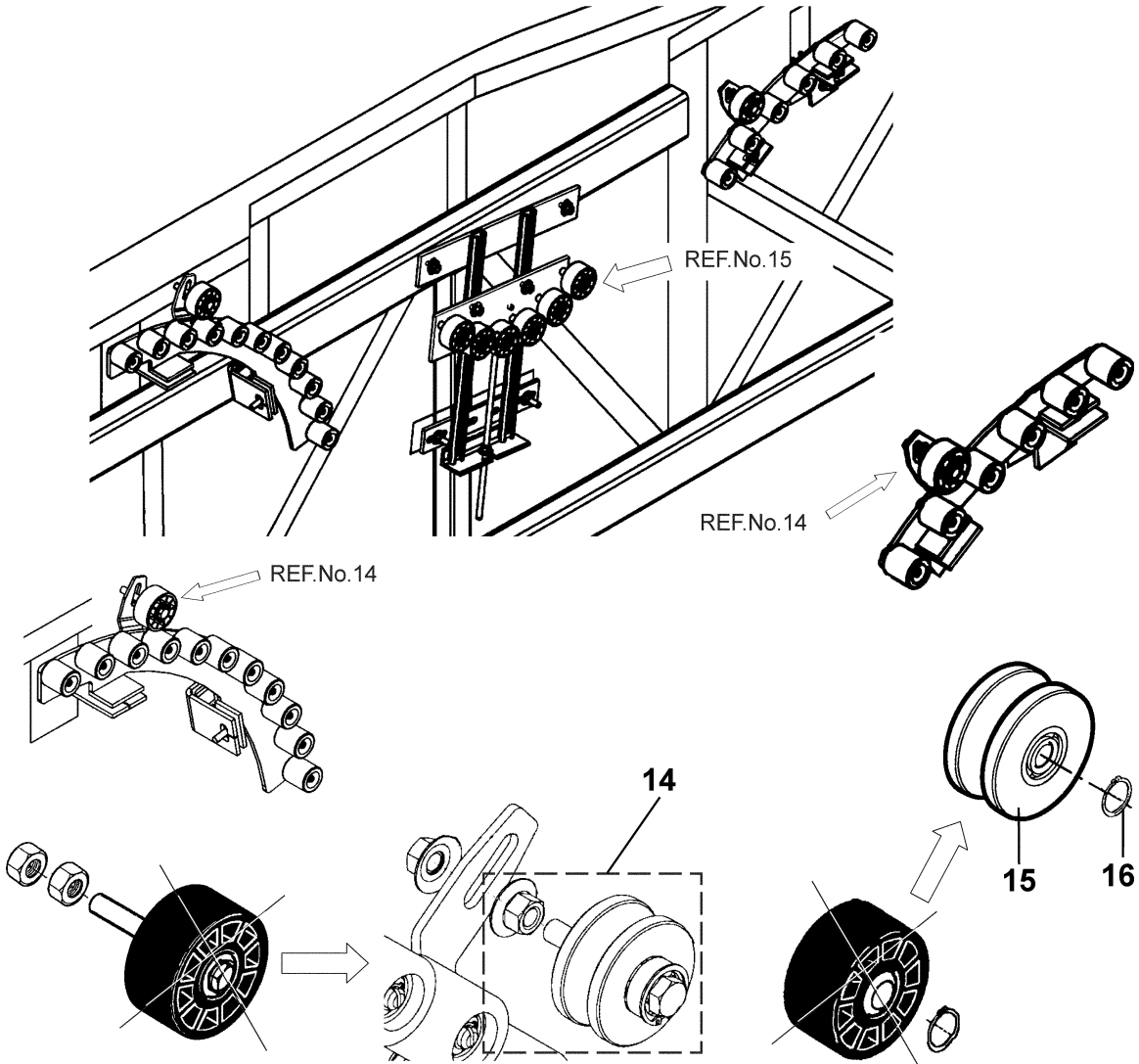
Handrail Length Compensator



GAA26385F		
REF. No.	PART No.	DESCRIPTION
9	GAA456DG10	Roller, Indoor / Outdoor
40	GAA456DG12	Roller, Outdoor
11	GAA456DG11	Antistatic Roller, Indoor / Outdoor, Material: Brass
42	GAA456DG13	Antistatic Roller, Outdoor, Material: Brass
13	---	Hex, Nut, ISO4032-M10-8-ZN-(98475)

**Trav-O-lator® 610NPT
Handrail Drive**

Handrail Length Compensator

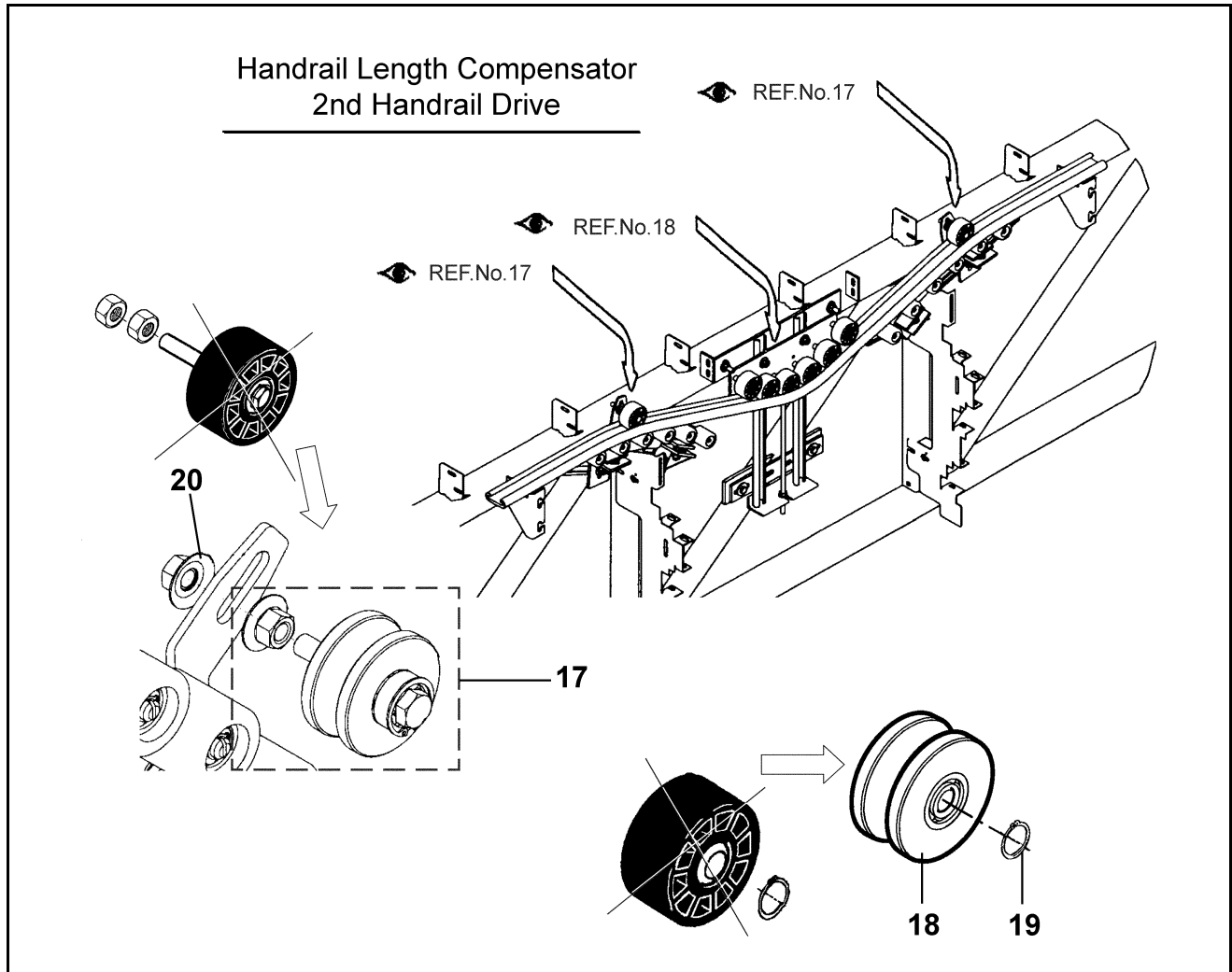


GAA26385F		
REF. No.	PART No.	DESCRIPTION
14	GO456BM2 GAA456DC1 GAA456DR1	Roller
15	GAA456CM4 GAA456DJ1	Roller
16	---	Retaining Ring, 12x1 DIN471-(17202)

Trav-O-lator® 610NPT

Handrail Drive

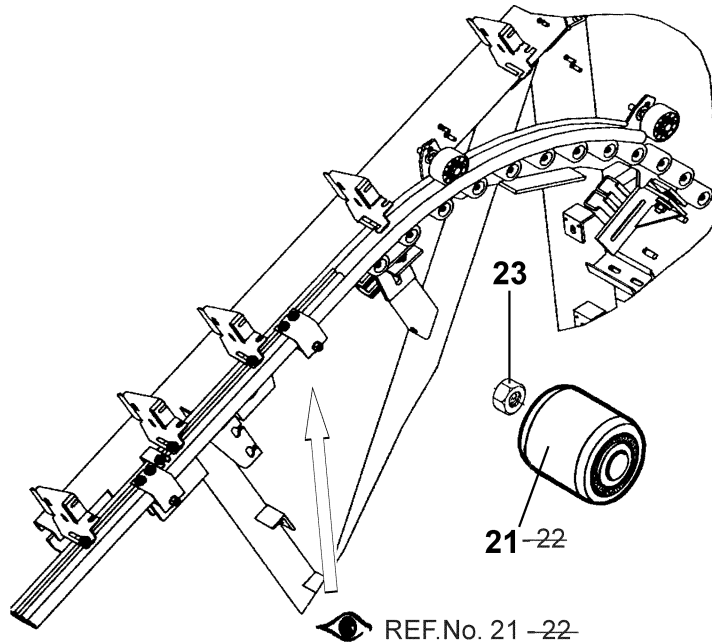
55-GAA26380J



REF. No.	PART No.	DESCRIPTION
	GAA26180M GBA26180M	
17	GQ456BM2 GAA456DC4 GAA456DR3 GAA456DR4	Roller, Indoor Roller, Outdoor
18	GAA456CM4 GAA456DJ1	Roller
19	- - -	Retaining Ring, 12x1 DIN471-(17202)
20	GAA72BS6	Washer Nut

55-GAA26380J

Trav-O-lator® 610NPT Handrail Drive



REF. No.	PART No.	DESCRIPTION
	GAA26180M GBA26180M	
21	GAA456DG11	Antistatic Roller, Indoor / Outdoor, Material: Brass
22	GAA456DG13	Antistatic Roller, Outdoor, Material: Brass
23	- - -	Hex, Nut, ISO4032-M10-8-ZN-(98475)