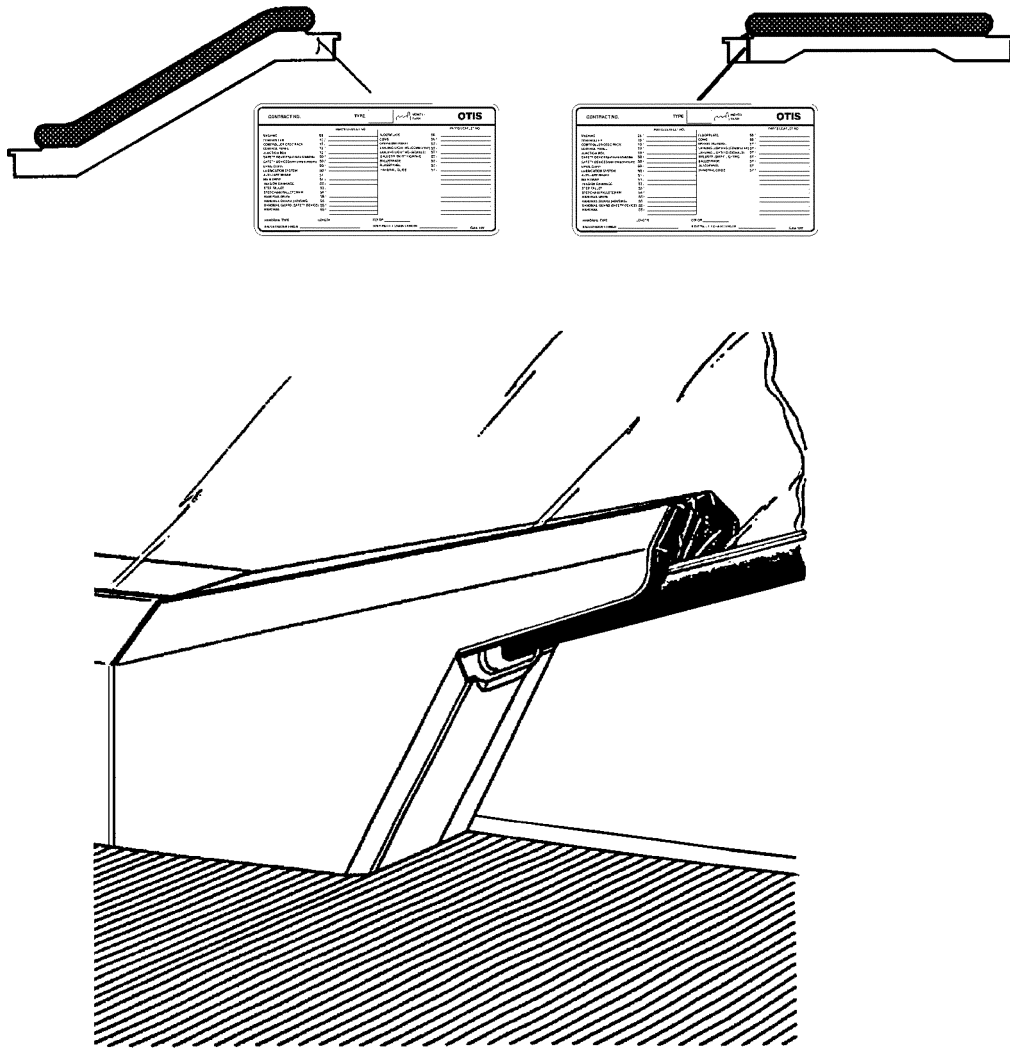


**Escalator 506 NCE,
Trav-O-Lator® 606 NCT:
Handrail Guard**

Spare Parts Leaflet

55-GAA330BE

January 1, 2003 / Page 1 of 19



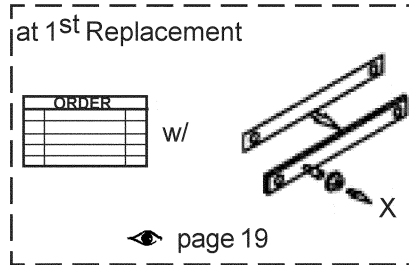
OTIS

Safety First!

ENGINEERING
Otis Escalator Systems
Stadthagen, Germany

Leaflet Description

This type of handrail entry guard is the third generation of this component and replaces **only** the second generation **GAA330BD**.



Leaflet Revisions

Date Revised	Subject Matter Expert	Reason for Revision
January 1, 2003	Wilfried Gohlke	- - -
- - -	- - -	- - -

Related Drawings

Drawing No.	Title	Drawing No.	Title
GAA330BE	Handrail Entry Guard	- - -	- - -
- - -	- - -	- - -	- - -

Related Documents

Document ID	Title
- - -	- - -
- - -	- - -

Subject Matter Expert

Name	Department
Wilfried Gohlke	Engineering, Stadthagen, Germany

About Spare Parts Leaflets...

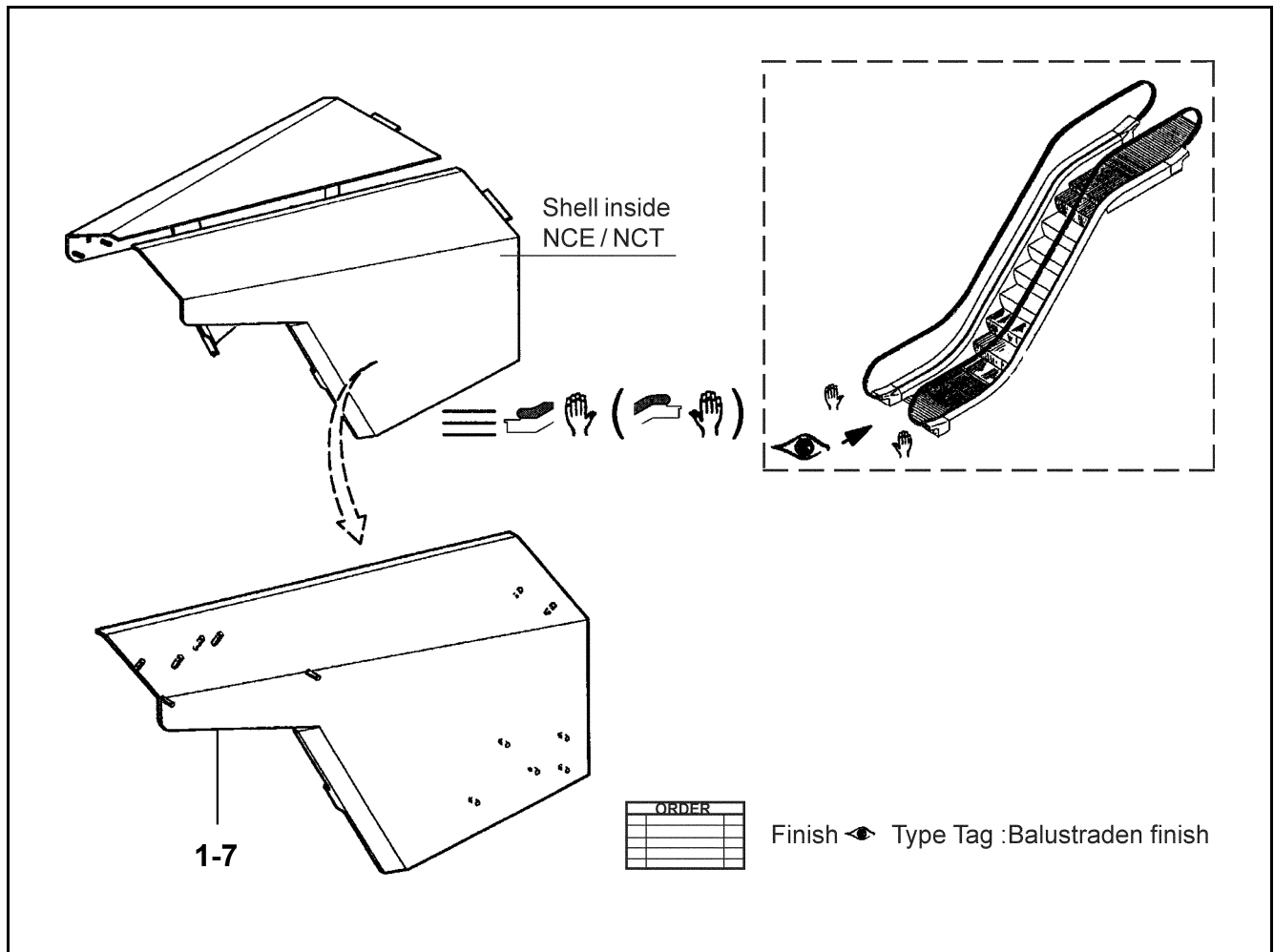
This document lists the lowest replaceable units (LRUs) for the standard version of the product. The LRUs are chosen by a team of Otis associates representing engineering and manufacturing.

While goal of this document is to make parts identification as easy as possible, the document cannot be all-inclusive. Elevator and escalator contracts classified as "special" or "custom" are not addressed here. For such contracts, please refer to specified information, the contract folder, TIPs, Field Education Articles, Construction Letters, etc. for further information.

If you have any suggestions about this document, please contact the subject matter expert listed on this page.

Escalator 506 NCE, Trav-O-Lator® 606 NCT: Handrail Guard

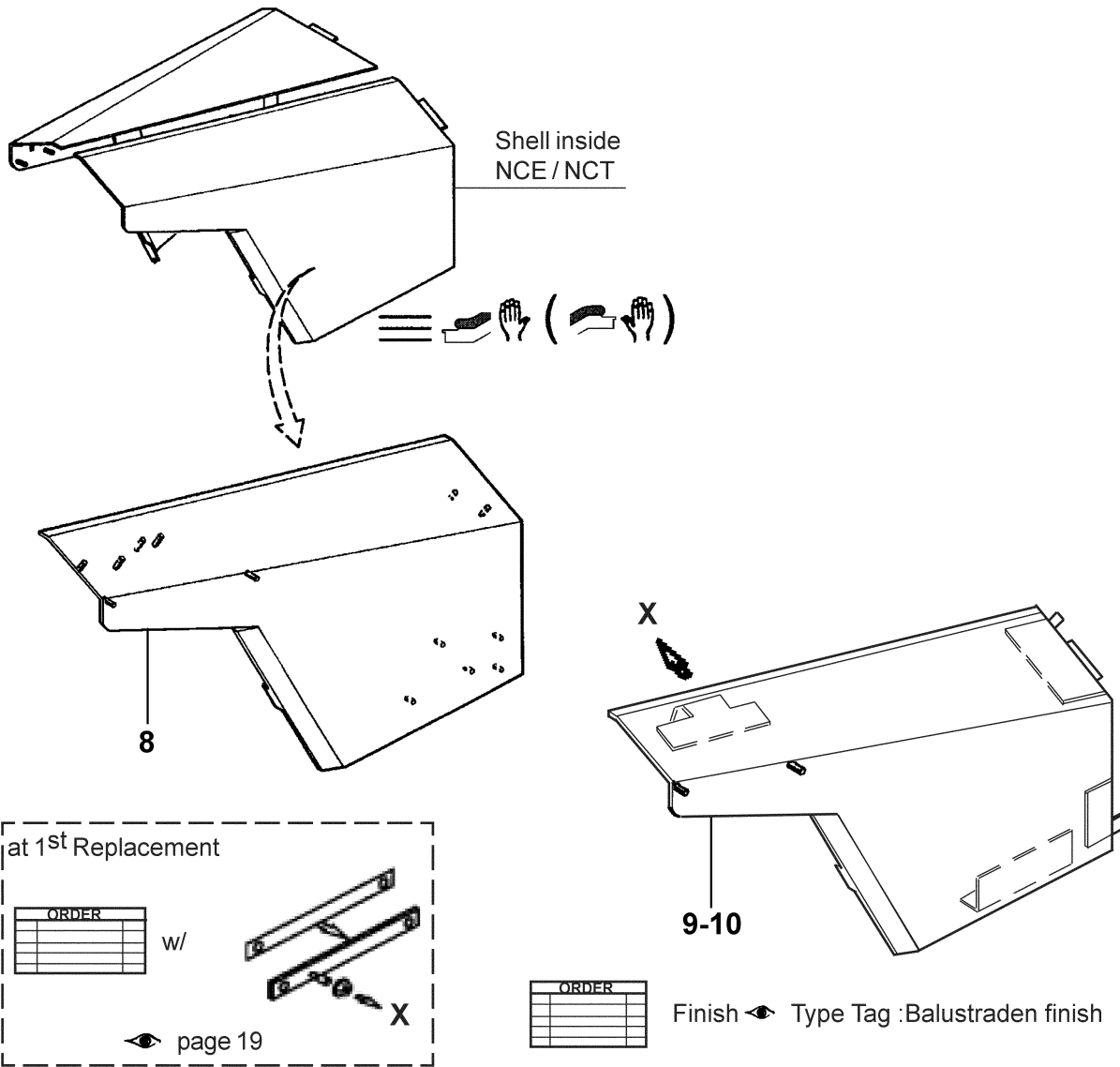
55-GAA330BE



GAA330BE		DESCRIPTION	FINISH	LOCATED
REF. No.	PART No.	DESCRIPTION	FINISH	LOCATED
1	GAA402CAB1	Shell, Aluminum	Eloxal	&
2	GAA402CAB2	Shell, Aluminum	Eloxal	&
3	GAA402CAB3	Shell, Aluminum	STAL25	&
4	GAA402CAB4	Shell, Aluminum	STAL25	&
5	GAA402CAB5	Shell, Aluminum	Guardian	&
6	GAA402CAB6	Shell, Aluminum	Guardian	&
7	GAA402CAB7 GAA402CAB9	Shell, Steel	G2 G40	&

55-GAA330BE

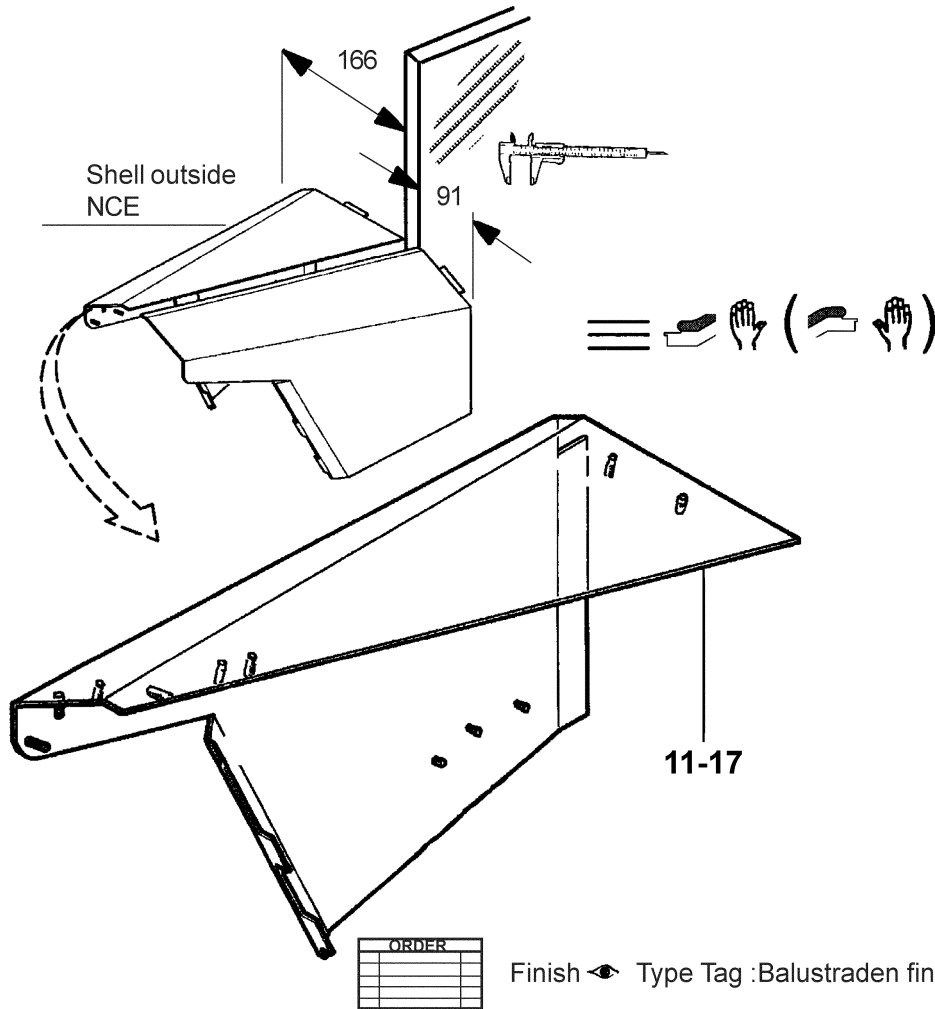
Escalator 506 NCE, Trav-O-Lator® 606 NCT: Handrail Guard



GAA330BE				
REF. No.	PART No.	DESCRIPTION	FINISH	LOCATED
8	GAA402CAB10 GAA402CAB8	Shell, Steel	G10 G2	&
9	GAA402CAA1	Shell, Steel	Powder Coated	&
10	GAA402CAA2	Shell, Steel	Powder Coated	&

Escalator 506 NCE, Trav-O-Lator® 606 NCT: Handrail Guard

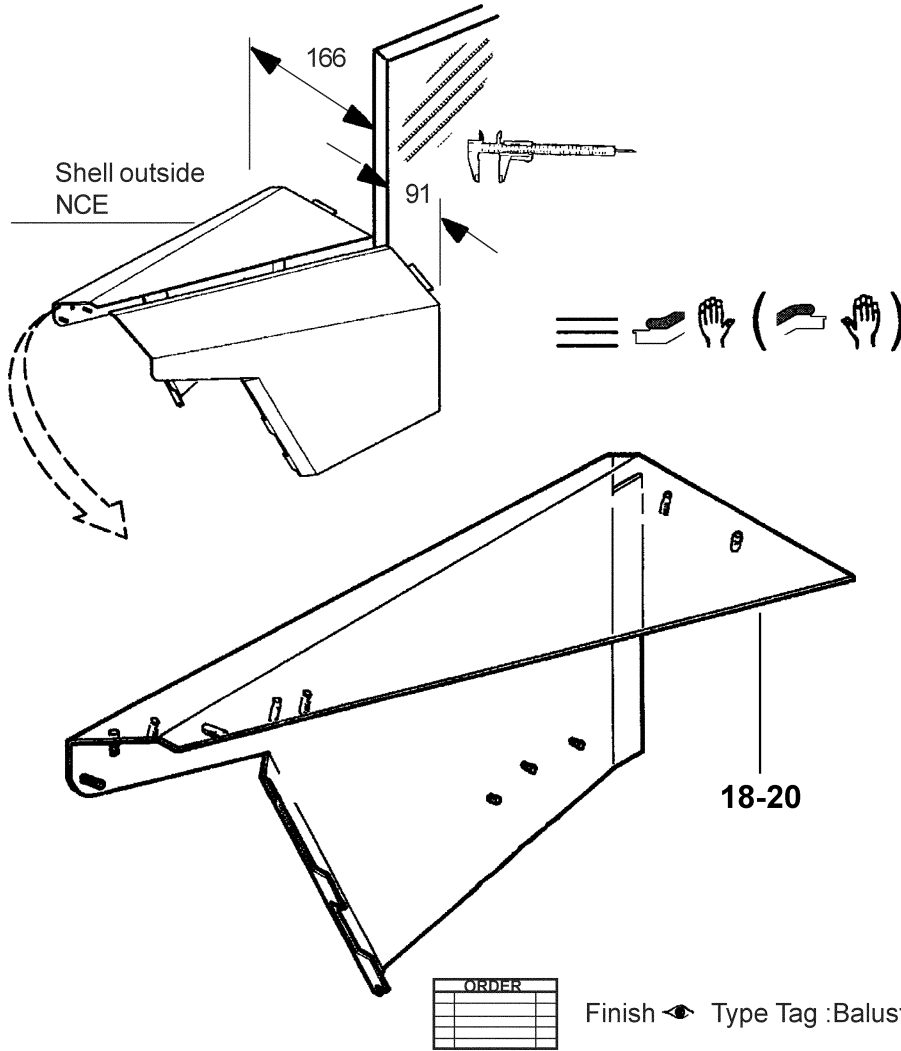
55-GAA330BE















GAA330BE				
REF. No.	PART No.	DESCRIPTION	FINISH	LOCATED
11	GAA402CAB11	Shell, Aluminum	Eloxal	
12	GAA402CAB12	Shell, Aluminum	Eloxal	
13	GAA402CAB13	Shell, Aluminum	STAL25	
14	GAA402CAB14	Shell, Aluminum	STAL25	
15	GAA402CAB15	Shell, Aluminum	Guardian	
16	GAA402CAB16	Shell, Aluminum	Guardian	
17	GAA402CAB17 GAA402CAB19	Shell, Steel	G2 G40	

55-GAA330BE

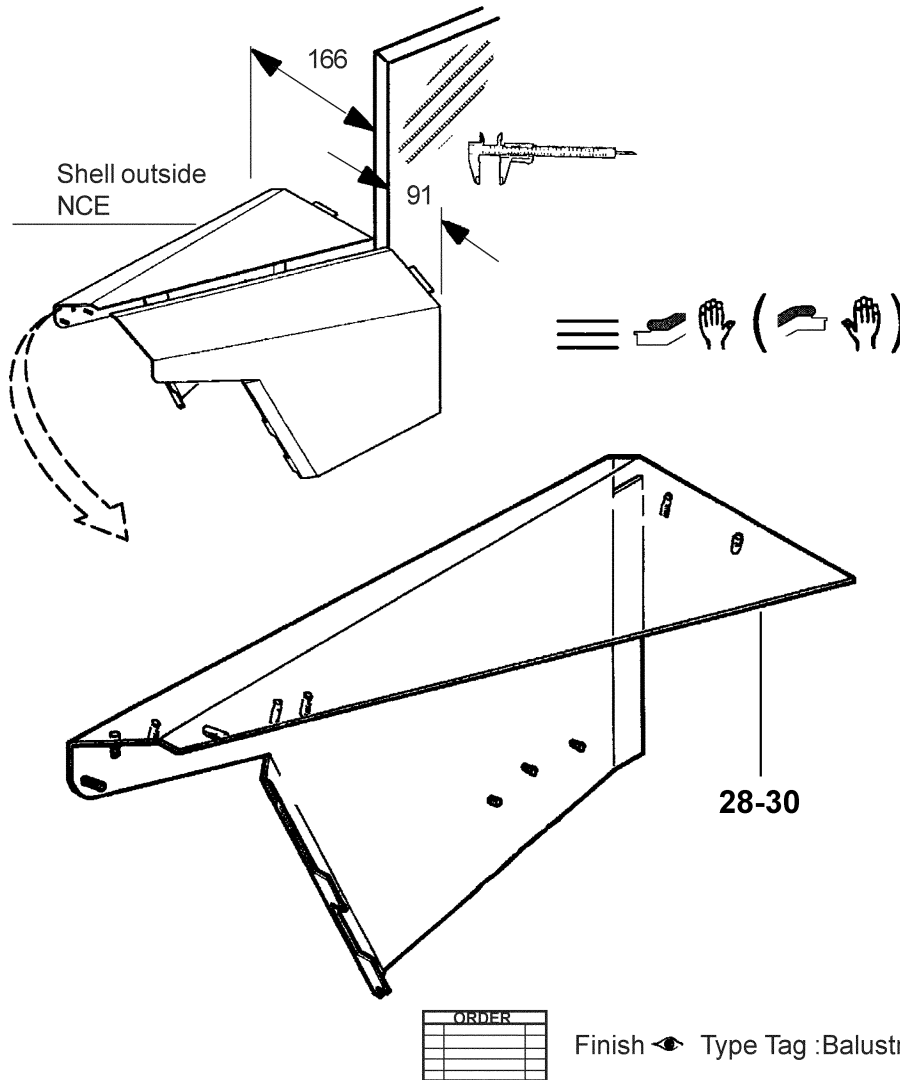
**Escalator 506 NCE, Trav-O-Lator®
606 NCT: Handrail Guard**















GAA330BE				
REF. No.	PART No.	DESCRIPTION	FINISH	LOCATED
18	GAA402CAB20 GAA402CAB18	Shell, Steel	G40 G2	  &  
19	GAA402CAA11	Shell, Steel	Powder Coated	  &  
20	GAA402CAA12	Shell, Steel	Powder Coated	  &  

55-GAA330BE

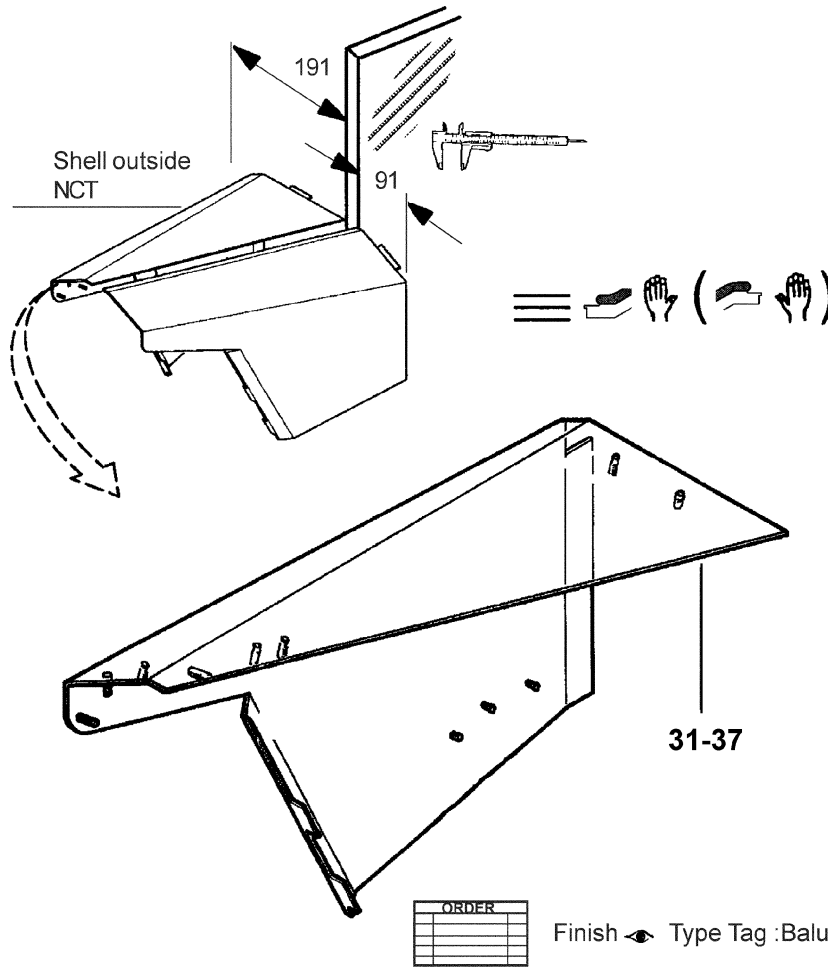
Escalator 506 NCE, Trav-O-Lator® 606 NCT: Handrail Guard


























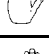

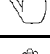


GAA330BE				
REF. No.	PART No.	DESCRIPTION	FINISH	LOCATED
28	GAA402CAB-V20 GAA402CAB-V18	Shell, Steel	G10 G2	  &  
29	GAA402CAA-V11	Shell, Steel	Powder Coated	  &  
30	GAA402CAA-V12	Shell, Steel	Powder Coated	  &  

Escalator 506 NCE, Trav-O-Lator® 606 NCT: Handrail Guard

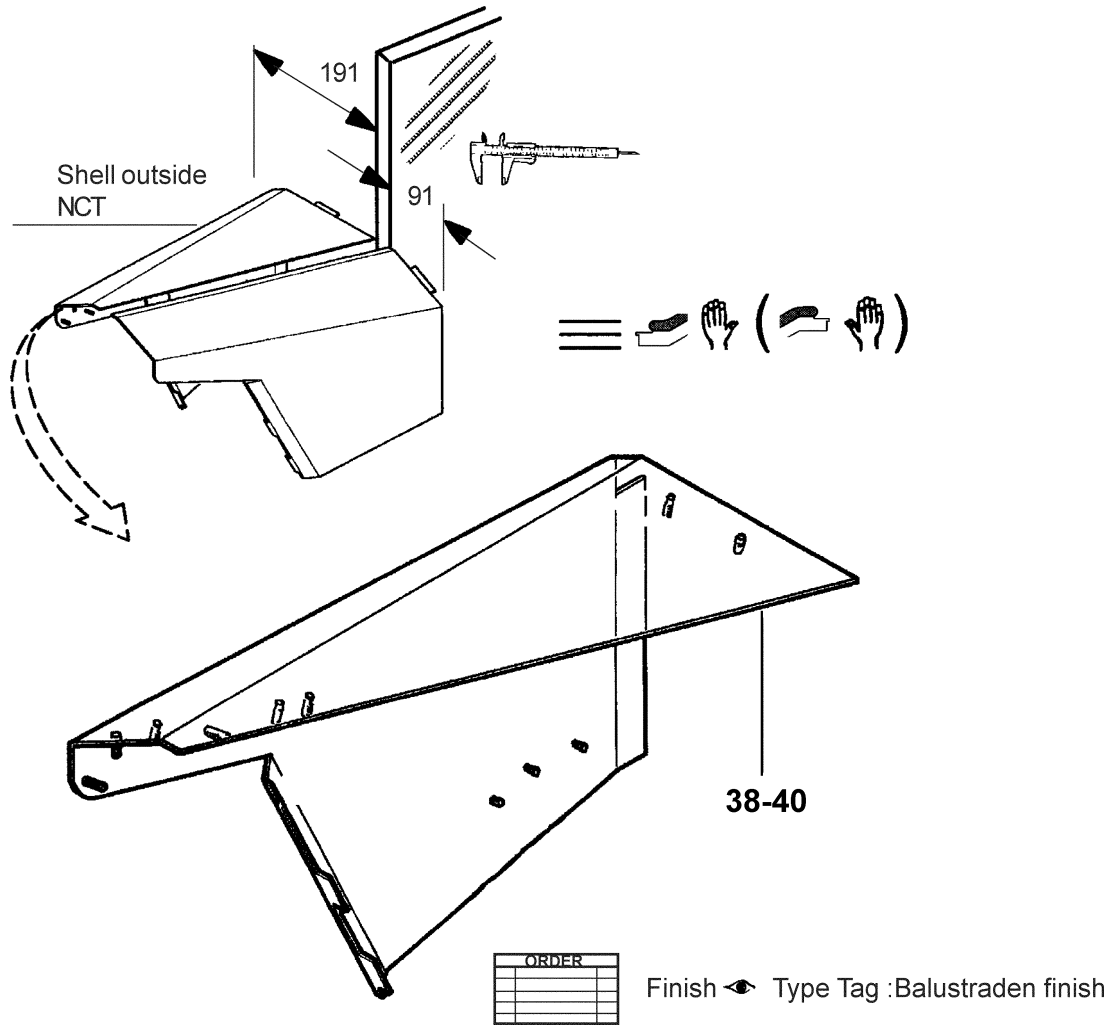
55-GAA330BE















GAA330BE				
REF. No.	PART No.	DESCRIPTION	FINISH	LOCATED
31	GAA402CAB21	Shell, Aluminum	Eloxal	  &  
32	GAA402CAB22	Shell, Aluminum	Eloxal	  &  
33	GAA402CAB23	Shell, Aluminum	STAL25	  &  
34	GAA402CAB24	Shell, Aluminum	STAL25	  &  
35	GAA402CAB25	Shell, Aluminum	Guardian	  &  
36	GAA402CAB26	Shell, Aluminum	Guardian	  &  
37	GAA402CAB27 GAA402CAB29	Shell, Steel	G2 G40	  &  

55-GAA330BE

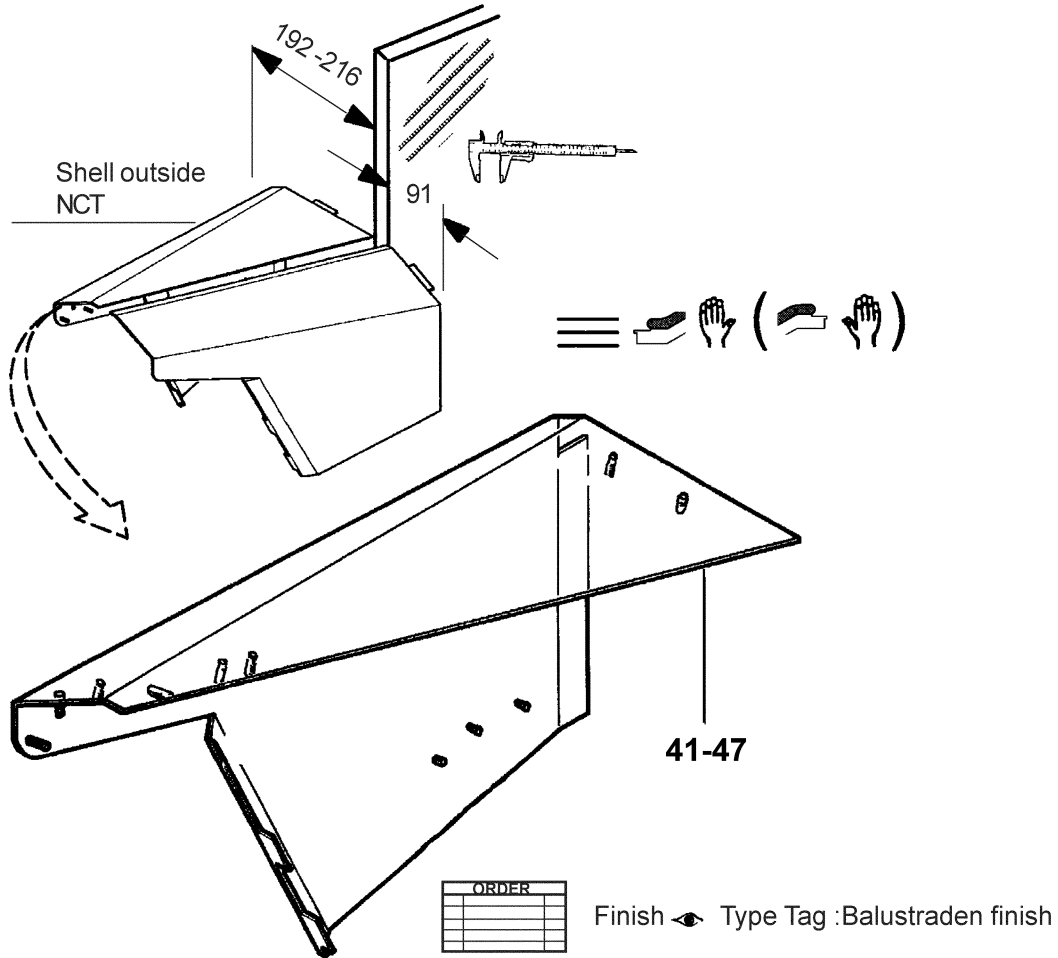
**Escalator 506 NCE, Trav-O-Lator®
606 NCT: Handrail Guard**



GAA330BE		DESCRIPTION	FINISH	LOCATED
REF. No.	PART No.			
38	GAA402CAB30 GAA402CAB28	Shell, Steel	G10 G2	  &  
39	GAA402CAA13	Shell, Steel	Powder Coated	  &  
40	GAA402CAA14	Shell, Steel	Powder Coated	  &  

Escalator 506 NCE, Trav-O-Lator® 606 NCT: Handrail Guard

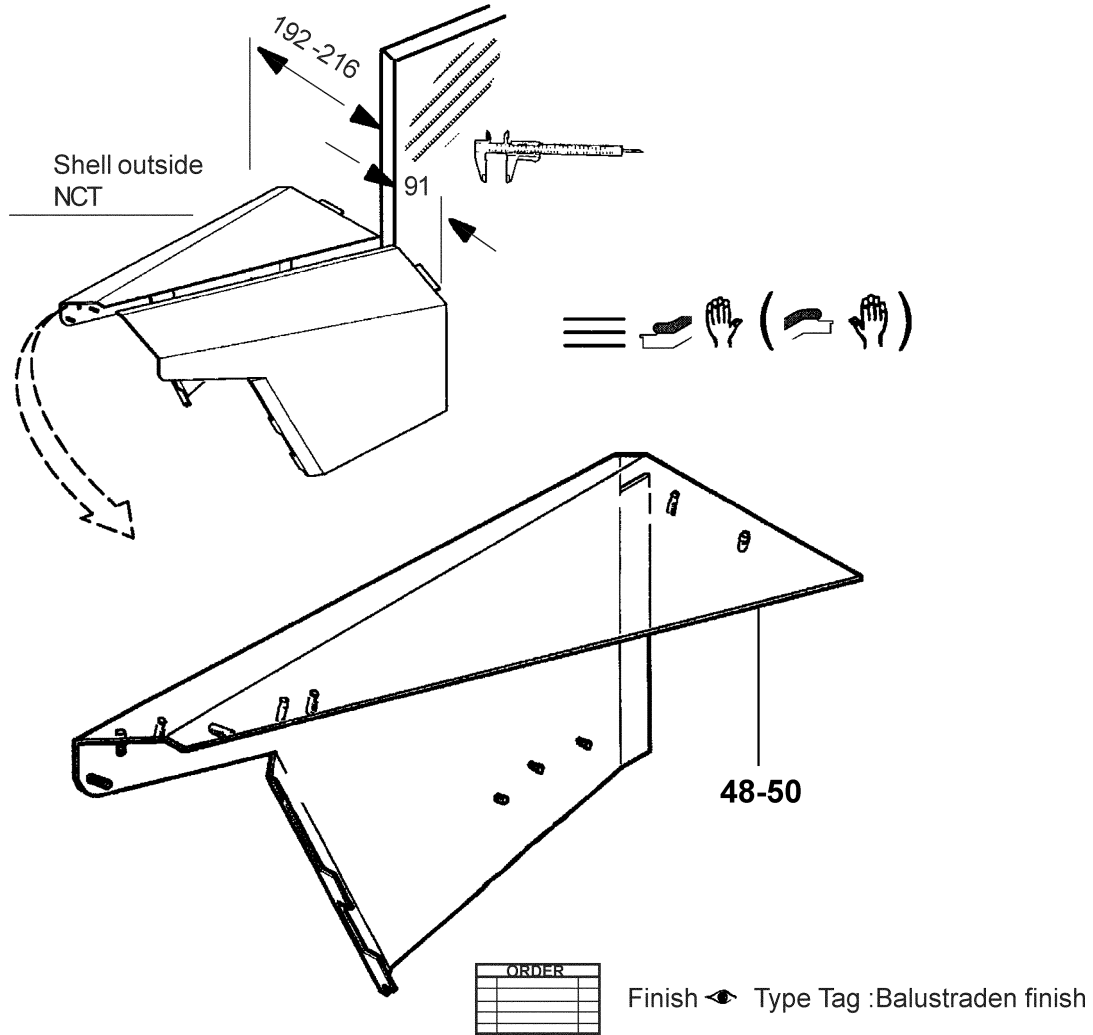
55-GAA330BE



GAA330BE				
REF. No.	PART No.	DESCRIPTION	FINISH	LOCATED
41	GAA402CAB-V21	Shell, Aluminum	Eloxal	&
42	GAA402CAB-V22	Shell, Aluminum	Eloxal	&
43	GAA402CAB-V23	Shell, Aluminum	STAL25	&
44	GAA402CAB-V24	Shell, Aluminum	STAL25	&
45	GAA402CAB-V25	Shell, Aluminum	Guardian	&
46	GAA402CAB-V26	Shell, Aluminum	Guardian	&
47	GAA402CAB-V27 GAA402CAB-V29	Shell, Steel	G2 G40	&

55-GAA330BE

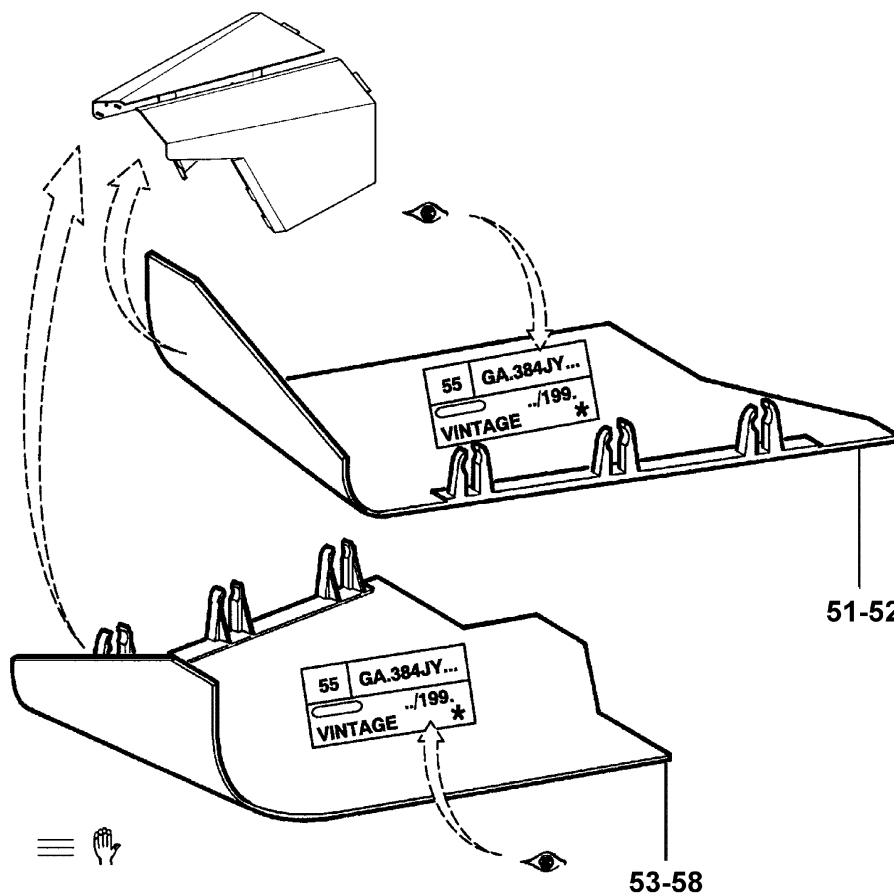
Escalator 506 NCE, Trav-O-Lator® 606 NCT: Handrail Guard



GAA330BE				
REF. No.	PART No.	DESCRIPTION	FINISH	LOCATED
48	GAA402CAB-V30 GAA402CAB-V26	Shell, Steel	G40 G2	&
49	GAA402CAA-V13	Shell, Steel	Powder Coated	&
50	GAA402CAA-V14	Shell, Steel	Powder Coated	&

Escalator 506 NCE, Trav-O-Lator® 606 NCT: Handrail Guard

55-GAA330BE

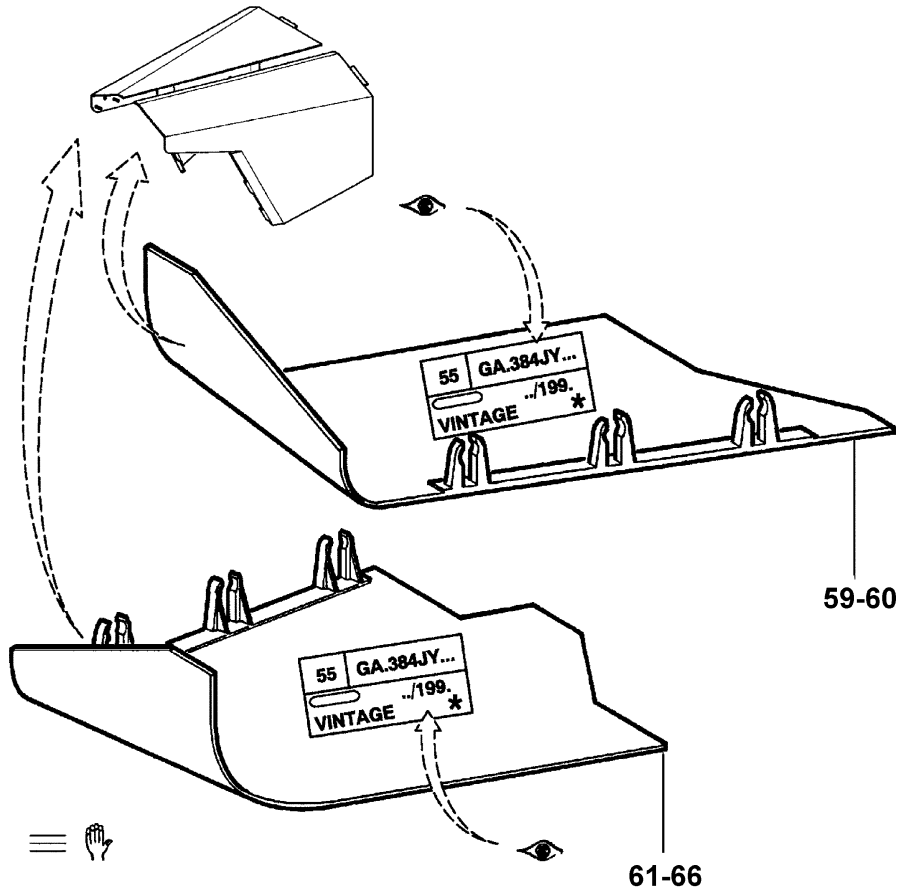


GAA330BE

REF. No.	PART No.	DESCRIPTION	LOCATED	TYPE
51	GAA384JY1 GAB384JY1	Deflector, Guard	Inside,	NCE / NCT
52	GAA384JY2 GAB384JY2	Deflector, Guard	Inside,	NCE / NCT
53	GAA384JY3 GAB384JY3	Deflector, Guard	Outside,	NCE
54	GAA384JY4 GAB384JY4	Deflector, Guard	Outside,	NCE
55	GAA384JY5 GAB384JY5	Deflector, Guard	Outside,	NCE / NCT
56	GAA384JY6 GAB384JY6	Deflector, Guard	Outside,	NCE / NCT
57	GAA384JY7 GAB384JY7	Deflector, Guard	Outside,	---
58	GAA384JY8 GAB384JY8	Deflector, Guard	Outside,	---

55-GAA330BE

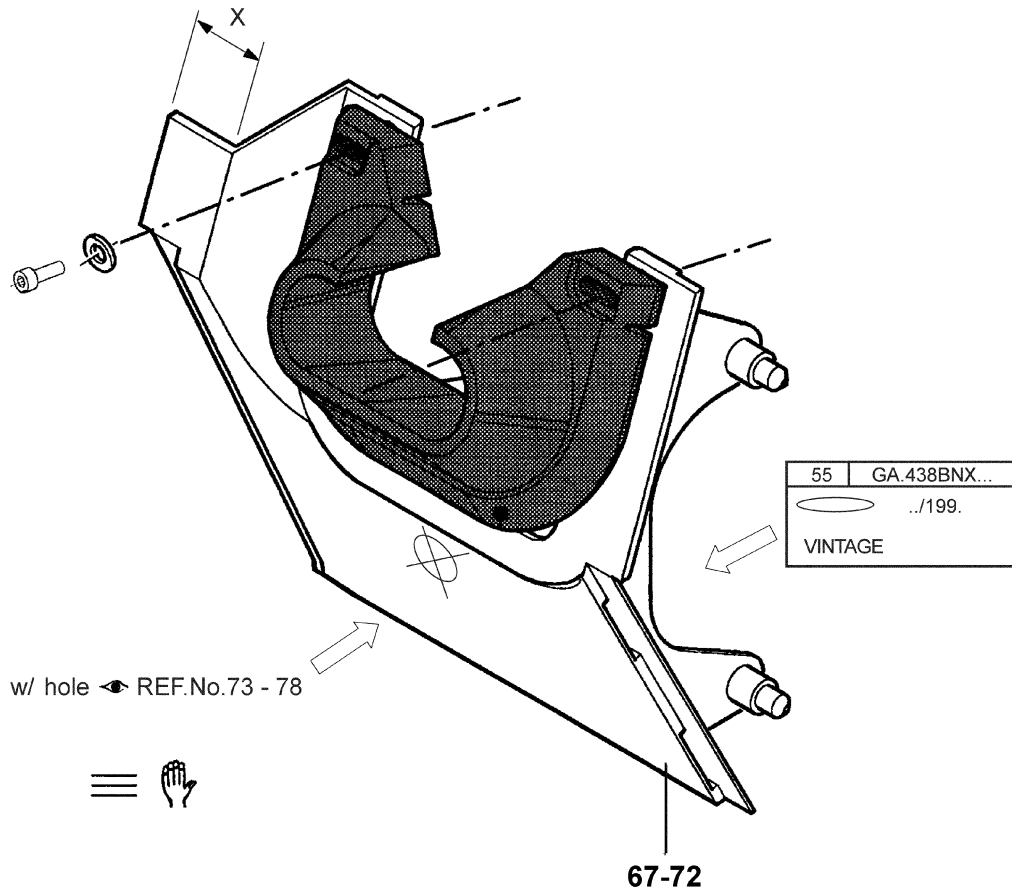
Escalator 506 NCE, Trav-O-Lator® 606 NCT: Handrail Guard



GAA330BE				
REF. No.	PART No.	DESCRIPTION	LOCATED	TYPE
59	GAB384JY11	Deflector, Guard	Inside,	Only for Balustrade with Newel Rollerbow
60	GAB384JY12	Deflector, Guard	Inside,	
61	GAB384JY13	Deflector, Guard	Outside,	
62	GAB384JY14	Deflector, Guard	Outside,	
63	GAB384JY15	Deflector, Guard	Outside,	
64	GAB384JY16	Deflector, Guard	Outside,	
65	GAB384JY17	Deflector, Guard	Outside,	
66	GAB384JY18	Deflector, Guard	Outside,	

Escalator 506 NCE, Trav-O-Lator® 606 NCT: Handrail Guard

55-GAA330BE

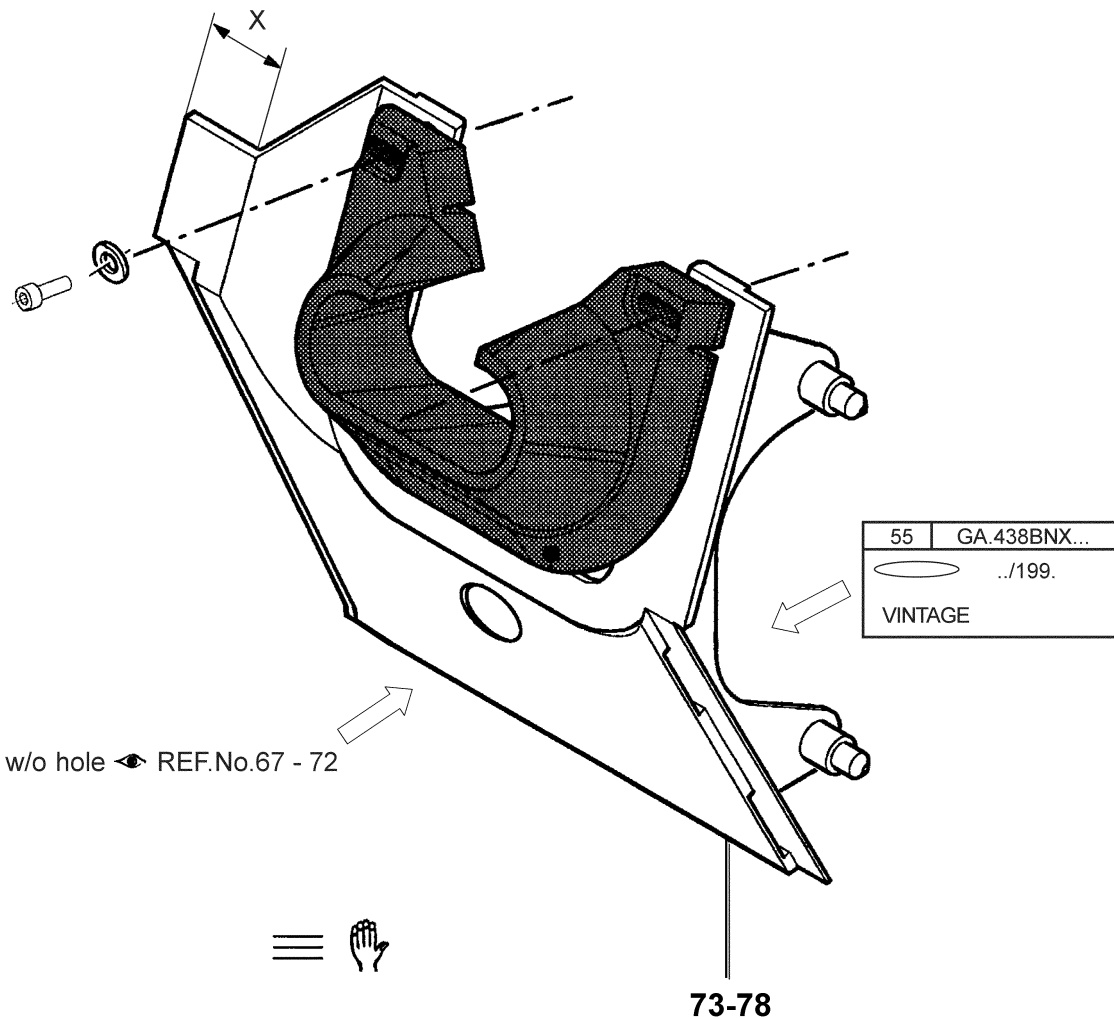


GAA330BE

REF. No.	PART No.	DESCRIPTION	DIM X	ARRANGEMENT
67	GAA438BNX1 GAB438BNX1	Frontplate,	---	
68	GAA438BNX2 GAB438BNX2	Frontplate,	---	
69	GAA438BNX3 GAB438BNX3	Frontplate,	53 mm	
70	GAA438BNX4 GAB438BNX4	Frontplate,	53 mm	
71	GAA438BNX5 GAB438BNX5	Frontplate,	78 mm	
72	GAA438BNX6 GAB438BNX6	Frontplate,	78 mm	

55-GAA330BE

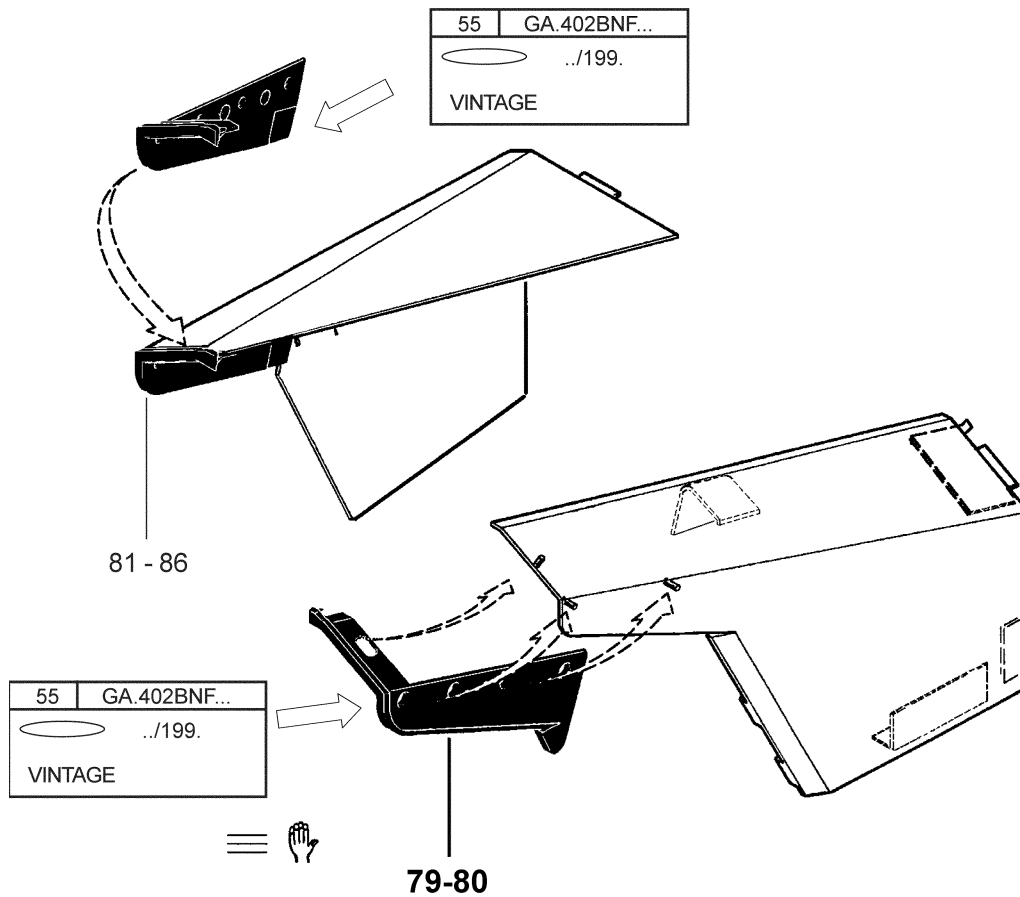
Escalator 506 NCE, Trav-O-Lator® 606 NCT: Handrail Guard











GAA330BE				
REF. No.	PART No.	DESCRIPTION	DIM X	ARRANGEMENT
73	GAA438BNX1 GAB438BNX7	Frontplate,	---	
74	GAA438BNX2 GAB438BNX8	Frontplate,	---	
75	GAA438BNX3 GAB438BNX9	Frontplate,	53 mm	
76	GAA438BNX4 GAB438BNX10	Frontplate,	53 mm	
77	GAA438BNX7 GAB438BNX11	Frontplate,	78 mm	
78	GAA438BNX8 GAB438BNX12	Frontplate,	78 mm	

Escalator 506 NCE, Trav-O-Lator® 606 NCT: Handrail Guard

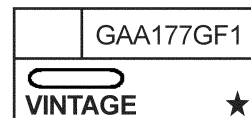
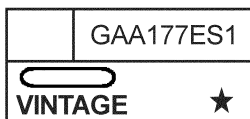
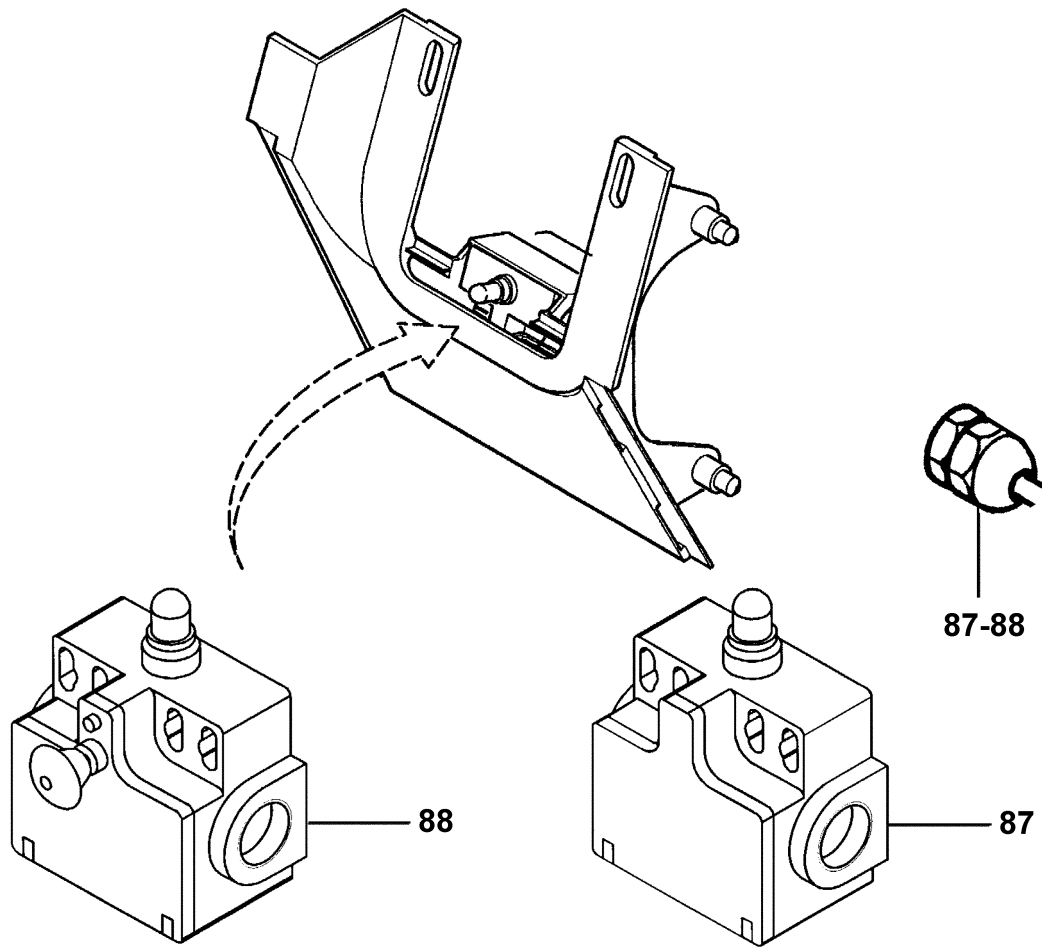
55-GAA330BE



GAA330BE				
REF. No.	PART No.	DESCRIPTION	LOCATED	TYPE
79	GAA402BNF1	Molding	Inside, 	NCE / NCT
80	GAA402BNF2	Molding	Inside, 	NCE / NCT
81	GAA402BNF3	Molding	Outside, 	NCE
82	GAA402BNF4	Molding	Outside, 	NCE
83	GAA402BNF5	Molding	Outside, 	NCE / NCT
84	GAA402BNF6	Molding	Outside, 	NCE / NCT
85	GAA402BNF7	Molding	Outside, 	NCT
86	GAA402BNF8	Molding	Outside, 	NCT

55-GAA330BE

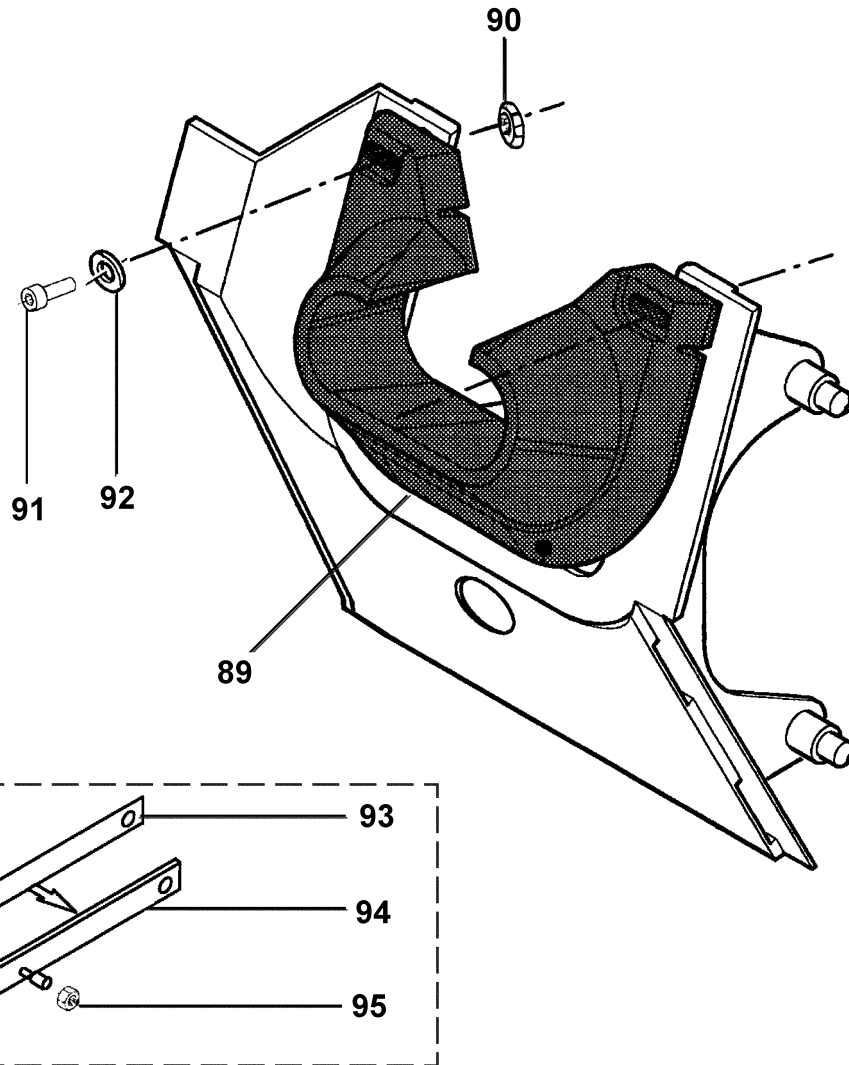
**Escalator 506 NCE, Trav-O-Lator®
606 NCT: Handrail Guard**



GAA330BE		
REF. No.	PART No.	DESCRIPTION
87	GAA177GF1 GBA177GF1	Switch
88	GAA177ES1 GBA177ES1	Switch
87-88	GAA381A2	Cable Gland (M16x1.5)

Escalator 506 NCE, Trav-O-Lator® 606 NCT: Handrail Guard

55-GAA330BE



GAA330BE		
REF. No.	PART No.	DESCRIPTION
89	GAA384JZ1	Handrail Guide Insert Guard
90	GAA72BW1	Nut M6
91	198853	Hex Socket Head Cap Screw M6x30 DIN912
92	GAA255MH1	Shim
93	GAA256AW2	Shim, Self-adhesive
94	GAA299BBF1	Bar
95	52126	Washer Nut M8

ORDER	