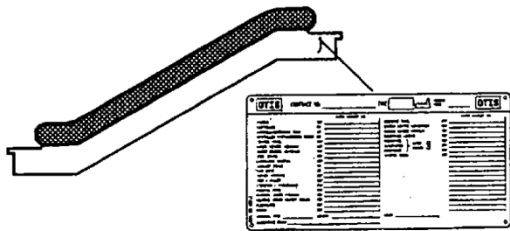


Escalator, Trav-O-Lator Roller Support Molding

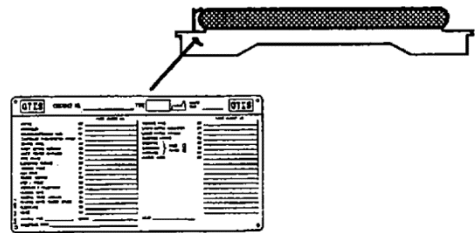
Spare Parts Leaflet

55-GO471CL

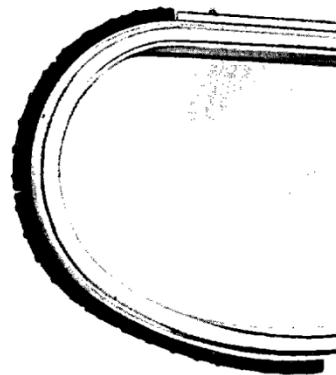
November 1998 / Page 1 of 3



**UB 68 – 73 , HDL 73 ,
506 , 510**



UT / HDL-T 73 , 606

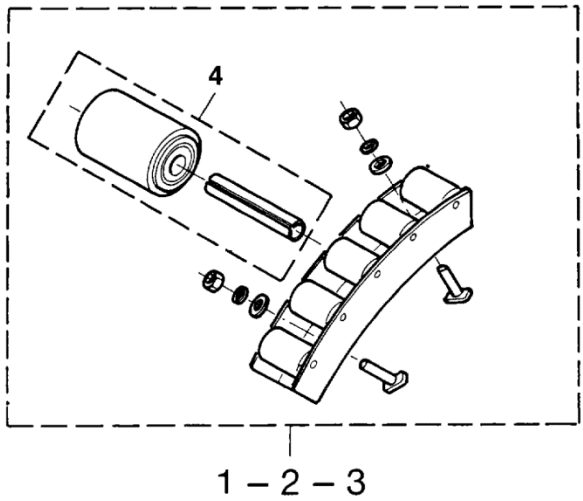
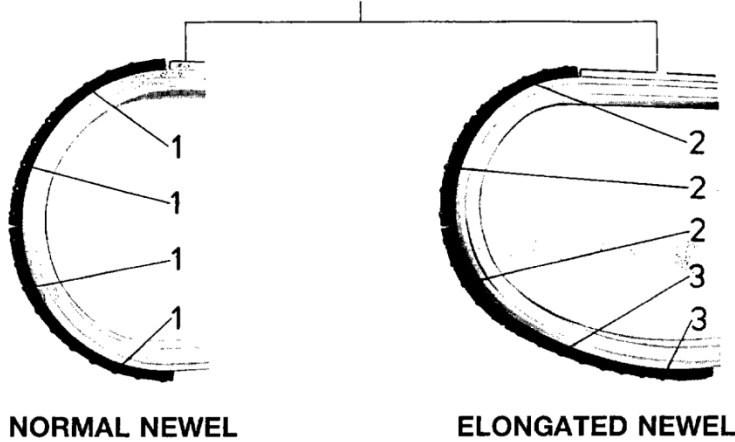


Safety First!




OTIS

UB 68 – 73 , HDL 73 , UT / HDL-T 73

Top of balustrade
 Haut de la balustrade
 Oberkante der Balustrade
 Parte superior de balaustrada
 Parte superiore della balastra



VINTAGE G.01

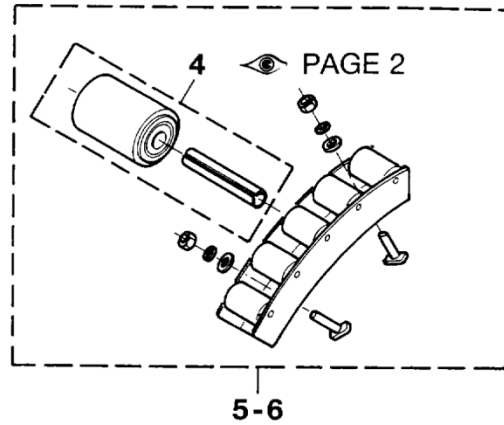
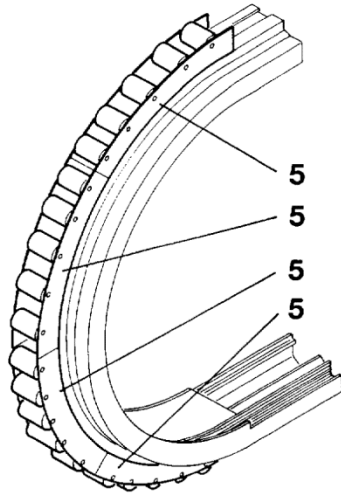
REF. No.	PART No.	DESCRIPTION
	GOB471AJ1	Roller Support Molding, UB 68
	GOB471AM1	Roller Support Molding, UB 68
1	GO2215P1	Roller Support Molding & 
2	GO2215P2	Roller Support Molding & 
3	GO2215P3	Roller Support Molding & 
4	GO2215P4	Roller & Adapter Sleeve

Roller Support Molding

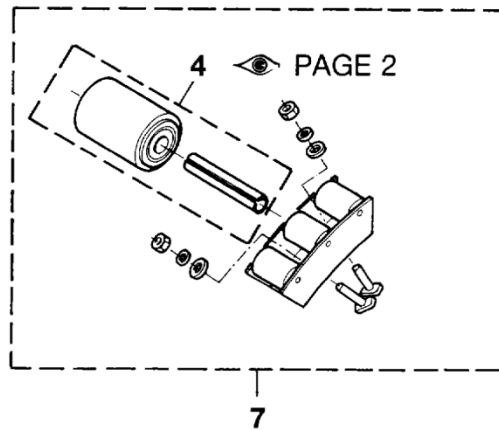
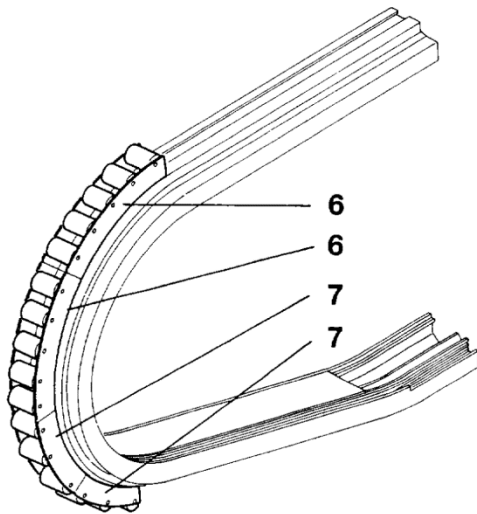
55-GO471CL

606 , 506 , 510



NORMAL NEWEL



ELONGATED NEWEL



VINTAGE G.01

REF. No.	PART No.	DESCRIPTION
5	GO2215P1	Roller Support Molding & 
6	GO2215P2	Roller Support Molding & 
7	GO2215P5	Roller Support Molding & 