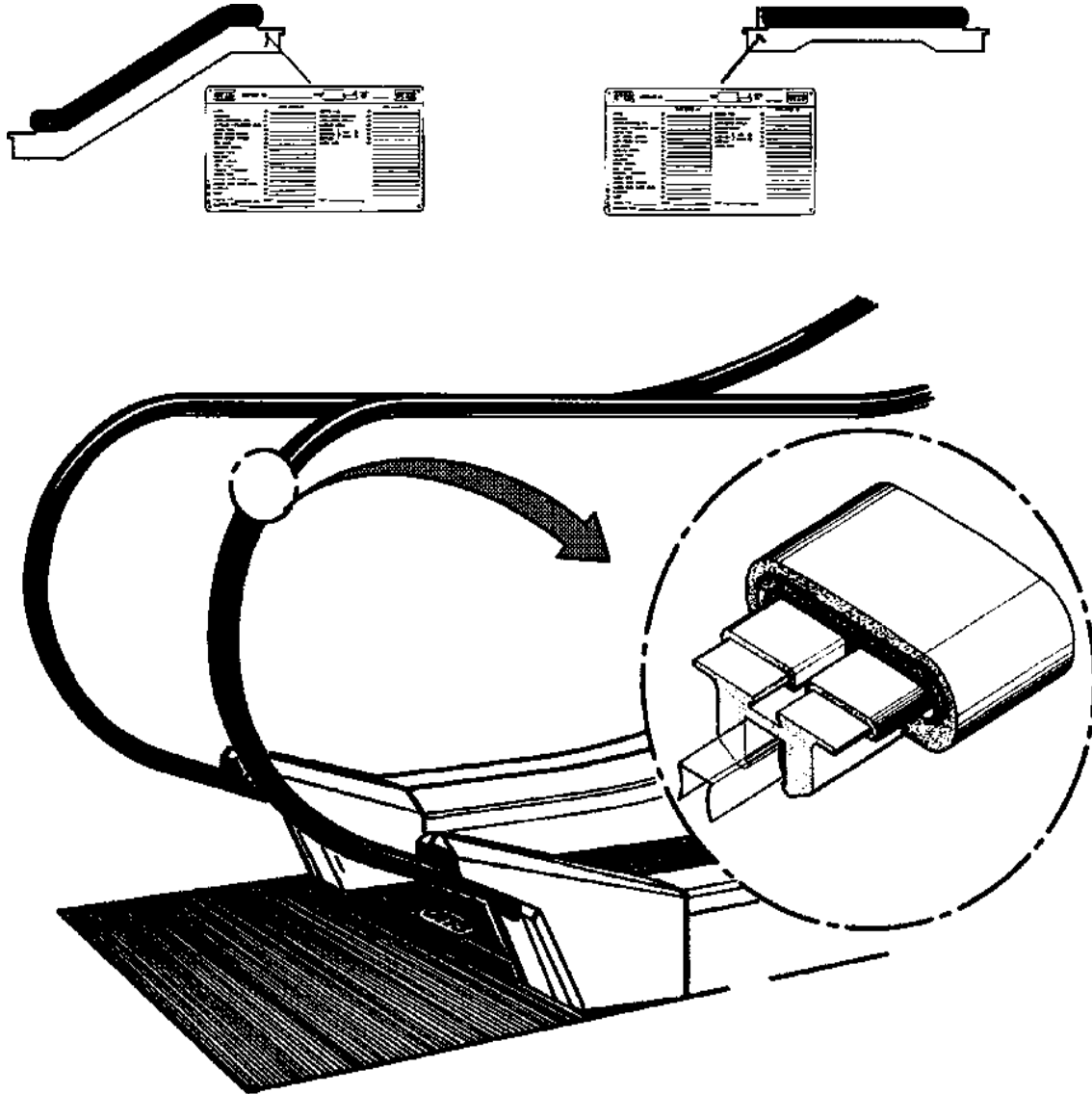


SPL 55-GO50XW - Trav-O-Lator Handrail; Escalator Handrail

Unpublished Work - © Otis Elevator Company. Any unauthorized reproduction, disclosure, or distribution of copies or content by any person of any portion of this work may be a violation of Copyright Law of the United States of America. All rights reserved.

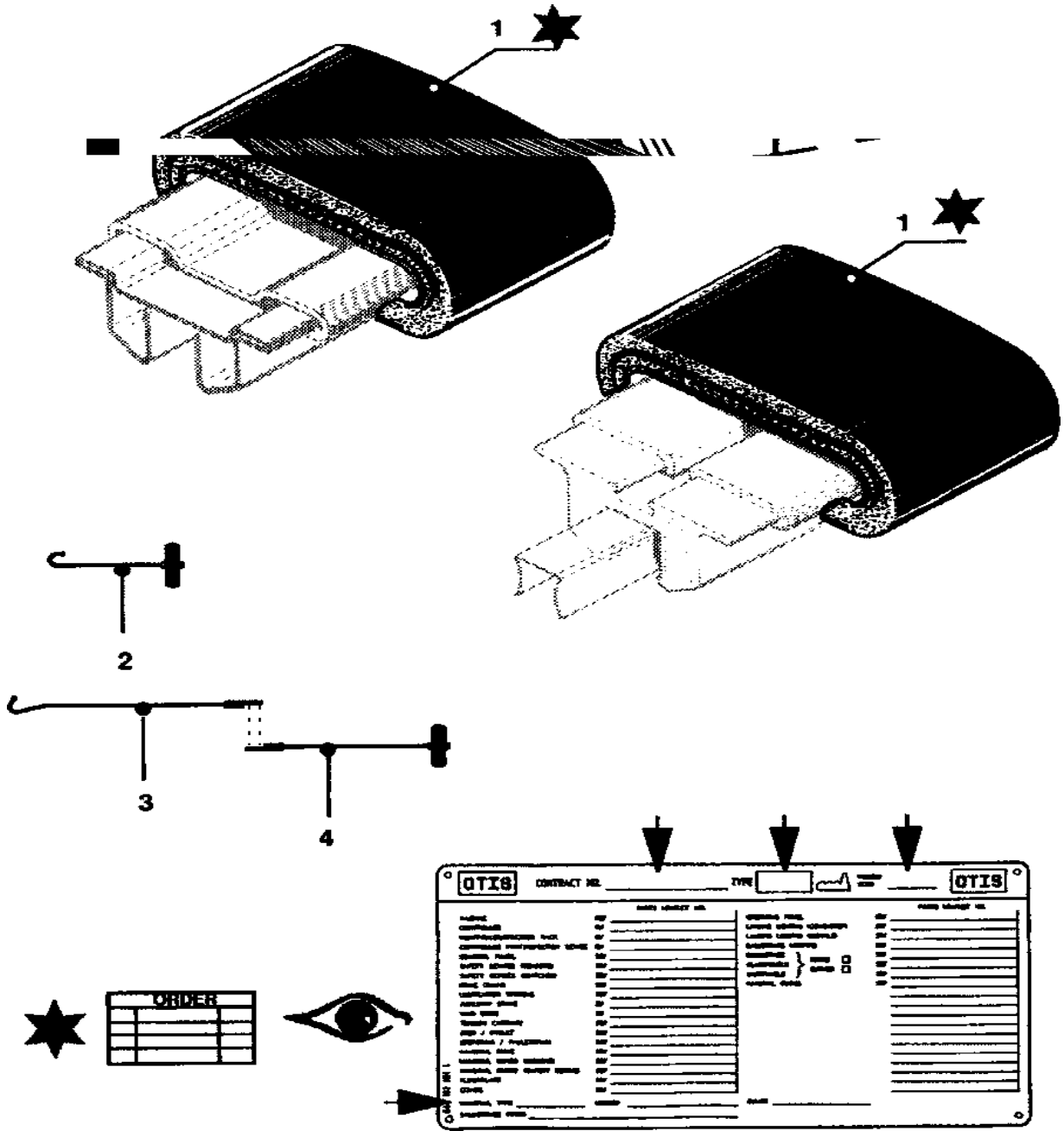
November 1995

Page 1



SPL 55-GO50XW - Trav-O-Lator Handrail; Escalator Handrail

Page 2 - Trav-O-Lator Handrail; Escalator Handrail



SPL 55-GO50XW - Trav-O-Lator Handrail; Escalator Handrail

Page 2 - Trav-O-Lator Handrail; Escalator Handrail

GO50XW		DESCRIPTION	
REF. No.	PART No.		
1	---	The handrail is delivered endless with specific contract length.	
2	---	Hook for Handrail Assembly, Passenger Line	WZ5365
3	---	Hook for Handrail Assembly, Return Line (long hook, part 1)	WZ5366
4	---	Hook for Handrail Assembly, Return Line (long hook, part 2)	WZ5367