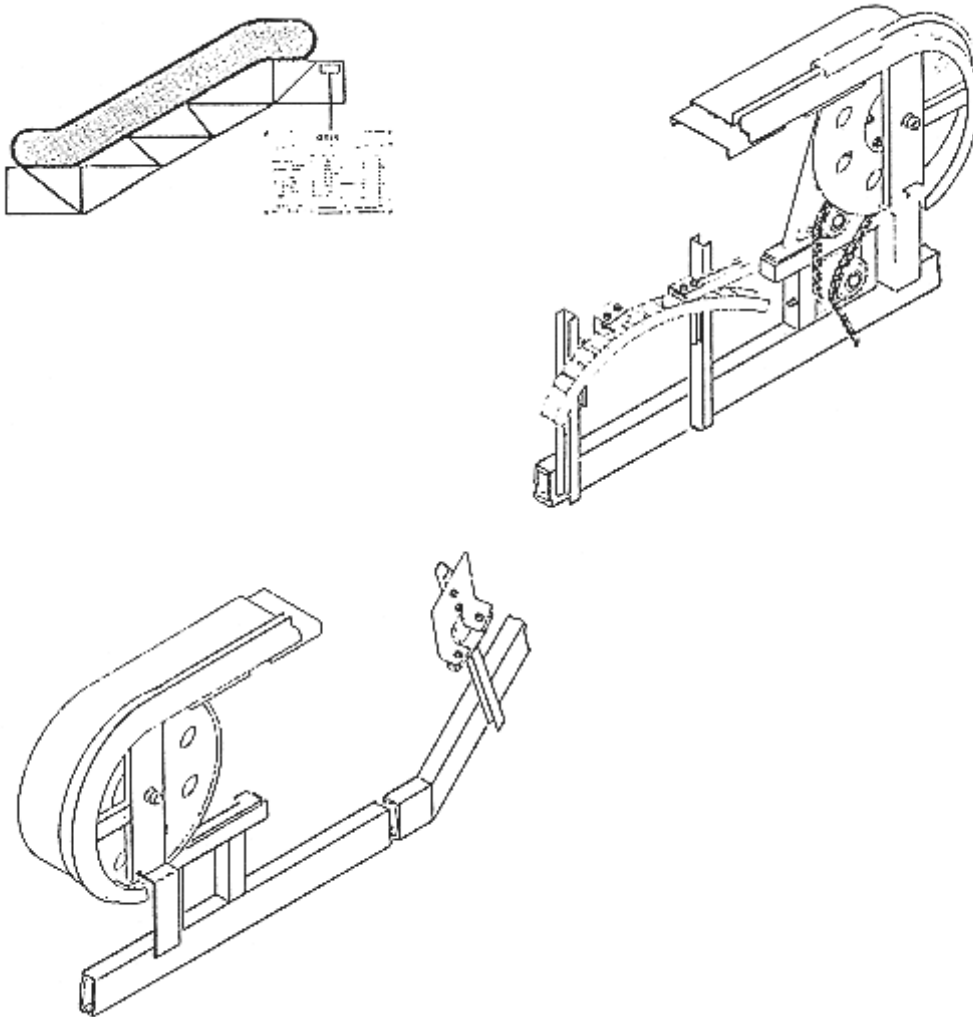


# SPL 55-GO9704AJ - Escalator Handrail Drive 510

Unpublished Work - © Otis Elevator Company. Any unauthorized reproduction, disclosure, or distribution of copies or content by any person of any portion of this work may be a violation of Copyright Law of the United States of America. All rights reserved.

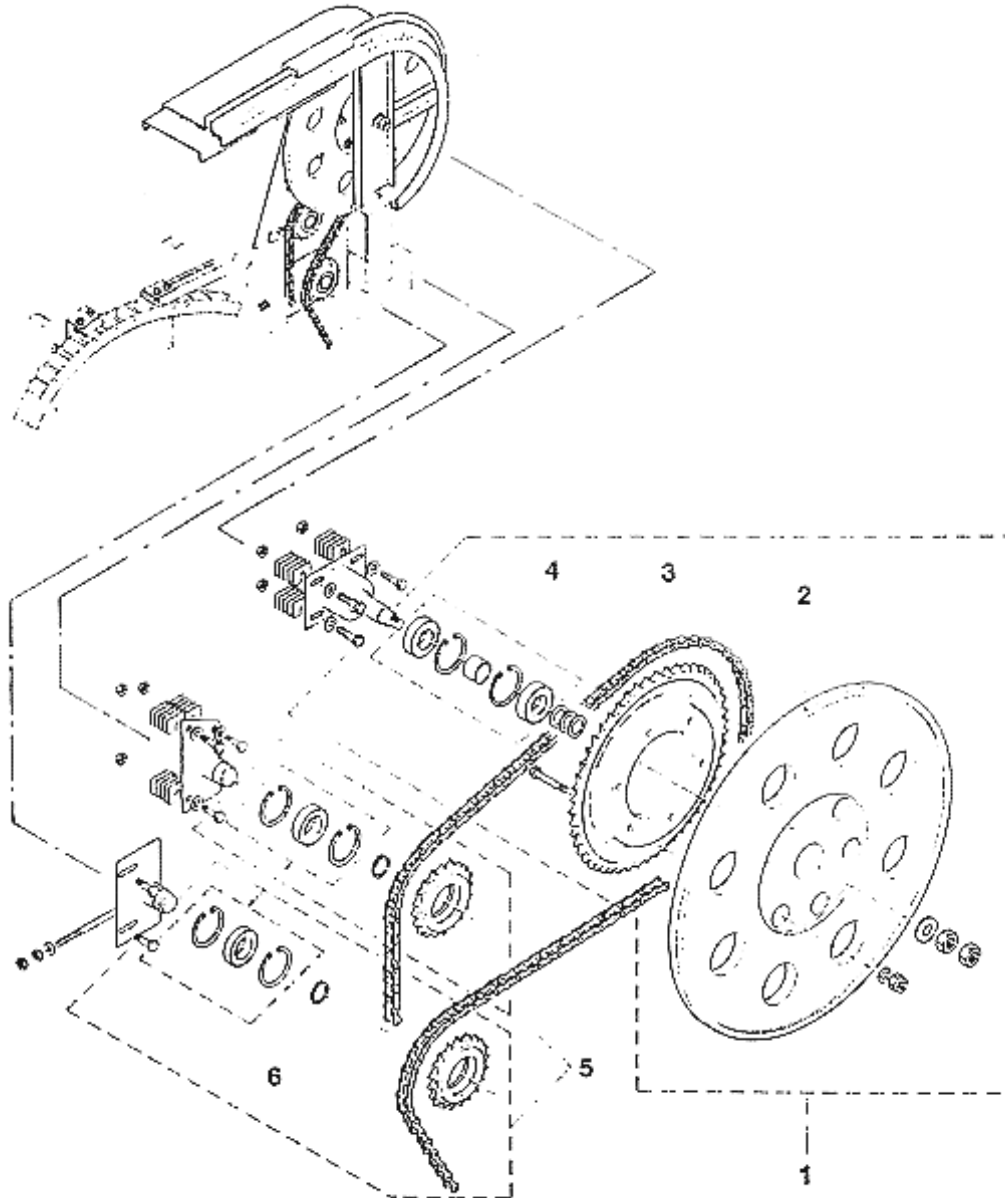
OTIS 510  
July 1989

Page 1

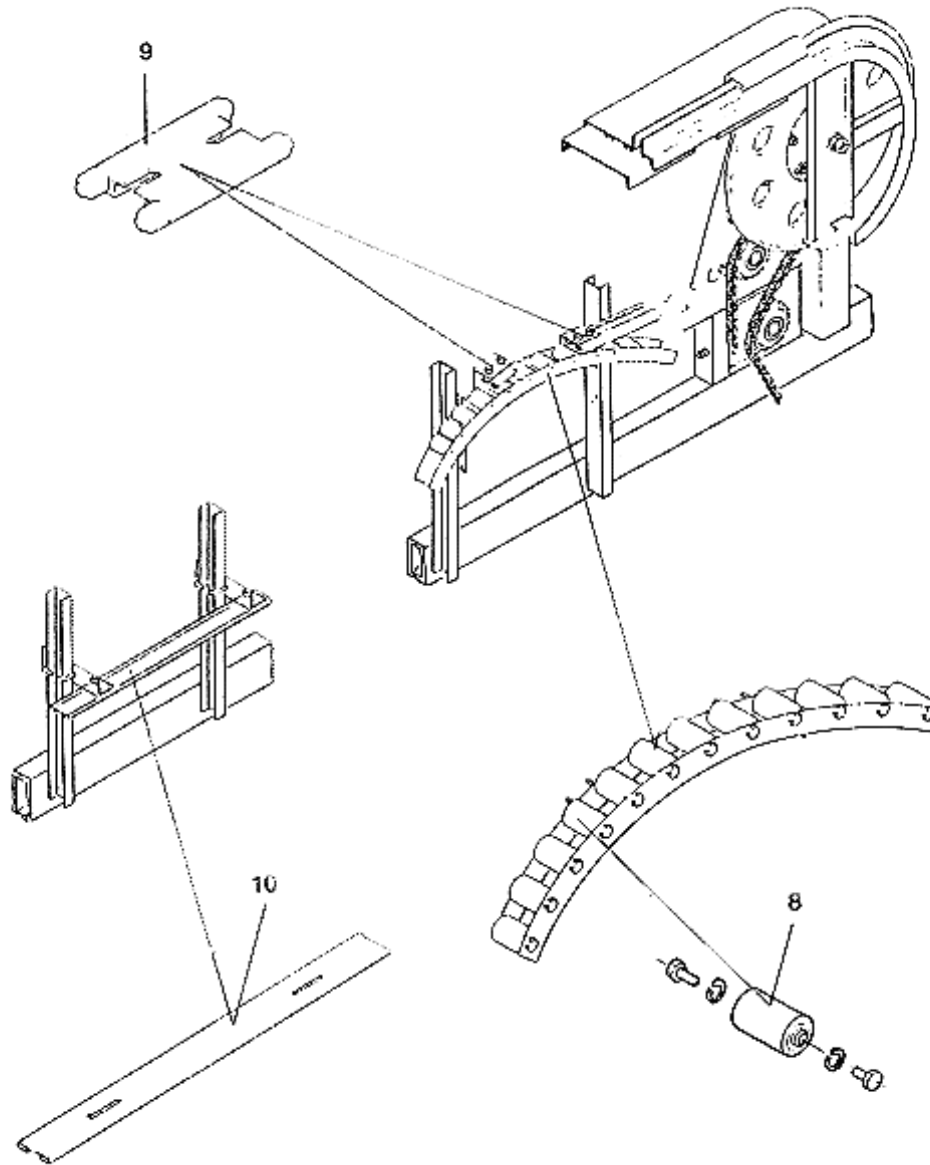


SPL 55-GO9704AJ - Escalator Handrail Drive 510

Page 2



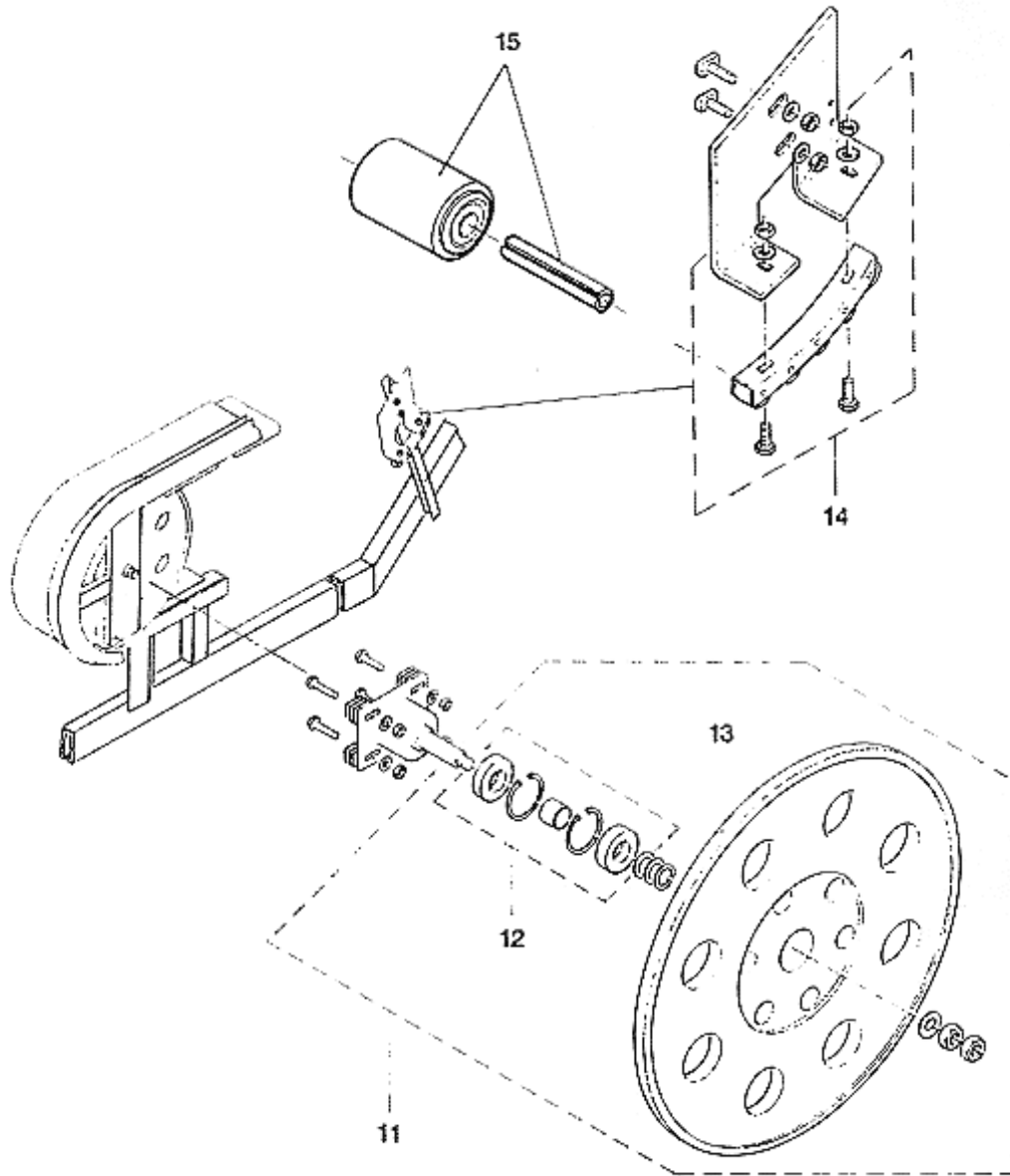
VINTAGE G. 01		
REF. No	PART OR ML	DESCRIPTION
1	GO2215AB19	Sheave compl.
2	GO265AH3	Sheave
3	GO195JN1	Sprocket
4	GO2215AB23	Bearing compl.
5	GO2215AB24	Sprocket compl.
6	GO2215AB25	Bearing compl.



VINTAGE G. 01		
REF. No	PART OR ML	DESCRIPTION
8	GO2215AB29	Roller w Hardware for fastening
9	GO2215AB8	Handrail guide & Hardware for fastening
10	GO402ARM12	Handrail guide inclined section (Length = 2100 mm)

SPL 55-GO9704AJ - Escalator Handrail Drive 510

Page 4



VINTAGE G. 01		
REF. No	PART OR ML	DESCRIPTION
11	GO2215AB27	Sheave compl.
12	GO2215AB26	Bearing compl.
13	GO265AG3	Sheave
14	GO2215P6	Roller support moulding & Hardware for fastening
15	GO2215P4	Roller with sleeve