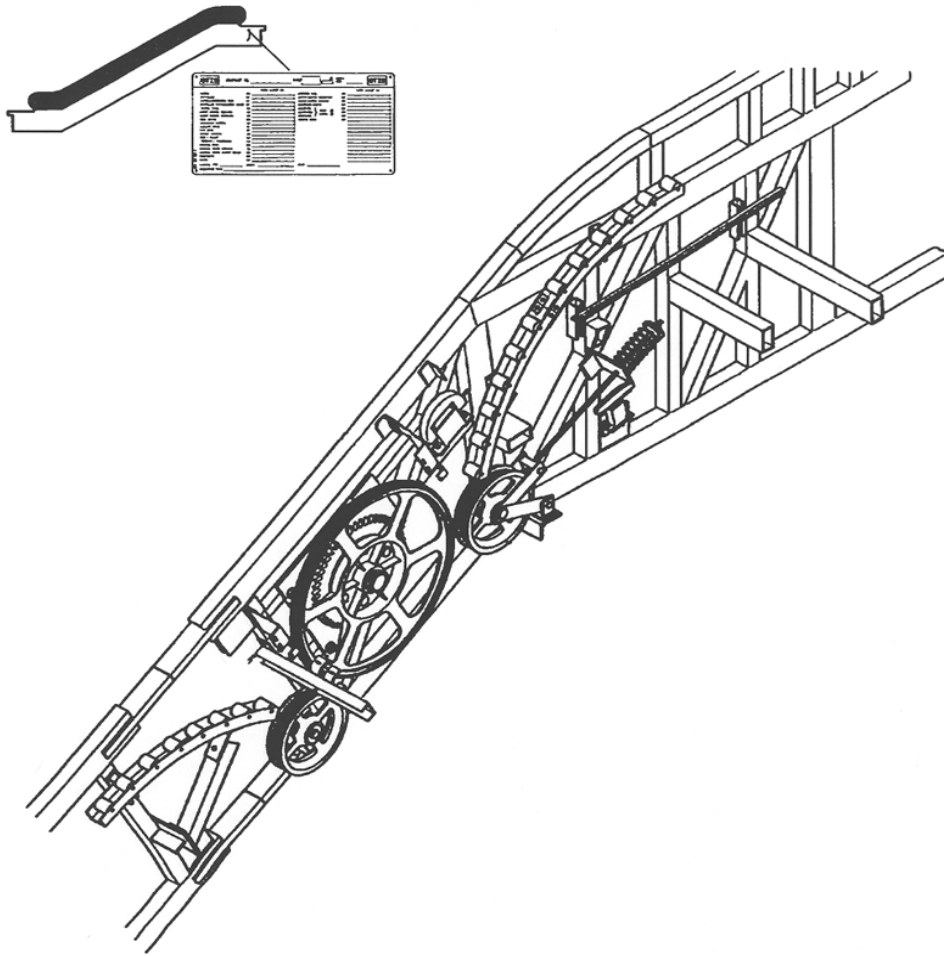


# SPL 55-GO9704BR - Escalator 510 Handrail Drive

Unpublished Work - © Otis Elevator Company. Any unauthorized reproduction, disclosure, or distribution of copies or content by any person of any portion of this work may be a violation of Copyright Law of the United States of America. All rights reserved.

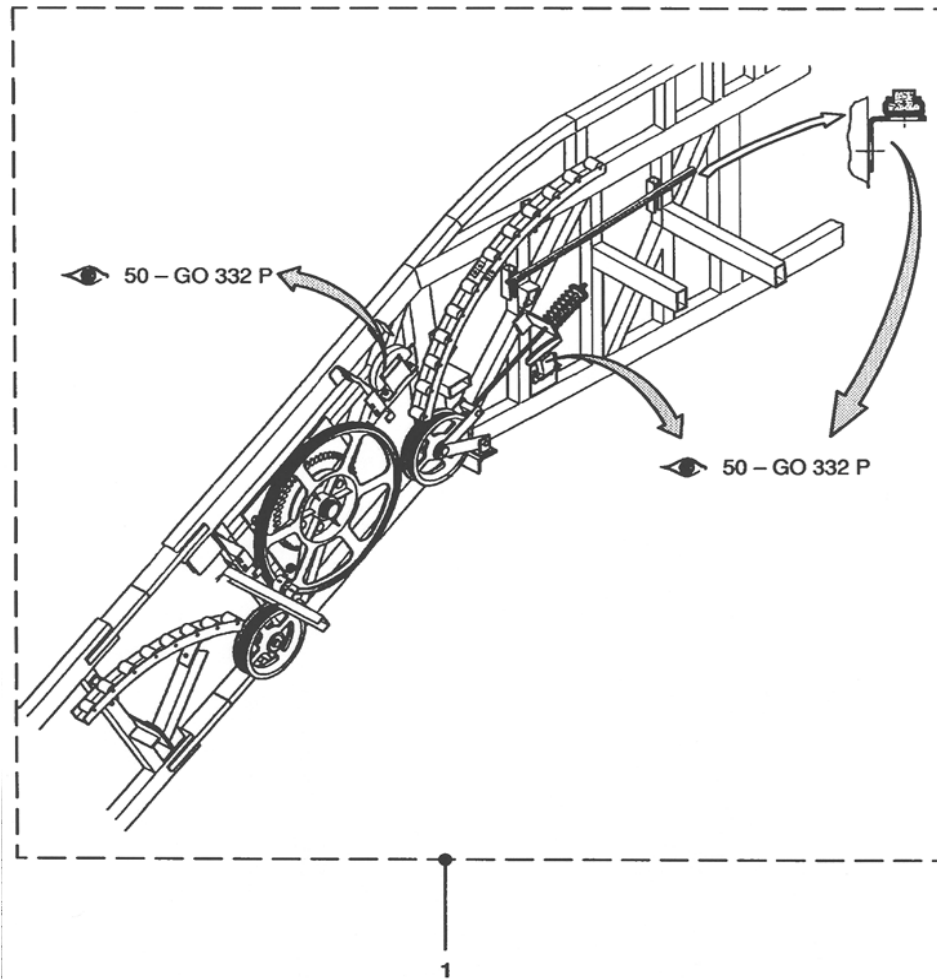
November 1995

Page 1



SPL 55-GO9704BR - Escalator 510 Handrail Drive

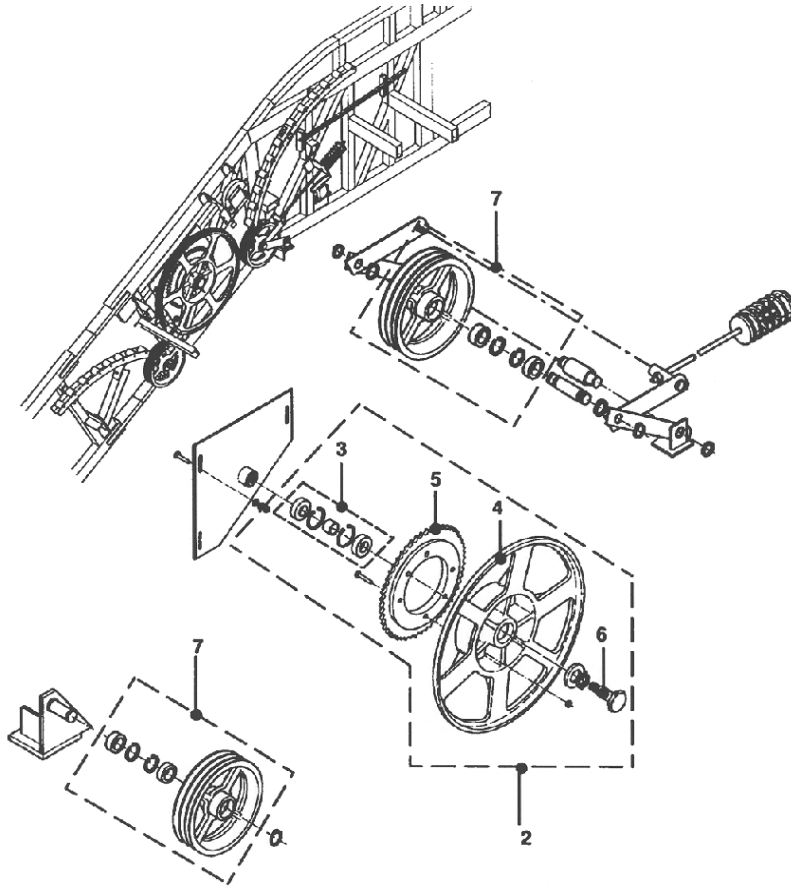
Page 2 - Escalator 510 Handrail Drive



VINTAGE G.01		
REF. NO.	PART OR M.L.	DESCRIPTION
1	GO9704BR2	Handrail Drive Compl.

SPL 55-GO9704BR - Escalator 510 Handrail Drive

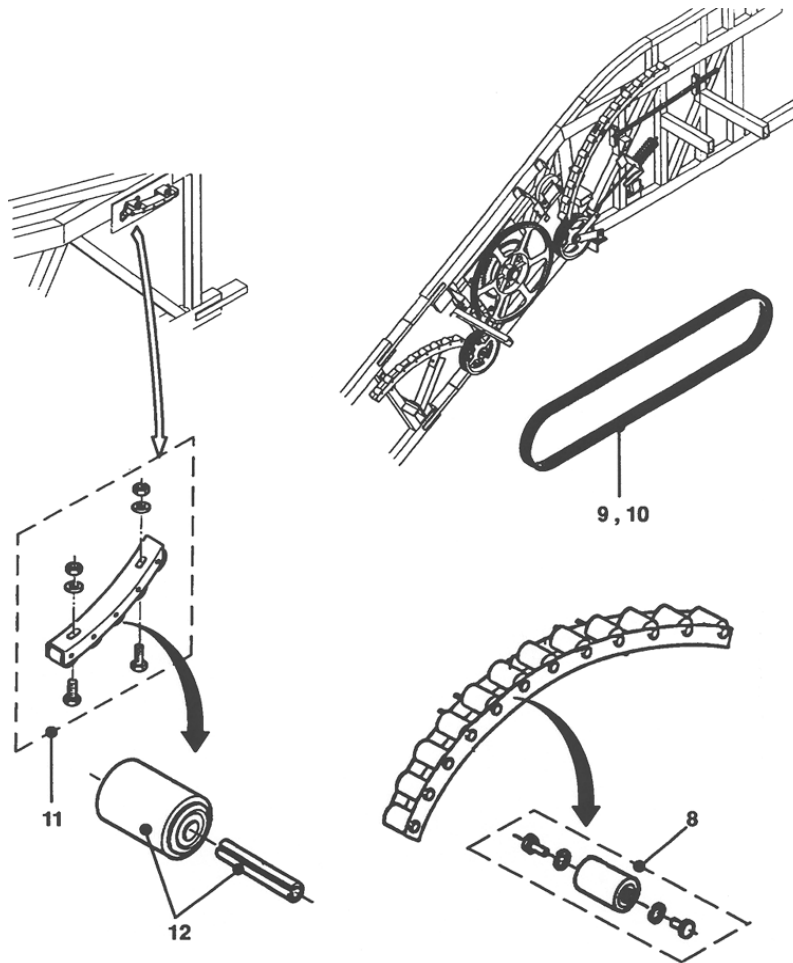
Page 3 - Escalator 510 Handrail Drive



VINTAGE G.01		
REF. NO.	PART OR M.L.	DESCRIPTION
2	GO2215AB28	Handrail Drive Wheel Compl.
3	GO2215AB23	Rollerbearing compl.
4	GOA265A4	Handrail drive wheel
5	GO195JN1	Sprocket
6	GOA502F1 GOA502F2	Axle
7	GO2215AB9	V-Belt pulley compl.

# SPL 55-GO9704BR - Escalator 510 Handrail Drive

## Page 4 - Escalator 510 Handrail Drive



VINTAGE G.01		
REF. NO.	PART OR M.L.	DESCRIPTION
8	GO2215AB29	Roller
9	GO260R3*	Poly-V-belt
10	GO260R4*	Poly-V-belt
11	GO2215P1	Roller support moulding & hardware
12	GO2215P4	Roller w sleeve