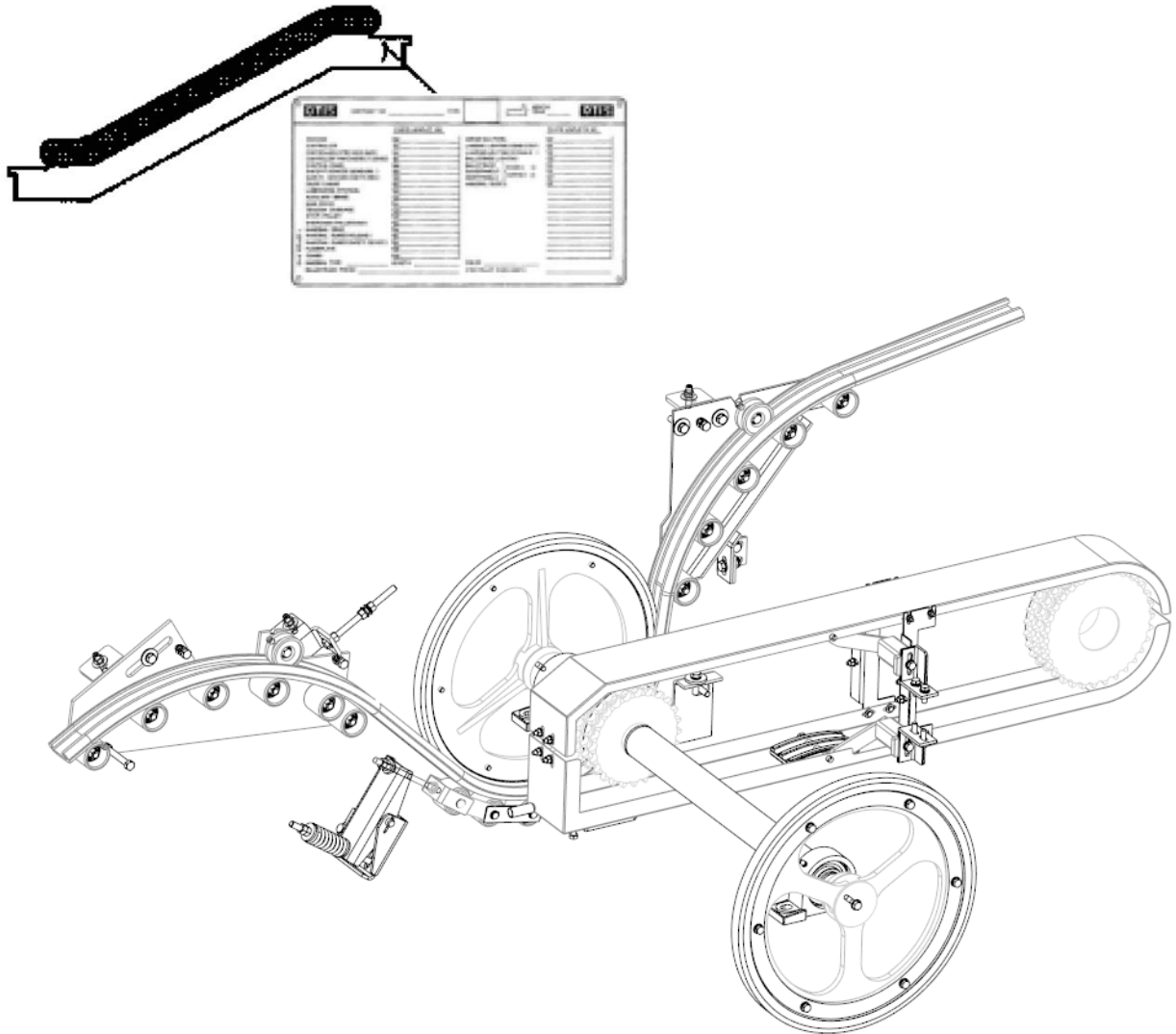


# Escalator Handrail drive

**Spare Parts Leaflet**

**55 - HE0602G**

04/01/2019/ Page 1 of 9



Unpublished Work—© Otis Elevator Co.

**OTIS**

**Safety First!**

**ELEVATOR ENGINEERING**  
Otis Elevator Company  
**OTIS ENGINEERING CHINA**  
**ESCALATOR**

# Escalator

HE0602G\_SPL

# History

## Leaflet Description

Handrail drive

### Leaflet Revisions

| Date Revised  | Subject Matter Expert | Reason for Revision              |
|---------------|-----------------------|----------------------------------|
| Dec 12 , 2019 | Shi Lilong            | Full update(CN No.: CNT1900814 ) |
|               |                       |                                  |

### Related Drawings

| Drawing No. | Title                   | Drawing No. | Title |
|-------------|-------------------------|-------------|-------|
| HE0602G     | Handrail Drive Assembly |             |       |
|             |                         |             |       |
|             |                         |             |       |

### Related Documents

| Document ID | Title                               | Document ID | Title |
|-------------|-------------------------------------|-------------|-------|
| HE0602G     | ODS- Handrail Drive                 |             |       |
| HAA26180A   | EBOM- HANDRAIL DRIVE SHAFT ASSEMBLY |             |       |
|             |                                     |             |       |

### Subject Matter Expert

| Name       | Department |
|------------|------------|
| Shi Lilong | SIT        |

### About Spare Parts Leaflets...

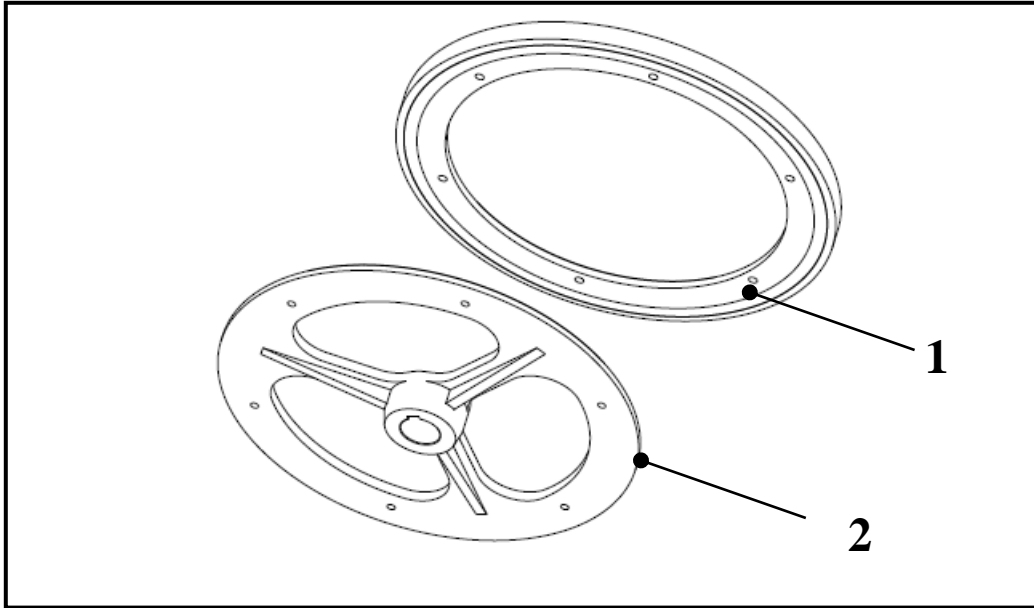
This document lists the lowest replaceable units (LRUs) for the standard version of the product. The LRUs are chosen by a team of Otis associates representing engineering and manufacturing.

While goal of this document is to make parts identification as easy as possible, the document cannot be all-inclusive. Elevator and escalator contracts classified as "special" or "custom" are not addressed here. For such contracts, please refer to specified information, the contract folder, TIPS, Field Education Articles, Construction Letters, etc. for further information.

If you have any suggestions about this document, please contact the subject matter expert listed on this page.

**ESCALATOR**  
**Handrail drive**

**Spare Parts Leaflet**  
**55 – HE0602G**



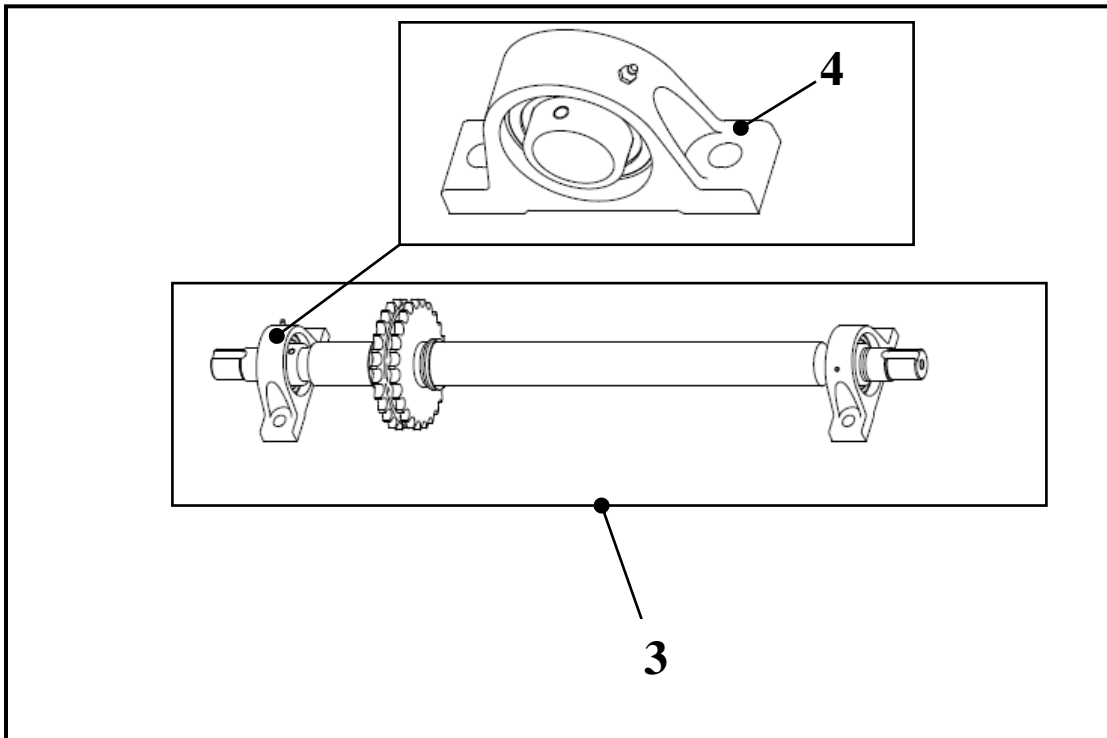
| <b>HE0602G</b>  |                 |                         |                 |
|-----------------|-----------------|-------------------------|-----------------|
| <b>REF. No.</b> | <b>PART No.</b> | <b>DESCRIPTION</b>      | <b>MATERIAL</b> |
| 1               | HAA290AN1       | Friction wheel, indoor  | PU+ HT250       |
|                 | HAA290AN11      | Friction wheel, outdoor |                 |
| 2               | XBA397L1        | Hub, flange, indoor     | HT200           |
|                 | XBA397L2        | Hub, flange, outdoor    |                 |

**Spare Parts Leaflet**

**55 – HE0602G**

**ESCALATOR**

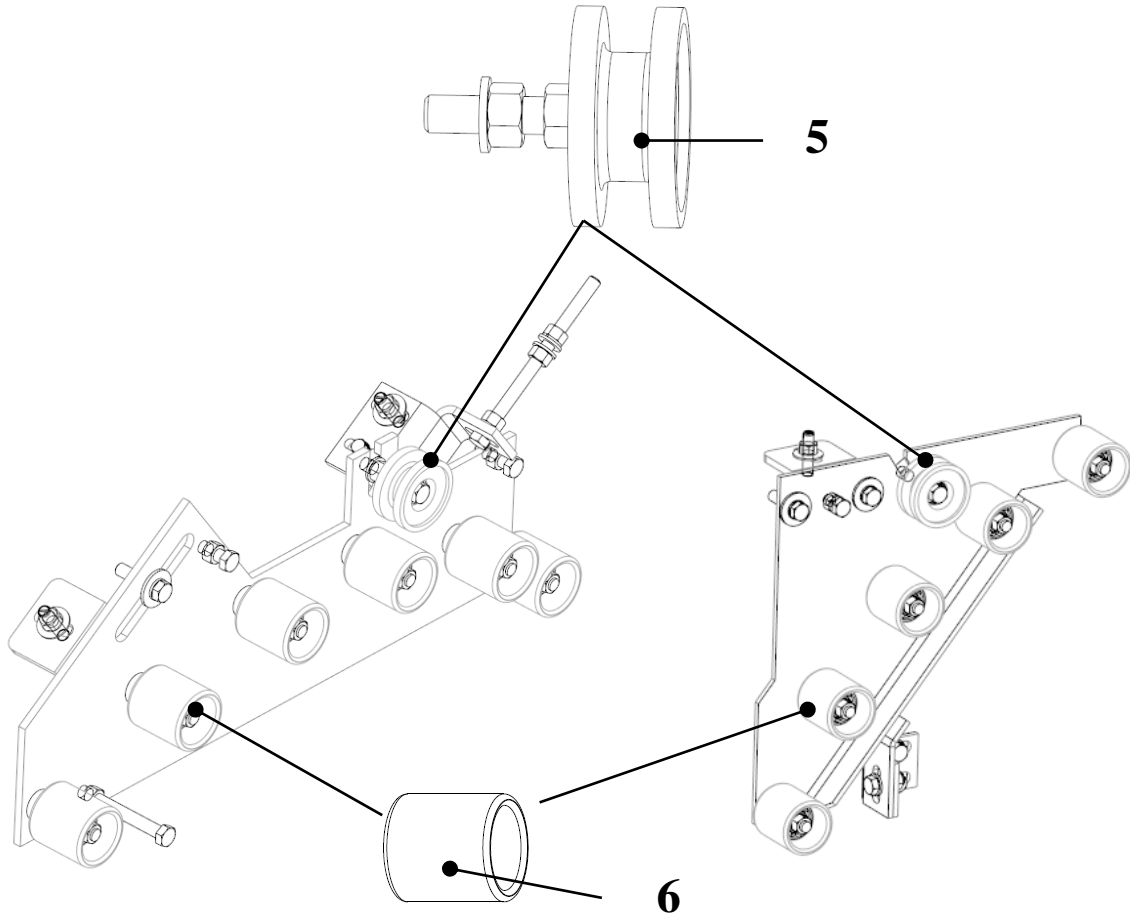
**Handrail drive**



| <b>HE0602G</b>  |                 |                               |                    |                |
|-----------------|-----------------|-------------------------------|--------------------|----------------|
| <b>REF. No.</b> | <b>PART No.</b> | <b>DESCRIPTION</b>            | <b>ARRANGEMENT</b> | <b>ENVIRMT</b> |
| 3               | HAA26180A7      | Handrail drive shaft assembly | type 1000          | INDOOR         |
|                 | HAA26180A8      | Handrail drive shaft assembly | type 800           |                |
|                 | HAA26180A9      | Handrail drive shaft assembly | type 600           |                |
|                 | HAA26180A17     | Handrail drive shaft assembly | type 1000          | OUTDOOR        |
|                 | HAA26180A18     | Handrail drive shaft assembly | type 800           |                |
|                 | HAA26180A19     | Handrail drive shaft assembly | type 600           |                |
| 4               | HAA209D1        | Bearing                       | Type 1000/800/600  | INDOOR         |
|                 | HAA209D2        | Bearing                       | Type 1000/800/600  | OUTDOOR        |

**Spare Parts Leaflet**  
**55 – HE0602G**

**ESCALATOR**  
**Handrail drive**



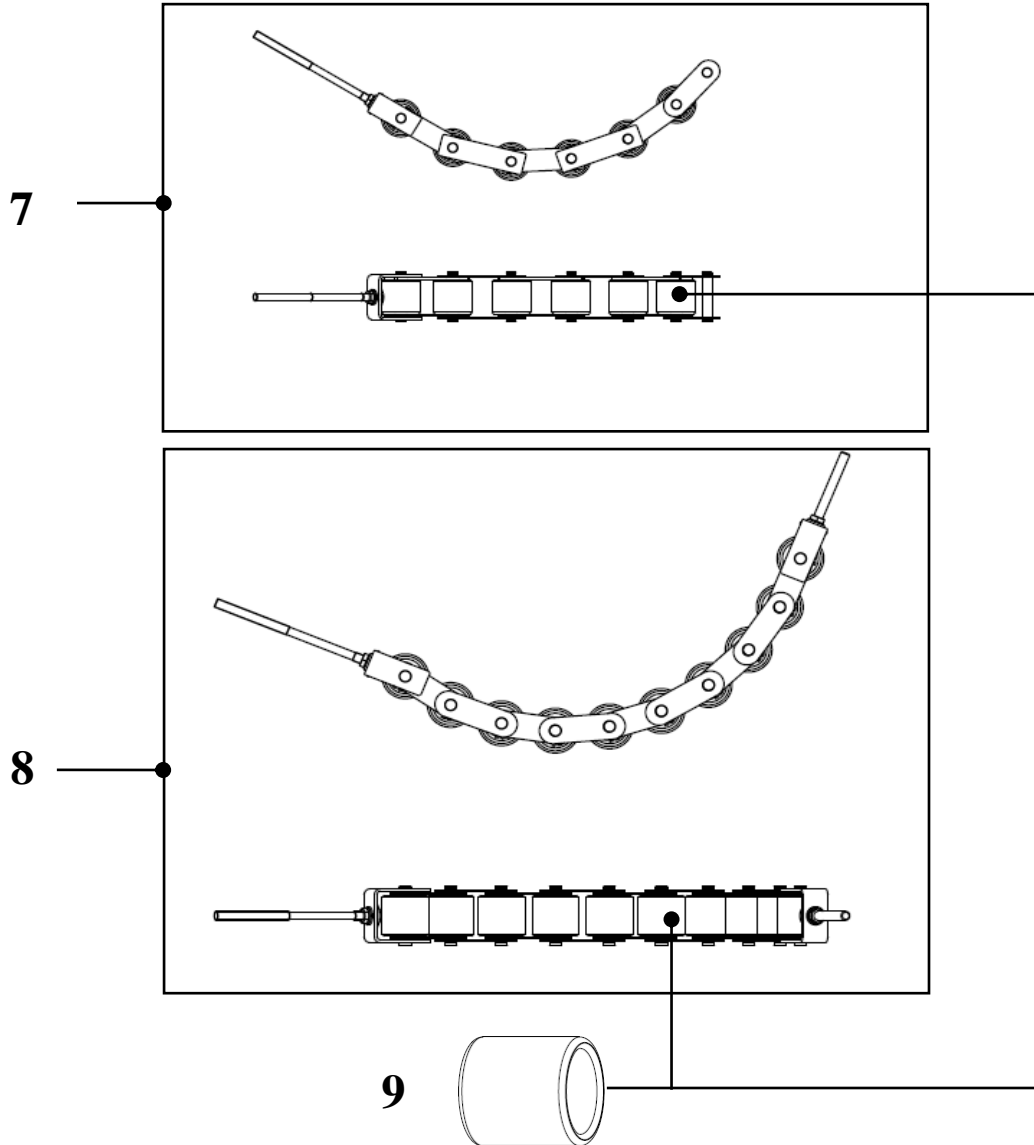
| <b>HE0602G</b>  |                 |                    |
|-----------------|-----------------|--------------------|
| <b>REF. No.</b> | <b>PART No.</b> | <b>DESCRIPTION</b> |
| 5               | XAA456AD1       | Roller             |
|                 | XAA456AD7       | Roller             |
| 6               | XAA456K1        | Roller, indoor     |

# ESCALATOR

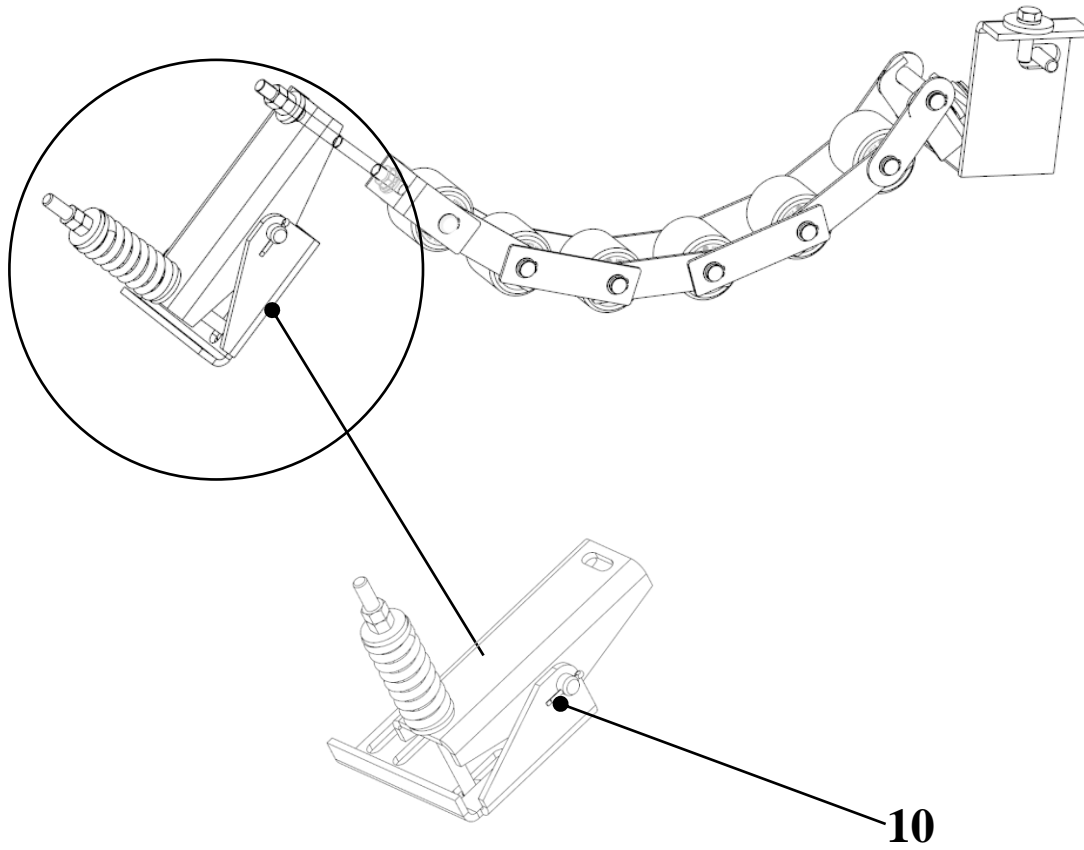
## Handrail drive

# Spare Parts Leaflet

## 55 – HE0602G



| HE0602   |              |                         |
|----------|--------------|-------------------------|
| REF. No. | PART No.     | DESCRIPTION             |
| 7        | HAA26183AS1  | 1500≤RISE≤6000, INDOOR  |
|          | HAA26183AS11 | 1500≤RISE≤6000, OUTDOOR |
| 8        | HAA26183AW1  | 6000<RISE≤8000, INDOOR  |
|          | HAA26183AW11 | 6000<RISE≤8000, OUTDOOR |
| 9        | XAA290CZ1    | ROLLER                  |

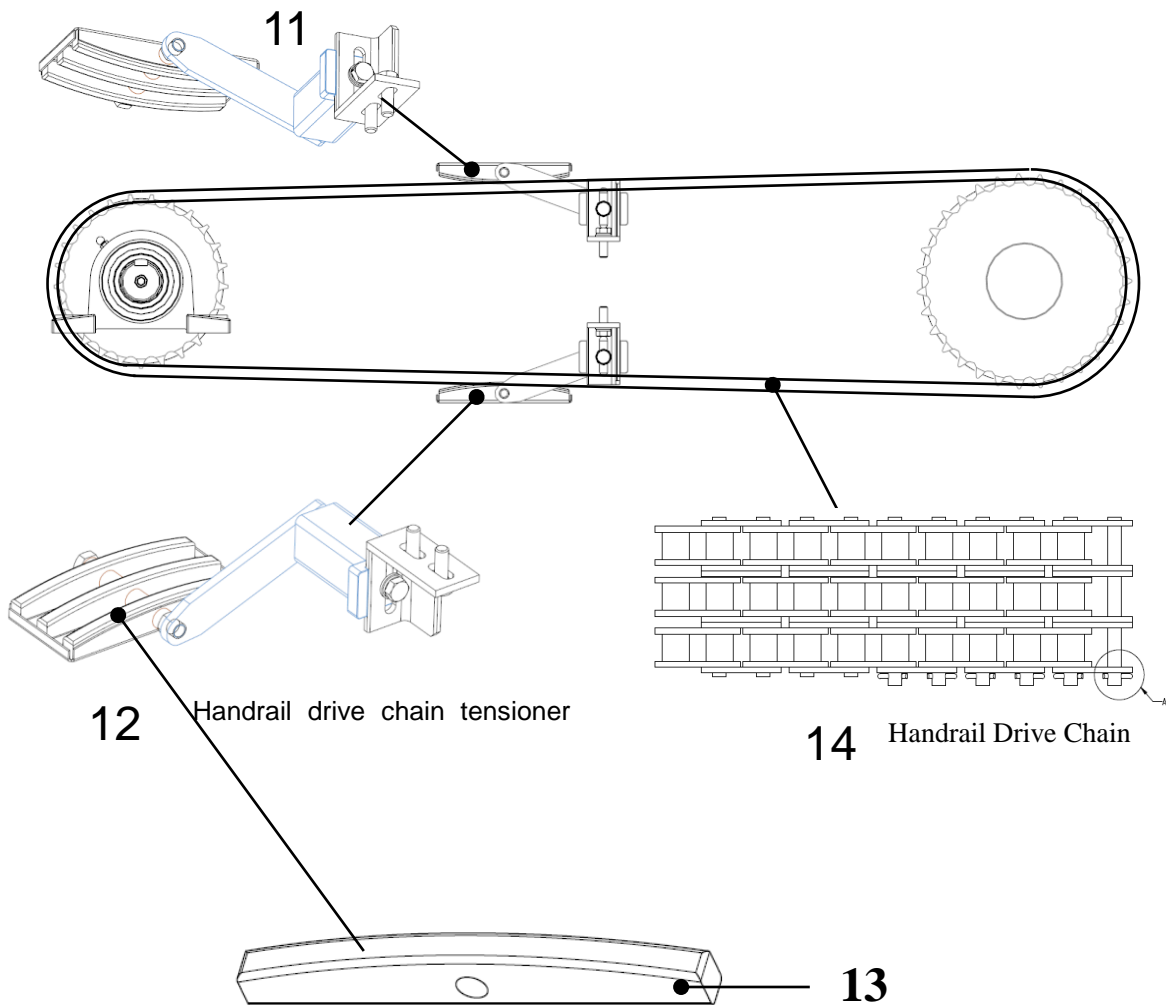


|                 |                 | <b>HE0602</b>                  |
|-----------------|-----------------|--------------------------------|
| <b>REF. No.</b> | <b>PART No.</b> | <b>DESCRIPTION</b>             |
| 10              | HAA316ERS1      | PRESS CHAIN TENSIONER, INDOOR  |
|                 | HAA316ERS11     | PRESS CHAIN TENSIONER, OUTDOOR |

# ESCALATOR

## Handrail drive

**Spare Parts Leaflet**  
**55 – HE0602G**



| HE0602G  |            |  |                       |
|----------|------------|--|-----------------------|
| REF. No. | PART No.   | DESCRIPTION  | REMARK                |
| 11       | HAA385BQ1  | Upper handrail drive chain tensioner, indoor       |                       |
|          | HAA385BQ11 | Upper handrail drive chain tension device, outdoor |                       |
| 12       | HAA385BQ2  | Lower handrail drive chain tensioner, indoor       |                       |
|          | HAA385BQ12 | Lower handrail drive chain tension device, outdoor |                       |
| 13       | HAA380AG1  | GIB  |                       |
| 14       | HAA332X997 | DRIVING CHAIN,PITCH=114                            |                       |
|          | HAA332X997 | DRIVING CHAIN, PITCH=134                           | only for 3 flat steps |