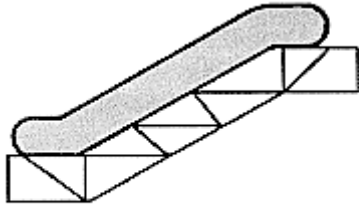


SPL 55-YX9703JL - Handrail Entry Guard & Switch 506 Slimline

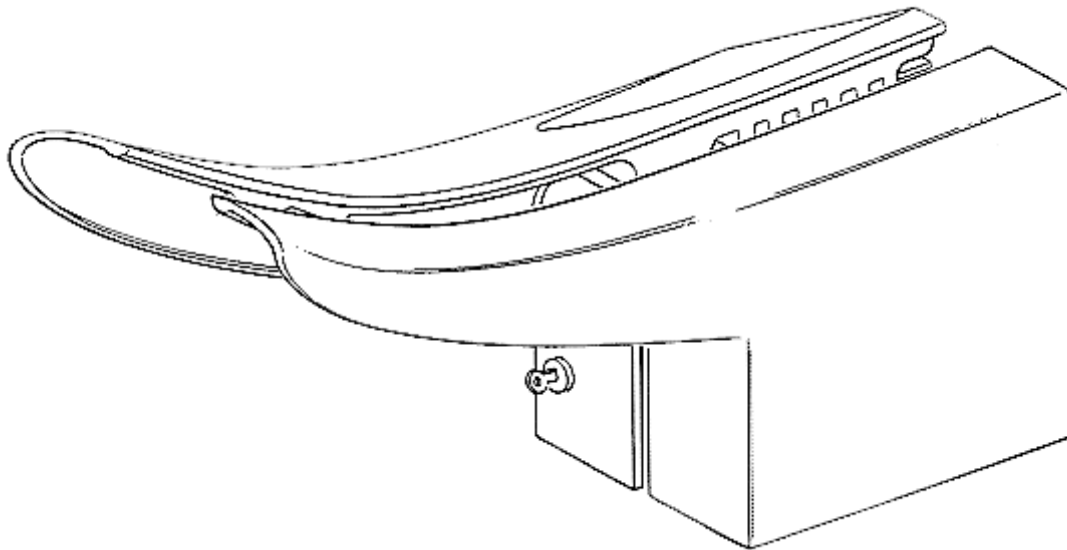
Unpublished Work - © Otis Elevator Company. Any unauthorized reproduction, disclosure, or distribution of copies or content by any person of any portion of this work may be a violation of Copyright Law of the United States of America. All rights reserved.

June 1989

Page 1

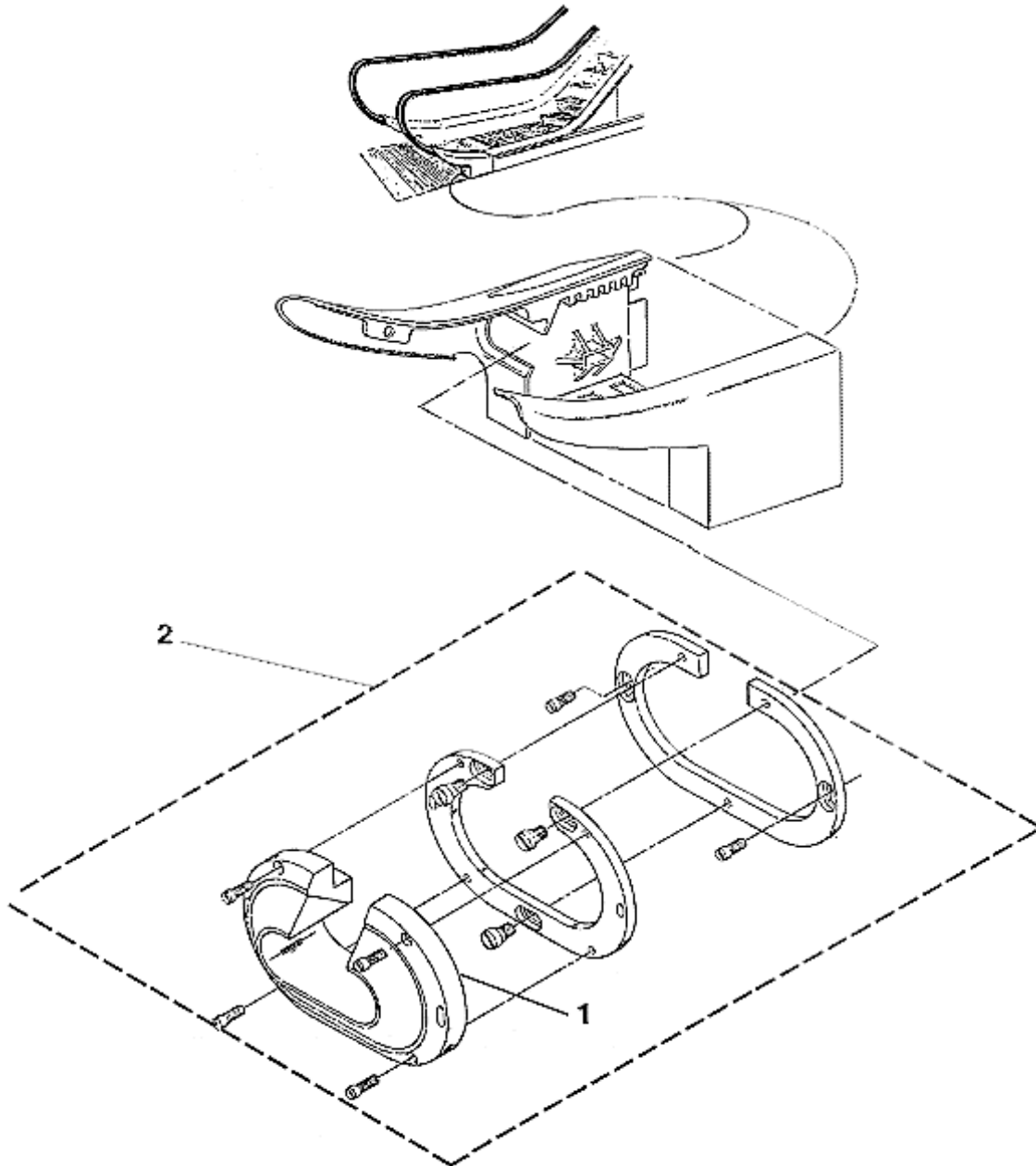


ELEVATOR DATA		ELEVATOR DATA	
CONTRACT NO.	<input type="text"/>	TYPE	<input type="text"/>
YEAR	<input type="text"/>	MAKE	<input type="text"/>
		YEAR	<input type="text"/>
 OTIS ELEVATOR			
CONTROLLER	<input type="checkbox"/>	TRAVEL CAR	<input type="checkbox"/>
CLIMB CHAIR	<input type="checkbox"/>	STOP	<input type="checkbox"/>
INSPECTION DEVICE	<input type="checkbox"/>	STOP CHAIN	<input type="checkbox"/>
STOP BUTTON	<input type="checkbox"/>	HANDRAIL DRIVE	<input type="checkbox"/>
LUBRICATION SWITCH	<input type="checkbox"/>	HANDRAIL ENTRY DEVICE	<input type="checkbox"/>
DRIVE CHARGE	<input type="checkbox"/>	FLOORPLATE UP/LED	<input type="checkbox"/>
MANUAL DRIVE	<input type="checkbox"/>	FLOORPLATE LOW/LED	<input type="checkbox"/>
SAFETY SWITCH	<input type="checkbox"/>	RAILWAY	<input type="checkbox"/>
DEMANCATION LIGHTS	<input type="checkbox"/>	RAILWAY	<input type="checkbox"/>
		FLOORPLATE LIGHTS	<input type="checkbox"/>
HANDRAIL TYPE	<input type="text"/>	LENGTH	<input type="text"/>
RAILWAY FINISH	<input type="text"/>	WALL COLOR	<input type="text"/>



SPL 55-YX9703JL - Handrail Entry Guard & Switch 506 Slimline

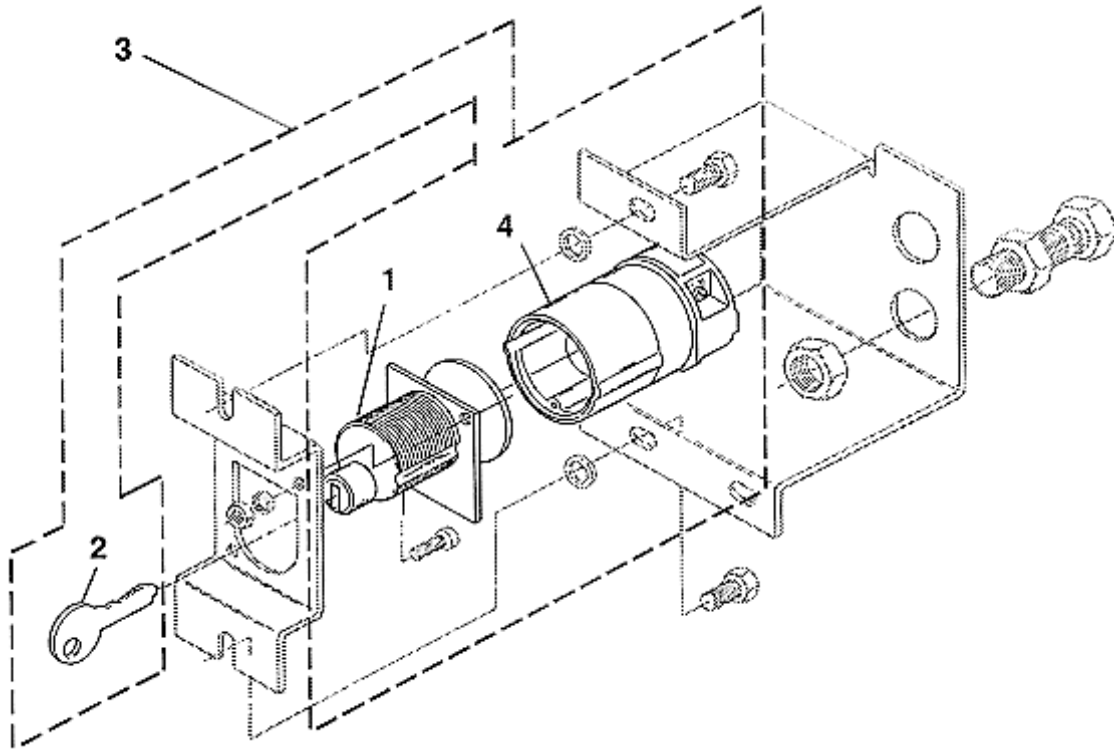
Page 2 - HANDRAIL ENTRY GUARD



REF. NO.	VINTAGE R 01 PART OR ML	DESCRIPTION
1	AAA384XJ1	Assembly, Rubber Guard
2	2700CBM3	Kit, Guard Assembly + Hardware for fastening

SPL 55-YX9703JL - Handrail Entry Guard & Switch 506 Slimline

Page 3 - STOP SWITCH ASSEMBLY



REF. NO.	VINTAGE R 01 PART OR ML	DESCRIPTION
1	GO431BH1	Lock, Key Operated
2	GO194C1	Key
3	2700CBM4	Kit, Keyswitch Assembly
4	GO177BN1	Switch