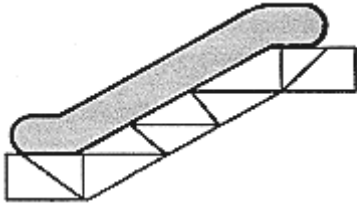


SPL 55-YY9703ER - Handrail Drive Otis 506 Slimline

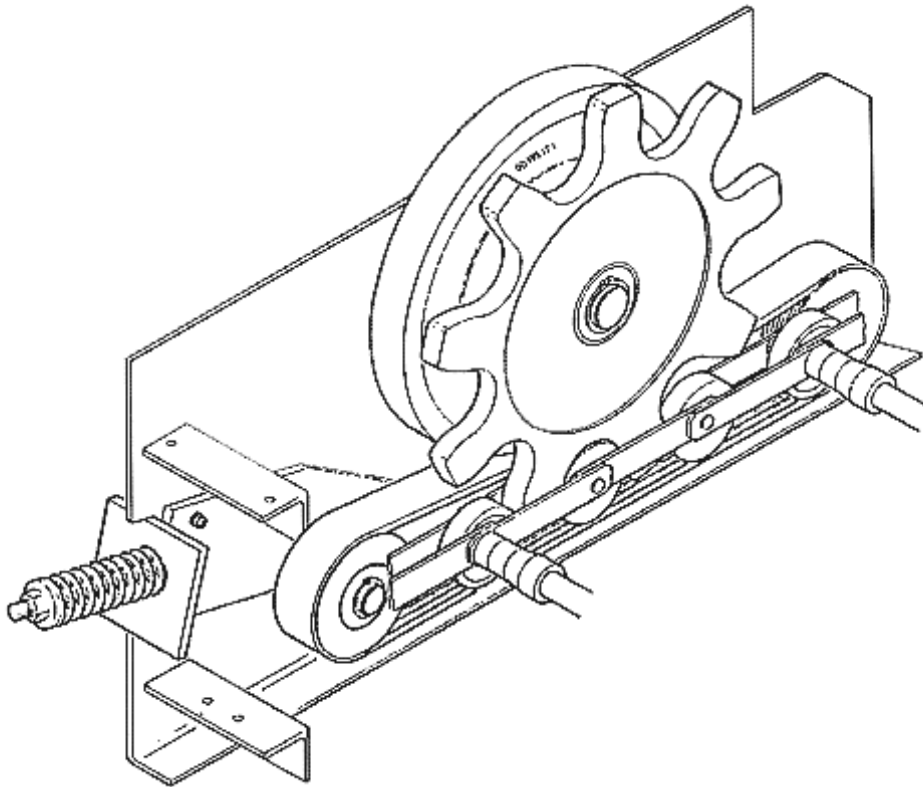
Unpublished Work - © Otis Elevator Company. Any unauthorized reproduction, disclosure, or distribution of copies or content by any person of any portion of this work may be a violation of Copyright Law of the United States of America. All rights reserved.

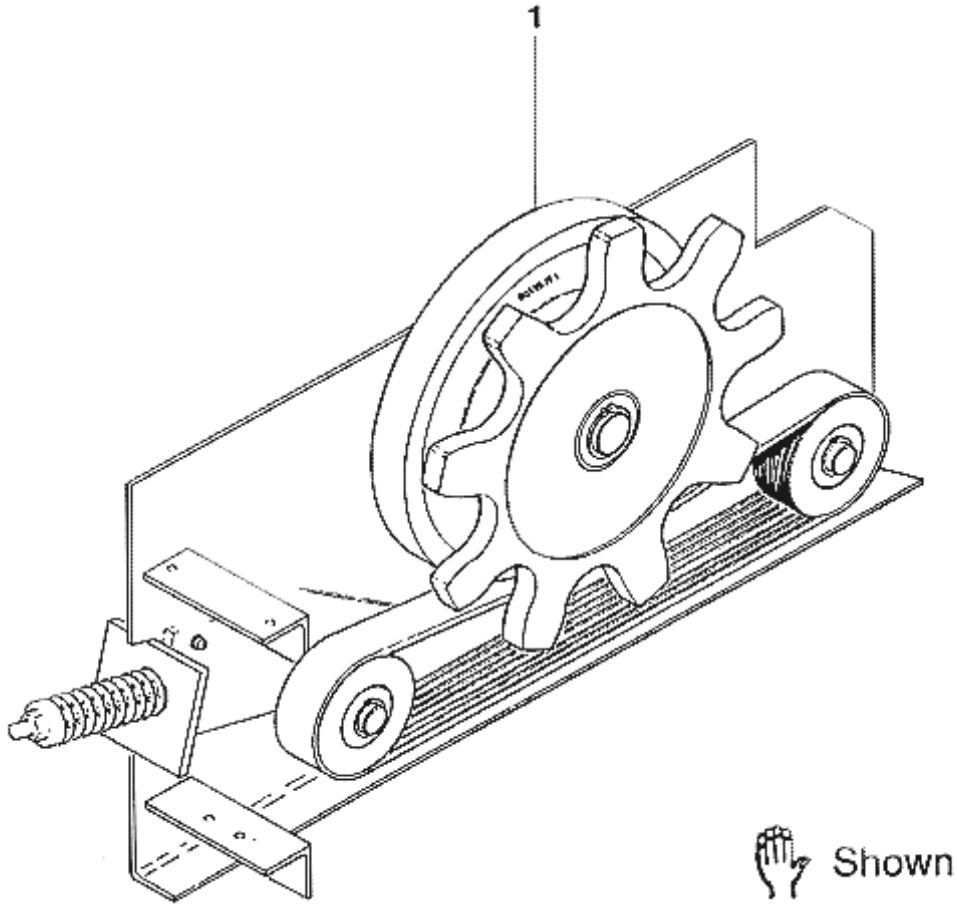
June 1989

Page 1



CONTRACT NO. _____		TYPE _____	YEAR _____	 OTIS ELEVATOR COMPANY	
CONTROLLER	1Q1	TENSION DAMPERS	5W1		
CAROL CHECK	1Q2	STOP	5W2		
INSPECTION DEVICE	1Q3	STOP CHAIN	5W3		
STOP BUTTON	2Q4	HANDRAIL DRIVE	5W4		
LUBRICATION SWITCH	5Q5	HANDRAIL ENTRY DEVICE	5W5		
ORIVE DRIVE	51C	FLOORPLATE LIFT LOG	5W6		
WAND DRIVE	51U	FLOORPLATE LIFT LOG	5W7		
WANDER B-SHAFT BRAKE	51V	BALLRACE	5T1		
DEVIATION LIGHTS	56V	BURT PANEL	5T2		
		FLUORESCENT LAMPS	5T3		
HANDRAIL TYPE _____		LENGTH _____	WALL COLOR _____		
BALLRACE FINISH _____					

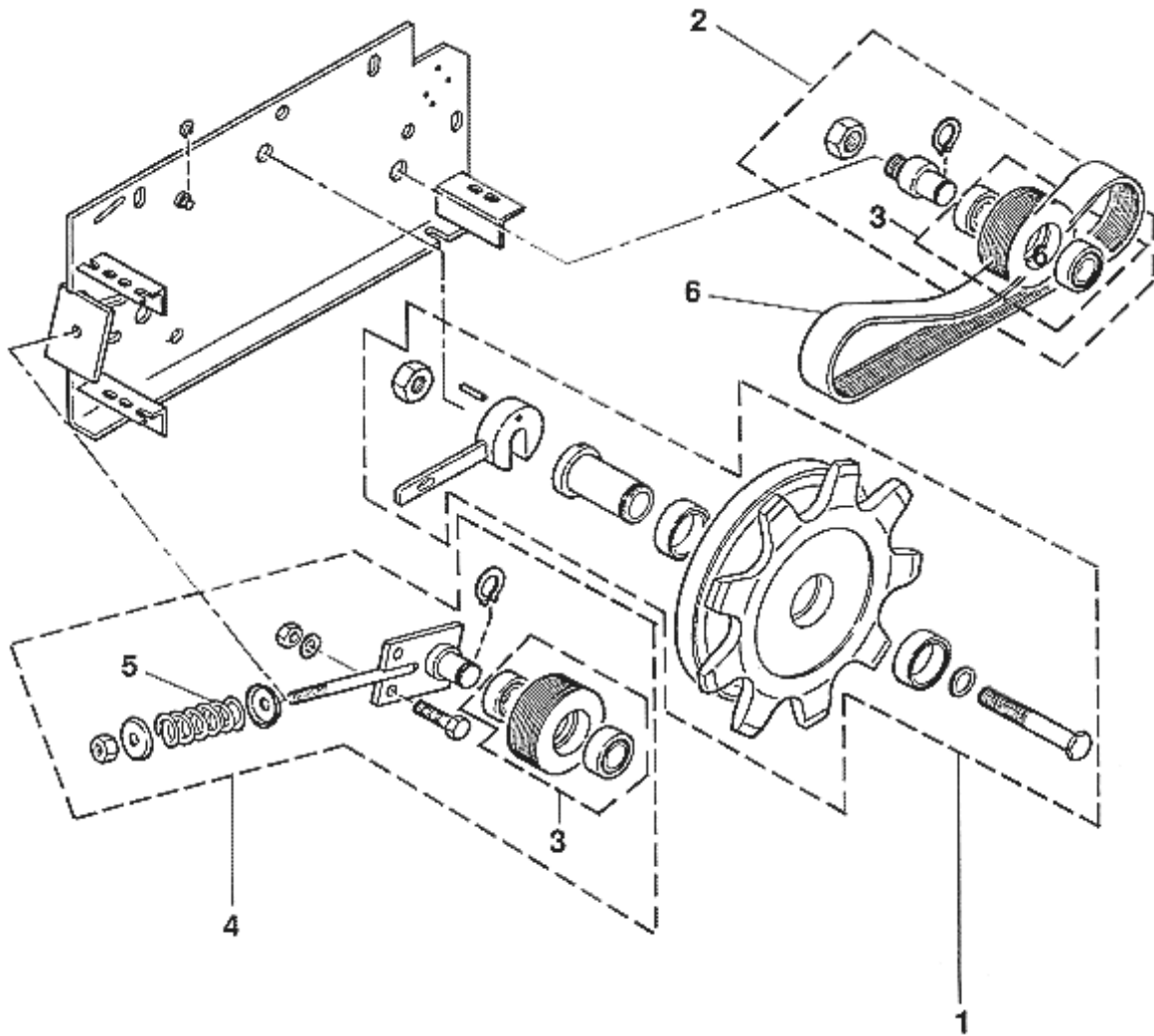




VINTAGE R 01		
REF No	PART OR ML	DESCRIPTION
1	YYA9703DP2	Assembly, Handrail Drive, Right hand
	YYA9703DP1	Assembly. Handrail Drive, Left hand

SPL 55-YY9703ER - Handrail Drive Otis 506 Slimline

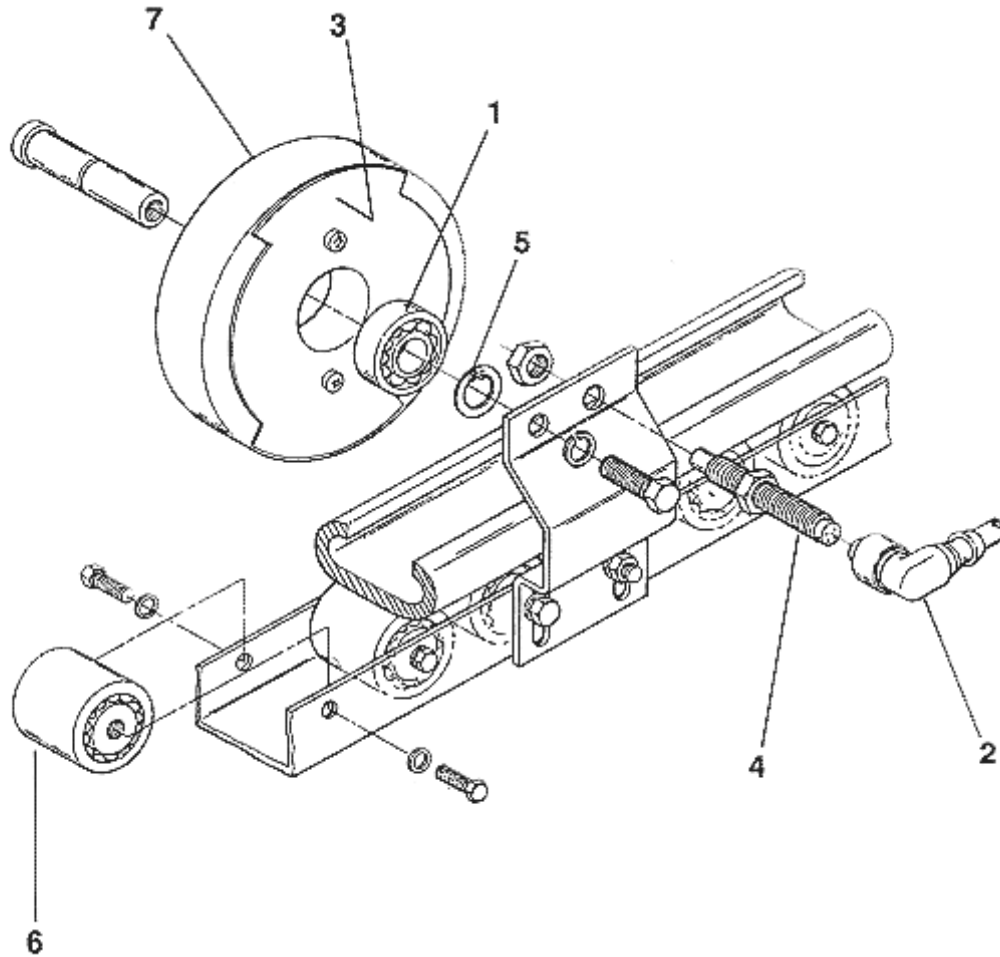
Page 3



REF. No.	VINTAGE R 01 PART OR ML	DESCRIPTION
1	2700CCA1	Kit: Drive Wheel Assembly
2	GO2215AB34	Kit: Sheave Assembly
3	GO2215AB35	Kit: Sheave w/Bearing
4	GO2215AB36	Kit: Tension Device
5	DIN209810X50X110	Spring
	GOB260AF2	Belt (For Black Handrail)
6	GOA260AF1	Belt (For Colored Handrail)

SPL 55-YY9703ER - Handrail Drive Otis 506 Slimline

Page 4



VINTAGE R 01		
REF. No.	PART OR ML	DESCRIPTION
1	207Z33	Bearing (BRG-6201)
2	GO174JJ1	Cable, Proximity Switch, 10m L.
3	YYGO386CGC1	Plate
4	GO177DS1	Proximity Switch, (SHRL, (R))
5	172PM6	Retaining Ring
6	GO456BG1	Roller
7	YYGO456BV1	Roller w/o Bearing