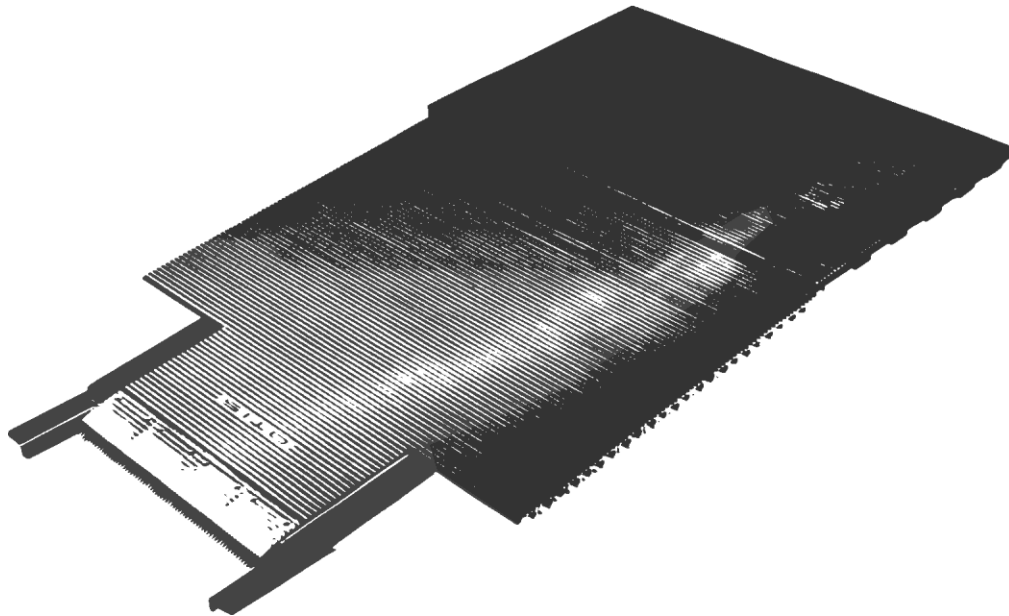
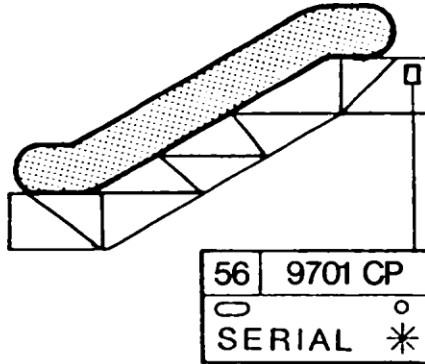


Escalator Floor Plate, Upper Landing

Spare Parts Leaflet

56-9701CP

January 2, 2007 / Page 1 of 5



Unpublished Work—© Otis Elevator Co.; 2006

OTIS

Safety First!

SERVICE ENGINEERING
Otis Elevator Company
Bloomfield, Connecticut USA

Leaflet Description

This SPL describes the LRUs (lowest replaceable units) for the escalator floor plate, upper landing.

Leaflet Revisions

Date Revised	Subject Matter Expert	Reason for Revision
November 1976	---	Otis Stadthagen Germany
January 2, 2007	Tom Charney	Updated

Related Drawings

Drawing No.	Title	Drawing No.	Title
9701CP	Floor Plate		

Related Documents

Document ID	Title
---	---

Subject Matter Expert

Name	Department
Tom Charney	OSC Service Engineering

About Spare Parts Leaflets...

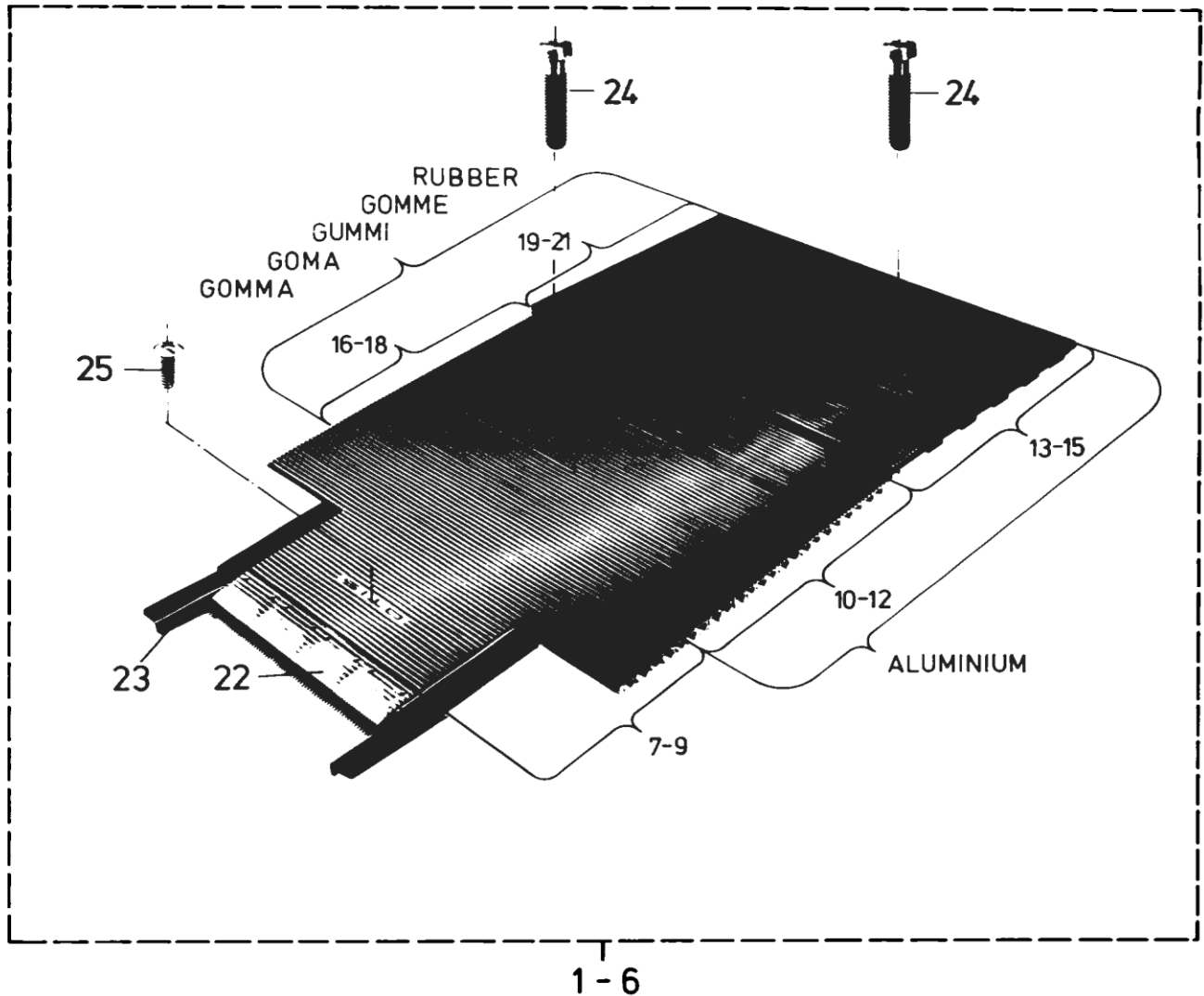
This document lists the lowest replaceable units (LRUs) for the standard version of the product. The LRUs are chosen by a team of Otis associates representing engineering and manufacturing.

While goal of this document is to make parts identification as easy as possible, the document cannot be all-inclusive. Elevator and escalator contracts classified as "special" or "custom" are not addressed here. For such contracts, please refer to specified information, the contract folder, TIPs, Field Education Articles, Construction Letters, etc. for further information.

If you have any suggestions about this document, please contact the subject matter expert listed on this page.

9701CP Floor Plate

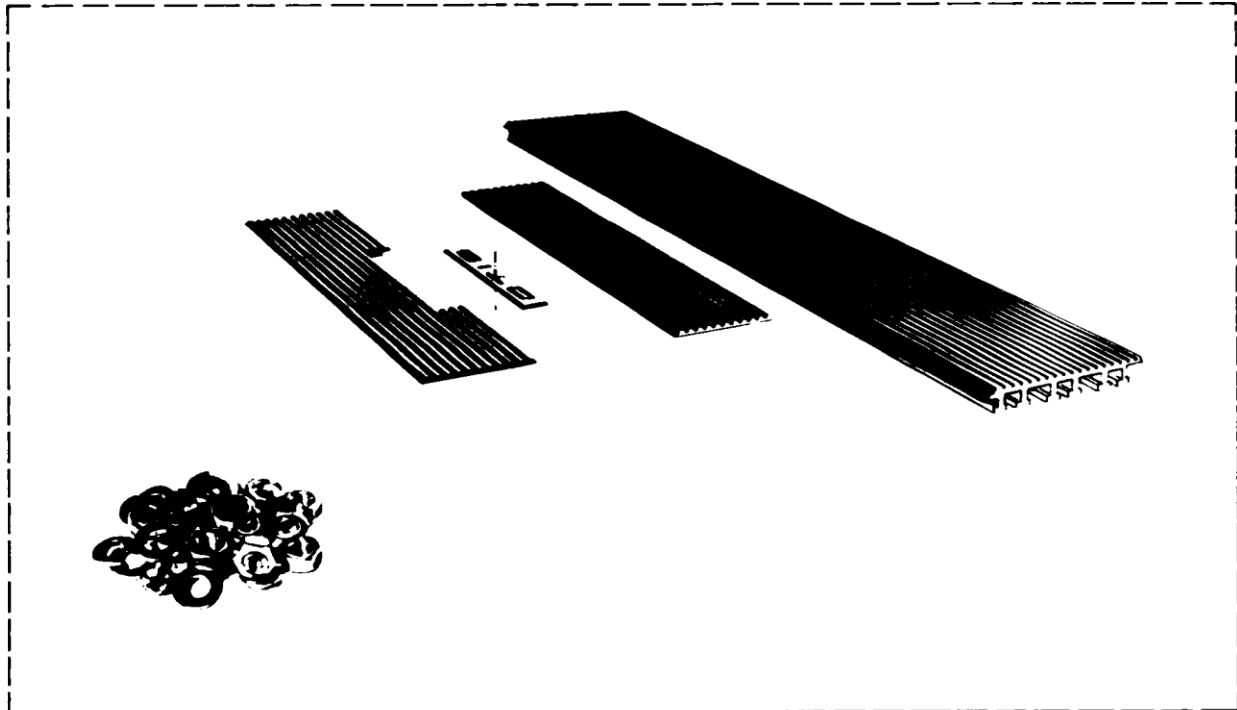
56-9701CP



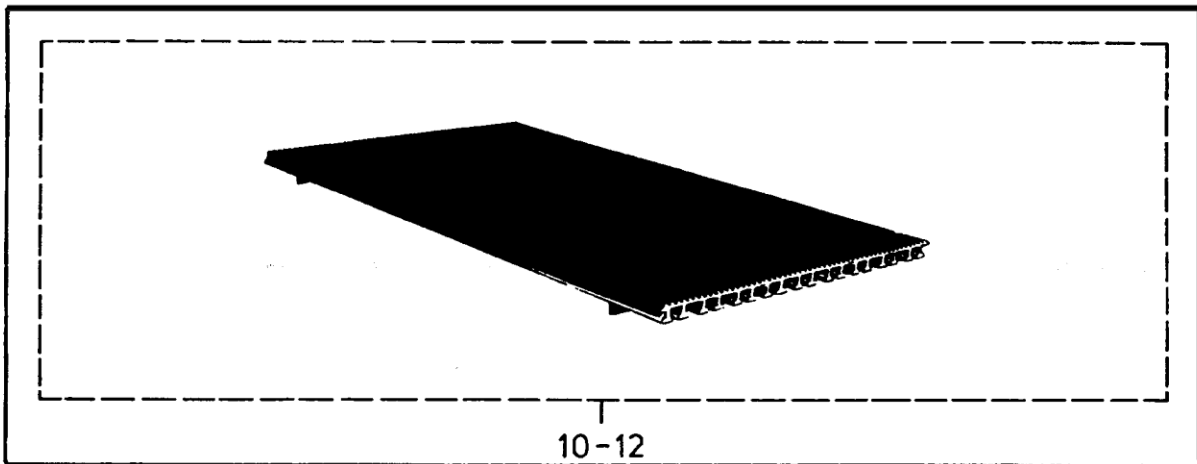
		SERIAL G.01
REF. No.	DESCRIPTION	PART No.
1	32-in., Rubber Coating	GO2215W1
2	44-in., Rubber Coating	GO2215W2
3	48-in., Rubber Coating	GO2215W3
4	32-in., Aluminum Coating	GO2215W4
5	44-in., Aluminum Coating	GO2215W5
6	48-in., Aluminum Coating	GO2215W6
22	Combs, See SPL 56-GO453A	---
23	Guides	GO2215T6
24	Screw, Filister Head, Stainless Steel	GOA112C1
25	Screw, Phillips Head	GO59AL1

56-9701CP

Type 9701CP Floor Plate



7-9

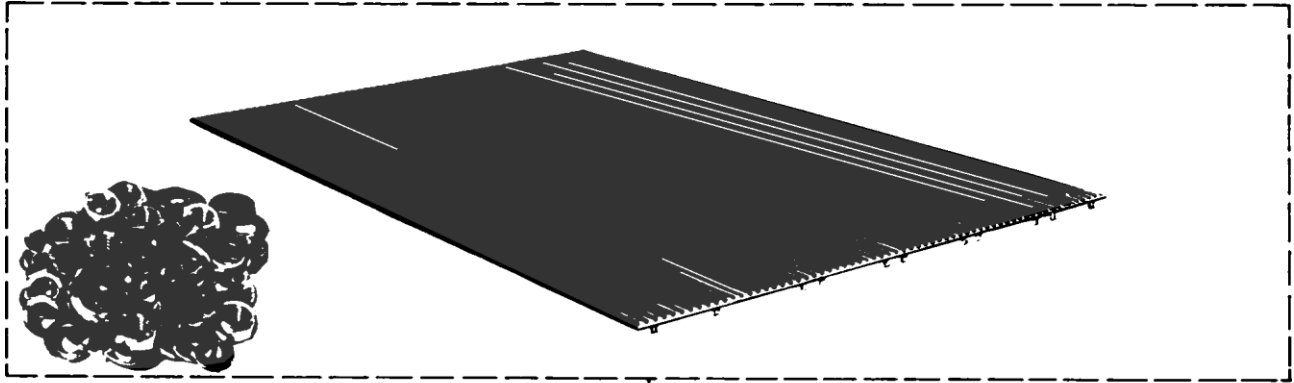


10-12

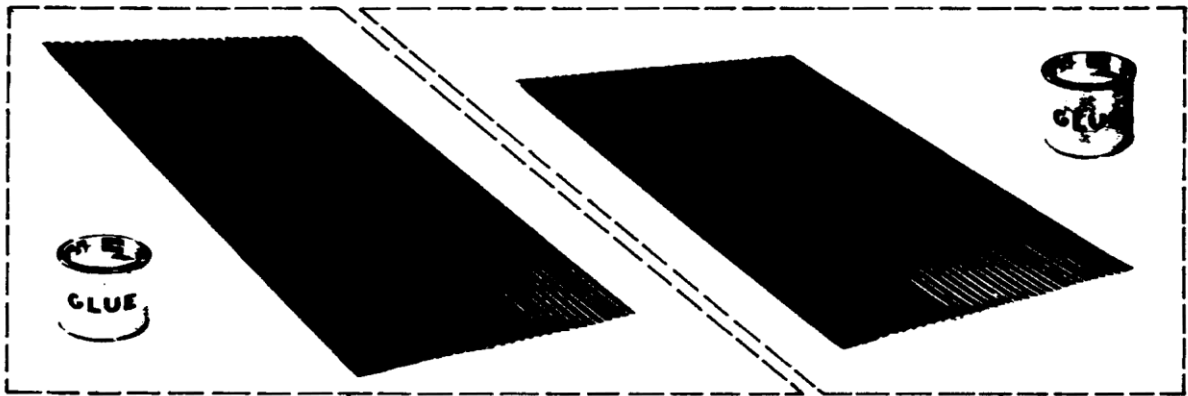
		SERIAL G.01
REF. No.	DESCRIPTION	PART No.
7	Combplate, Coated, and Hardware (Type 32-in.)	GO2215W7
8	Combplate, Coated, and Hardware (Type 44-in.)	GO2215W8
9	Combplate, Coated, and Hardware (Type 48-in.)	GO2215W9
10	Floorplate, Aluminum Coating	GO457BX10
11	Floorplate, Aluminum Coating	GO457BX11
12	Floorplate, Aluminum Coating	GO457BX12

9701CP Floorplate

56-9701CP



13-15



16-18

19-21

SERIAL G.01

REF. No.	DESCRIPTION	PART No.
13	Floor Plate, Tilting, Aluminum Coating (Type 32-in.)	GO2215W10
14	Floor Plate, Tilting, Aluminum Coating and Hardware (Type 44-in.)	GO2215W11
15	Floor Plate, Tilting, Aluminum Coating and Hardware (Type 48-in.)	GO2215W12
16	Rubber Coating and Glue for Floorplate (Type 32-in.)	GO2215W13
17	Rubber Coating and Glue for Floorplate (Type 44-in.)	GO2215W14
18	Rubber Coating and Glue for Floorplate (Type 48-in.)	GO2215W15
19	Rubber Coating and Glue for Tilting Floorplate (Type 32-in.)	GO2215W16
20	Rubber Coating and Glue for Tilting Floorplate (Type 44-in.)	GO2215W17
21	Rubber Coating and Glue for Tilting Floorplate (Type 48-in.)	GO2215W18

NOTE: Fit coating and punch holes at assembly.