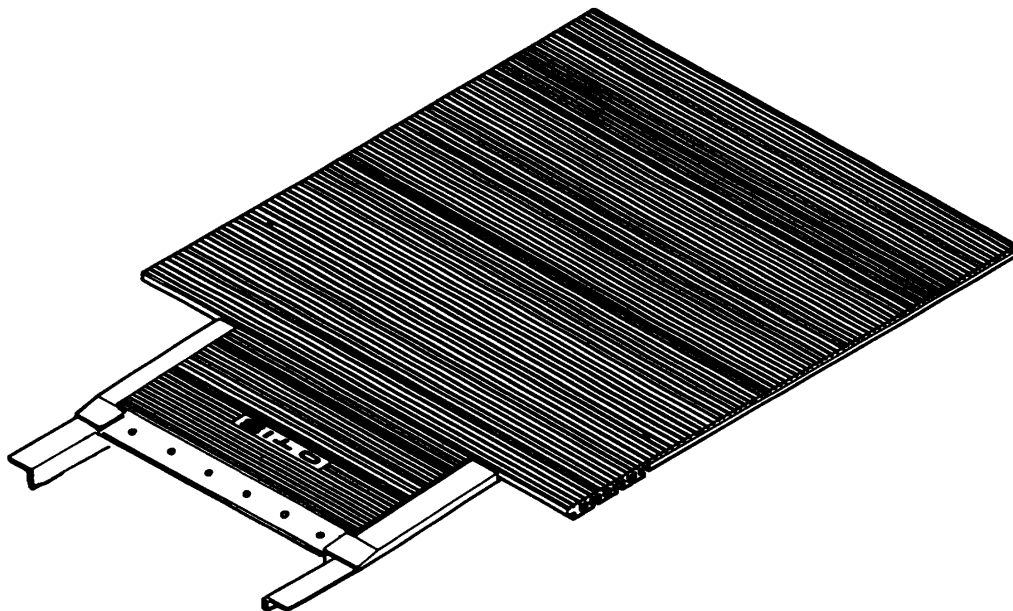
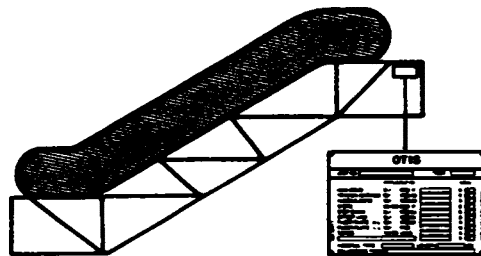


Escalator Comb and
Floor Plate: Upper
Landing, Otis 506

Spare Parts Leaflet
56-9703AY-NSAA

March 15, 2017 / Page 1 of 5



OTIS

This document contains technical data
subject to EAR. ECCN: EAR99

SERVICE ENGINEERING

Otis Elevator Company

Bloomfield, Connecticut USA

Unpublished Work—© Otis Elevator Co.; 2017

Leaflet Description

This SPL is intended to provide comb and floor plate replacement part information for Otis 506 model escalators installed in North America, or otherwise under A17.1 or B44 code jurisdiction.

Leaflet Revisions

Date Revised	Subject Matter Expert	Reason for Revision
April 25, 2005	Tom Charney	New SPL (based on the German SPL 56-9703AY)
March 15, 2017	Tom Charney	Updated p. 4

Related Drawings

Drawing No.	Title	Drawing No.	Title
9703AY	Comb and Floor Plates, Complete, Upper Landing	---	---
---	---	---	---

Related Documents

Document ID	Title
---	---
---	---

Subject Matter Expert

Name	Department
Tom Charney	OSC Service Engineering

About Spare Parts Leaflets...

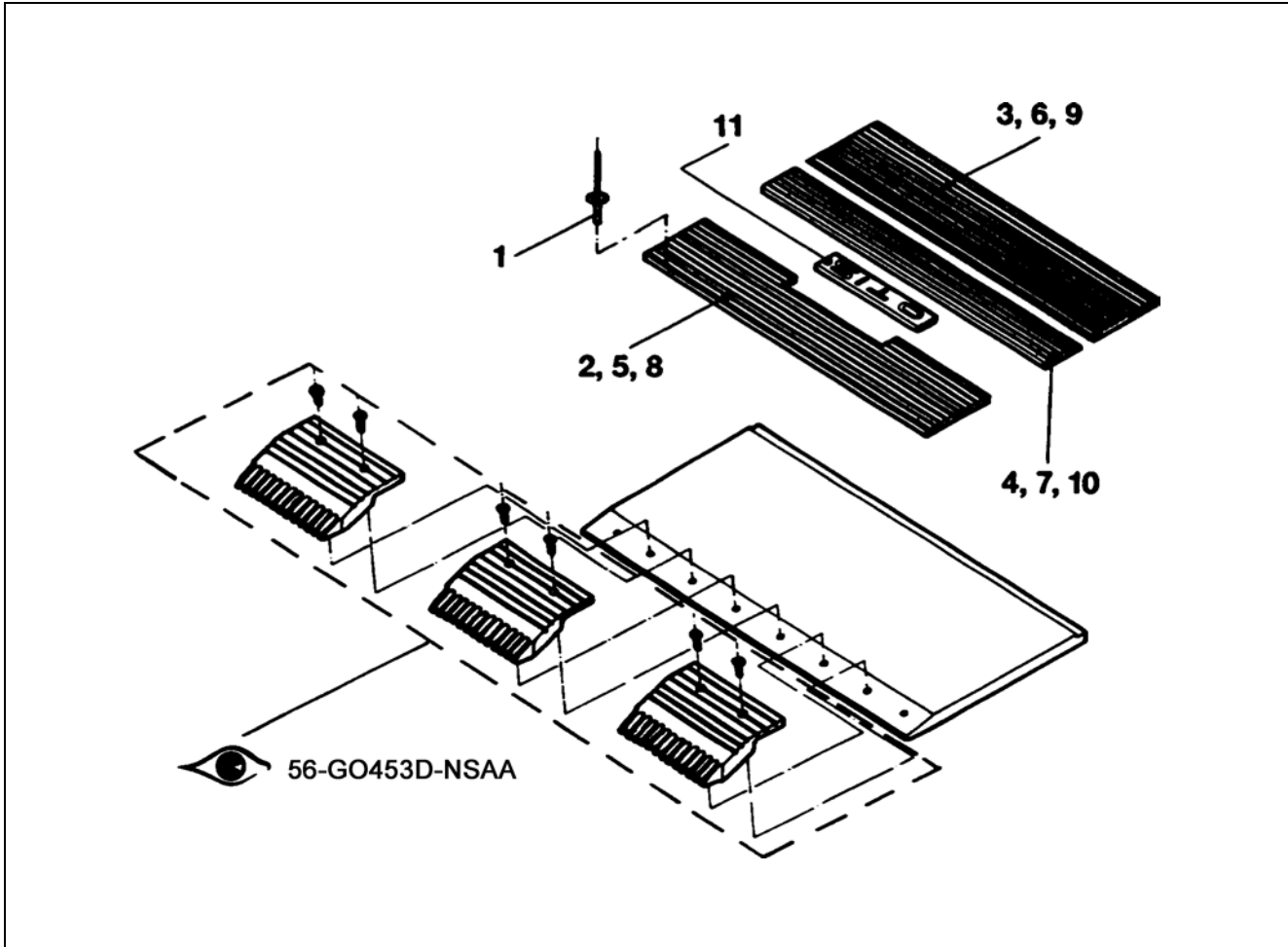
This document lists the lowest replaceable units (LRUs) for the standard version of the product. The LRUs are chosen by a team of Otis associates representing engineering and manufacturing.

While goal of this document is to make parts identification as easy as possible, the document cannot be all-inclusive. Elevator and escalator contracts classified as "special" or "custom" are not addressed here. For such contracts, please refer to specified information, the contract folder, TIPs, Field Education Articles, Construction Letters, etc. for further information.

If you have any suggestions about this document, please contact the subject matter expert listed on this page.

Escalator Comb and Floor Plate: Upper Landing, Otis 506

56-9703AY-NSAA

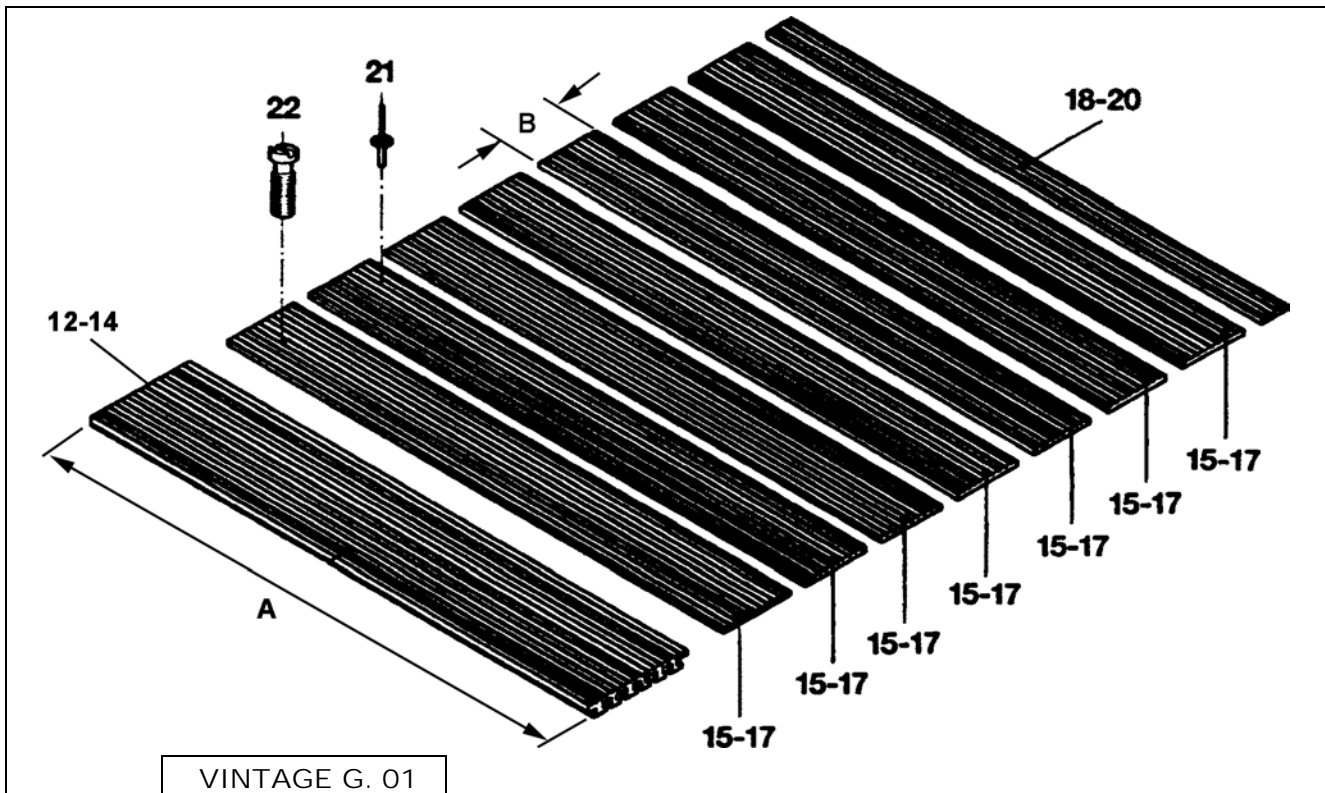


VINTAGE G. 01

REF. No.	PART No.	DESCRIPTION	TYPE
1	GO2215W42	Blind Rivet 3.2 x 25	---
2	GO457CL1	Comb Plate Tread	600
3	GO457CL4	Comb Plate Tread	
4	GO457CL7	Comb Plate Tread	
5	GO457CL2	Comb Plate Tread	800
6	GO457CL5	Comb Plate Tread	
7	GO457CL8	Comb Plate Tread	
8	GO457CL3	Comb Plate Tread	1000
9	GO457CL6	Comb Plate Tread	
10	GO457CL9	Comb Plate Tread	
11	GO102KJ1	Plate, Name	---

56-9703AY-NSAA

Escalator Comb and Floor Plate: Upper Landing, Otis 506

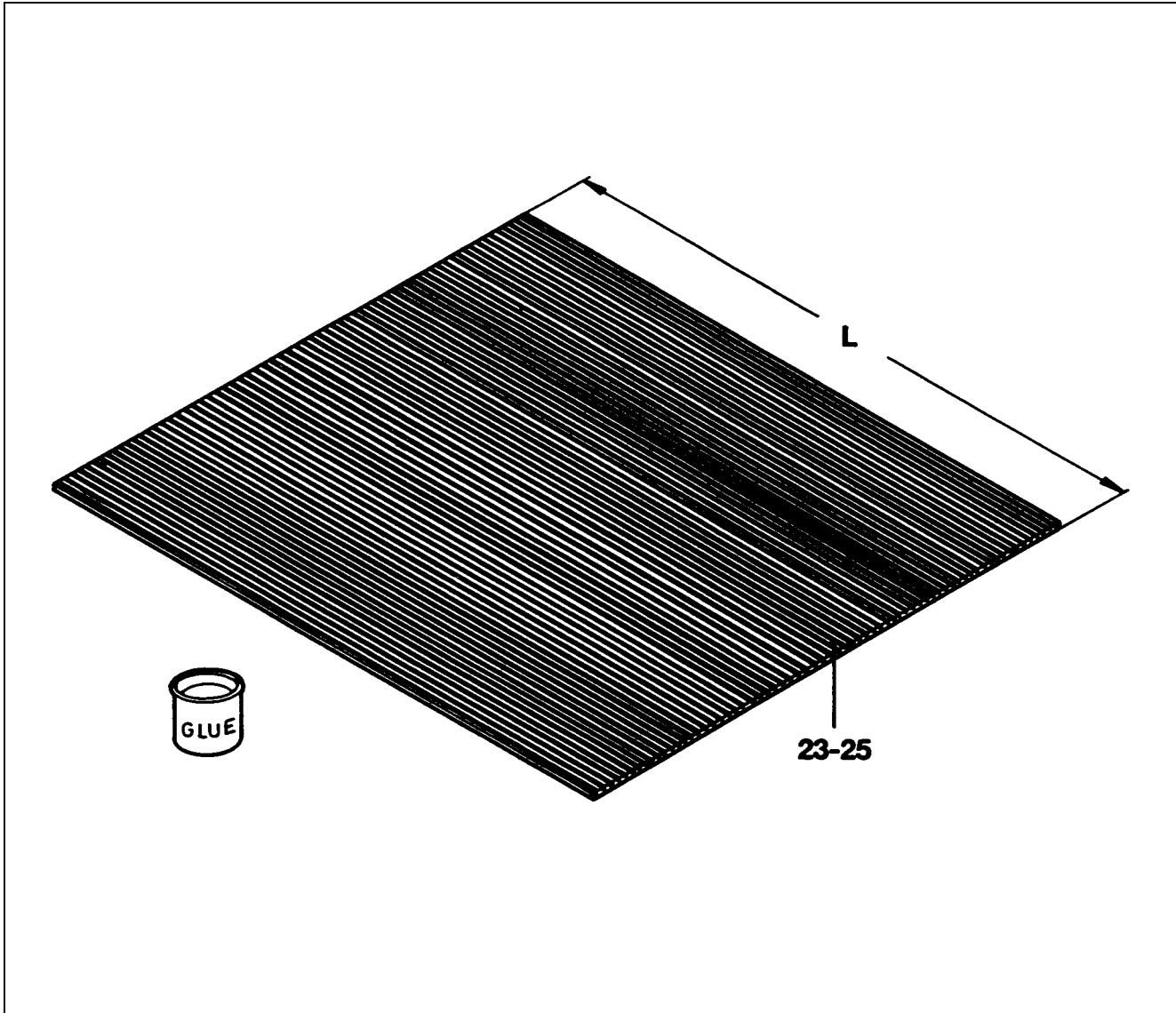





VINTAGE G. 01

REF. No.	PART No.	DESCRIPTION	A (mm)	B (mm)	TYPE
12	GO457CN1 GO457CN8	Fixed Floor Plate	1153	---	600
	GO457CN38	Fixed Floor Plate	1195	---	
	GO457CN2 GO457CN9	Fixed Floor Plate	1356	---	
13	GO457CN39	Fixed Floor Plate	1398	---	800
	GO457CN3 GO457CN10	Fixed Floor Plate	1559	---	
14	GO457CN40	Fixed Floor Plate	1601	---	1000
	GO457CL10	Floor Plate Tread	1153	134.2	
15	GO457CL71	Floor Plate Tread	1195	134.2	
	16	GO457CL11	Floor Plate Tread	1356	134.2
GO457CL72		Floor Plate Tread	1398	134.2	
17	GO457CL12	Floor Plate Tread	1559	134.2	1000
	GO457CL73	Floor Plate Tread	1601	134.2	
18	GO457CL13	Floor Plate Tread	1153	62	600
	GO457CL83	Floor Plate Tread	1195	62	
19	GO457CL14	Floor Plate Tread	1356	62	800
	GO457CL84	Floor Plate Tread	1398	62	
20	GO457CL15	Floor Plate Tread	1559	62	1000
	GO457CL85	Floor Plate Tread	1601	62	
21	GO2215W42	Blind Rivet 3.2 x 25, Fastening Parts			
22	GOA112C1	Filister Head Screw, Stainless Steel, Fastening Parts			

Escalator Comb and Floor Plate: Upper Landing, Otis 506

56-9703AY-NSAA



VINTAGE G. 01			
REF. No.	PART No.	DESCRIPTION	TYPE
23	GO2215W41	Rubber Coating, L = 1200 mm, 	600
24		Rubber Coating, L = 1400 mm, 	800
25		Rubber Coating, L = 1600 mm, 	1000

 on job site