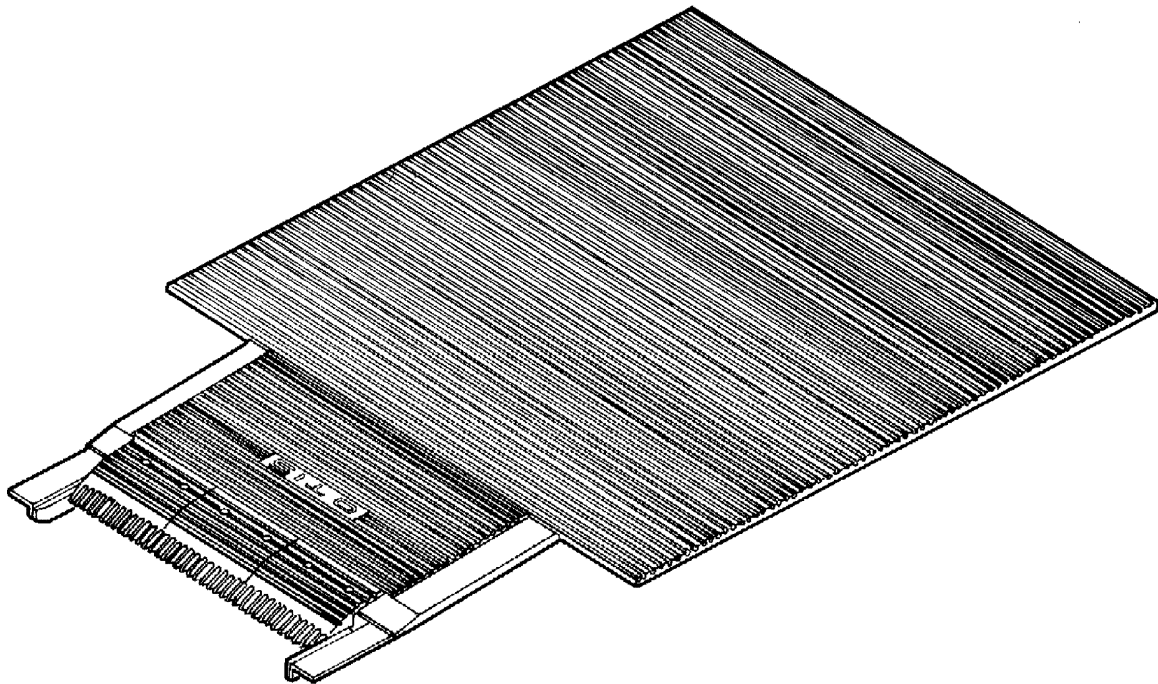
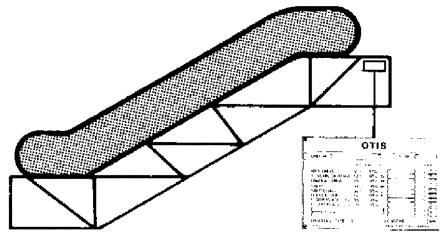


**<NAO> Escalator
Comb and Floor Plate:
Upper Landing, Otis 510**

Spare Parts Leaflet

56-9704KA-NSAA

March 25, 2005 / Page 1 of 5



Unpublished Work—©Otis Elevator Co.; 2005

OTIS

Safety First!

**SERVICE ENGINEERING
Otis Elevator Company
Bloomfield, Connecticut USA**

Leaflet Description

This SPL is intended to provide Comb and Floorplate replacement part information for Otis 510 model escalators installed in North America, or otherwise under A17.1 or B44 code jurisdiction.

Leaflet Revisions

Date Revised	Subject Matter Expert	Reason for Revision
March 25, 2005	Tom Charney	New SPL (based on the German SPL 56-9704KA)
---	---	---

Related Drawings

Drawing No.	Title	Drawing No.	Title
9704KA	510 Comb and Floor Plate	---	---
---	---	---	---

Related Documents

Document ID	Title
---	---
---	---

Subject Matter Expert

Name	Department
Tom Charney	OSC Service Engineering

About Spare Parts Leaflets...

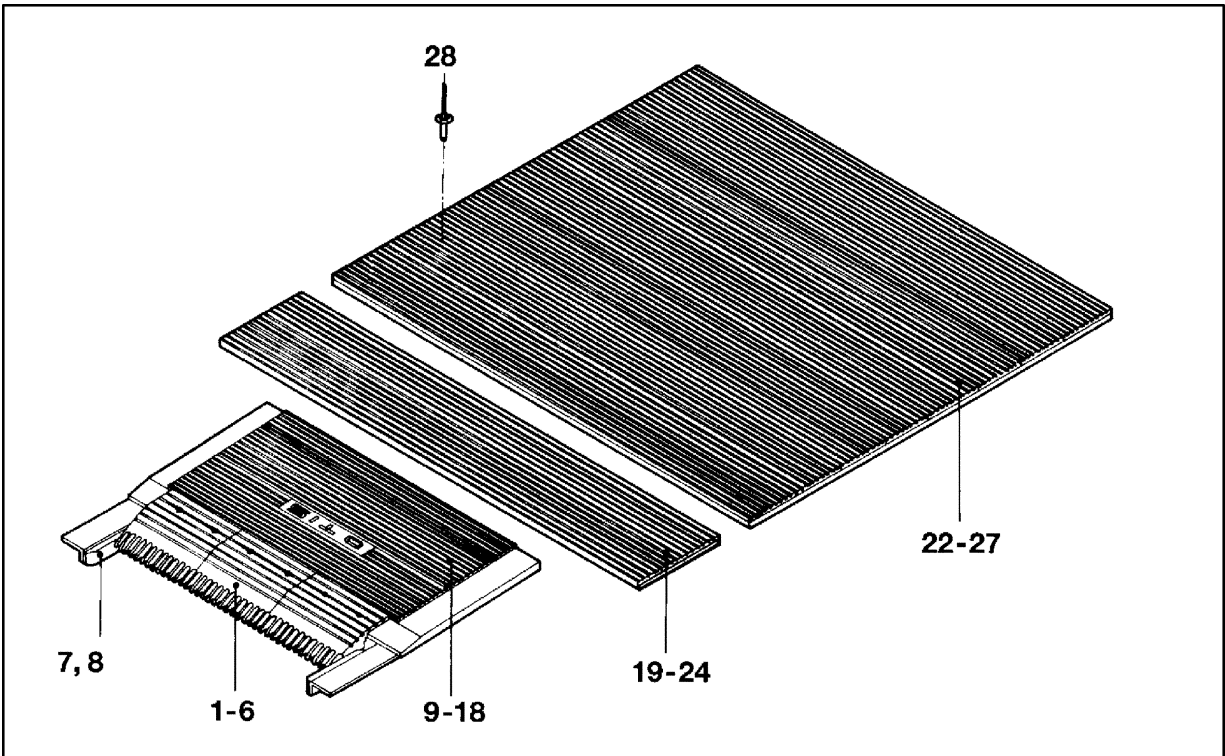
This document lists the lowest replaceable units (LRUs) for the standard version of the product. The LRUs are chosen by a team of Otis associates representing engineering and manufacturing.

While goal of this document is to make parts identification as easy as possible, the document cannot be all-inclusive. Elevator and escalator contracts classified as "special" or "custom" are not addressed here. For such contracts, please refer to specified information, the contract folder, TIPs, Field Education Articles, Construction Letters, etc. for further information.

If you have any suggestions about this document, please contact the subject matter expert listed on this page.

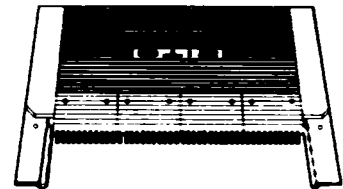
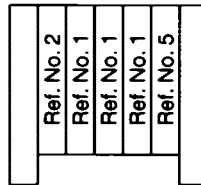
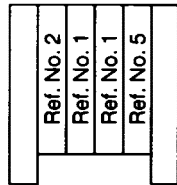
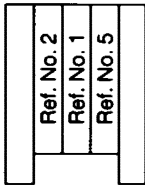
Comb and Floor Plate Upper Landing Otis 510

56-9704KA-NSAA



ARRANGEMENT OF COMBS GO 453 D

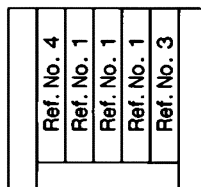
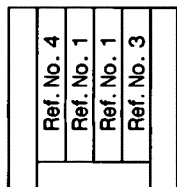
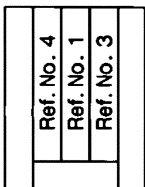
TYP 600 GOA 453 G 4	TYP 800 GOA 453 G 5	TYP 1000 GOA 453 G 6
------------------------	------------------------	-------------------------



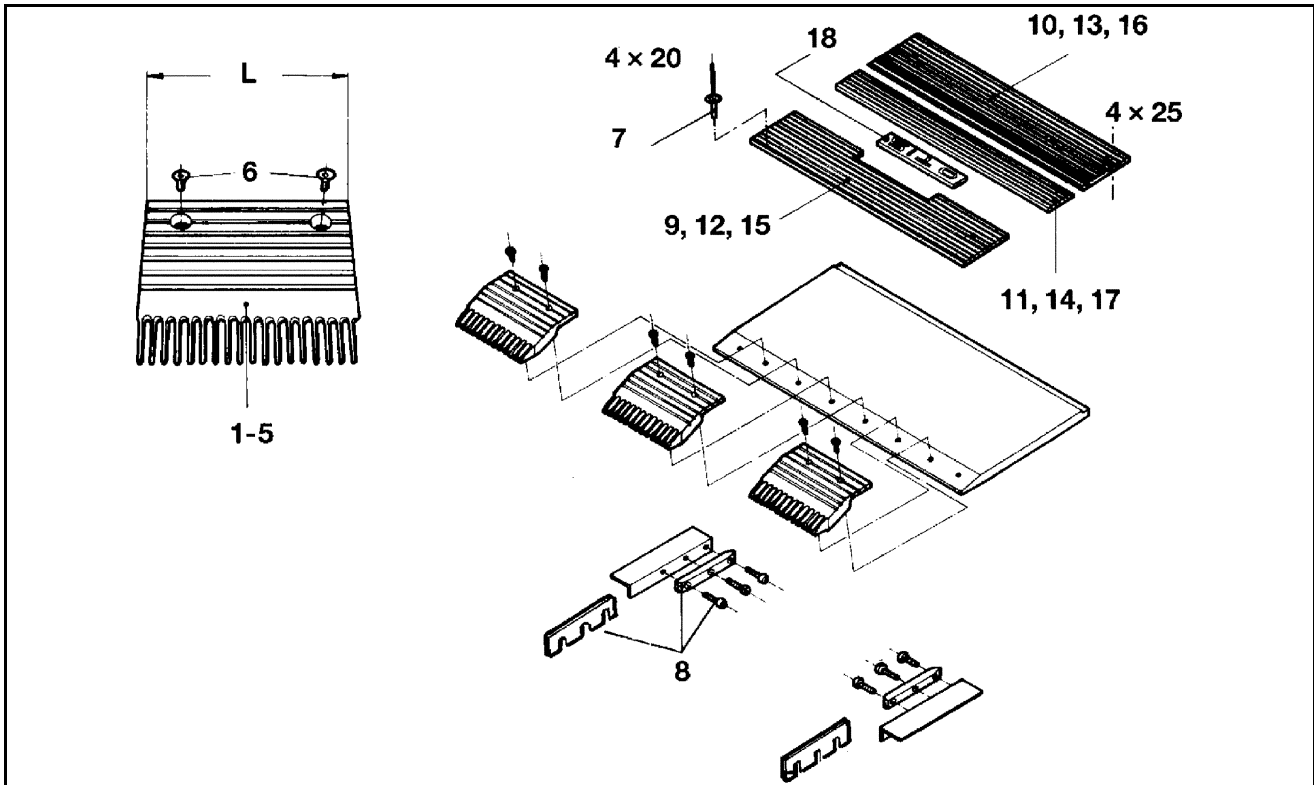
ARRANGEMENT OF COMBS GO 453 D

TYP 600 GOA 453 G 7	TYP 800 GOA 453 G 8	TYP 1000 GOA 453 G 9
------------------------	------------------------	-------------------------

ONLY FOR STEP DEMARCATION INSERT



Comb and Floor Plate Upper Landing Otis 510

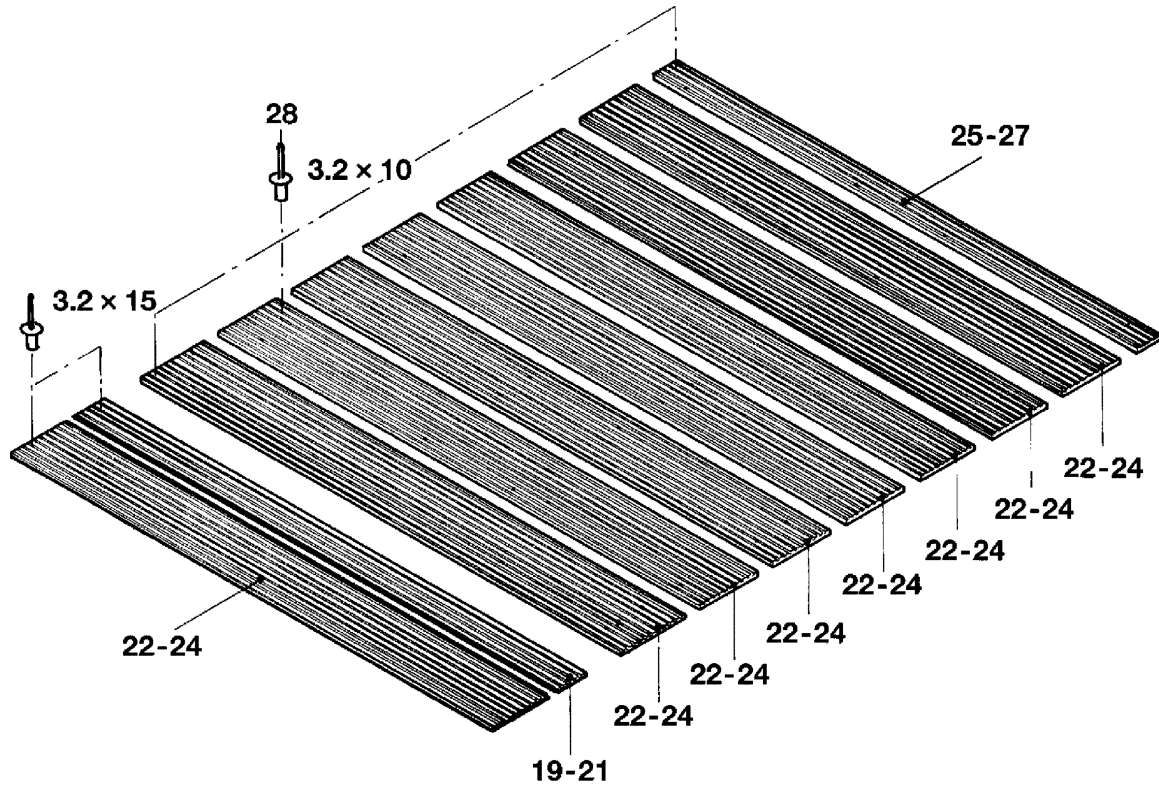


VINTAGE G. 01

REF. No.	PART No.	DESCRIPTION	TYPE
1	GO453D1	Comb L = 203,184, 24 Teeth	
2	GO453D6	Comb L = 197,994, 23 Teeth	
3	GO453D3	Comb L = 206,39, 24 Teeth	
4	GO453D7	Comb L = 197,994, 23 Teeth	
5	GO453D5	Comb L = 206,39, 24 Teeth	
6	GO2215W42	GO2215T7 Fastening Parts	
7		Blind Rivet 4x20, 4x25 Fastening Parts	
8	GO2215T6	Guide &	
9	GO457CL1	Shape	600
10	GO457CL4	Shape	
11	GO457CL7	Shape	
12	GO457CL2	Shape	800
13	GO457CL5	Shape	
14	GO457CL8	Shape	
15	GO457CL3	Shape	1000
16	GO457CL6	Shape	
17	GO457CL9	Shape	
18	GO102KJ1	Plate	

Comb and Floor Plate Upper Landing Otis 510

56-9704KA-NSAA



VINTAGE G. 01

REF. No.	PART No.	DESCRIPTION	TYPE
19	GO457CL110	Shape	600
20	GO457CL111	Shape	800
21	GO457CL112	Shape	1000
22	GO457CL113	Shape	600
23	GO457CL114	Shape	800
24	GO457CL115	Shape	1000
25	GO457CL122	Shape	600
26	GO457CL123	Shape	800
27	GO457CL124	Shape	1000
28	GO2215W42	Blind Rivet 3.2x10, 3.2x15 Fastening Parts	