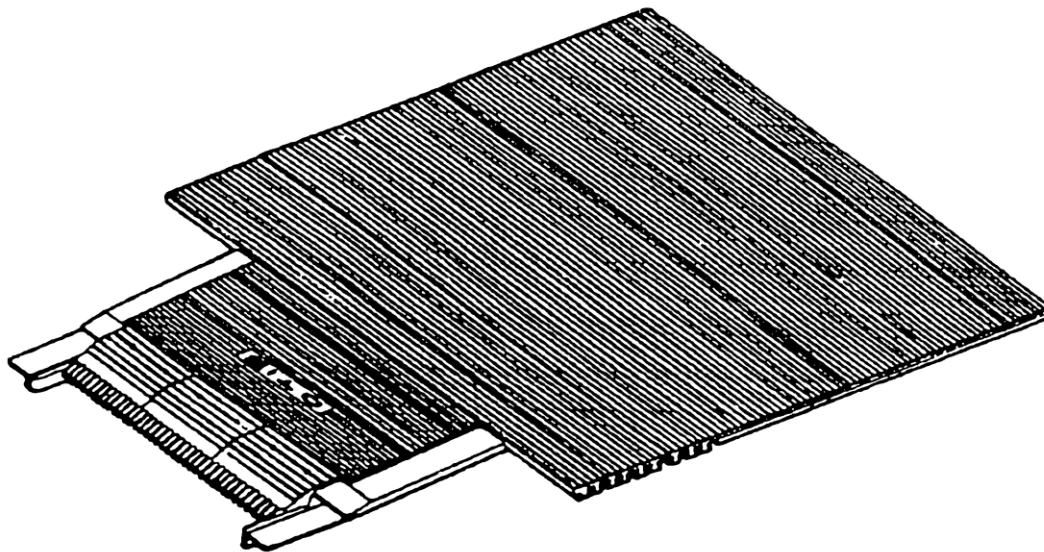
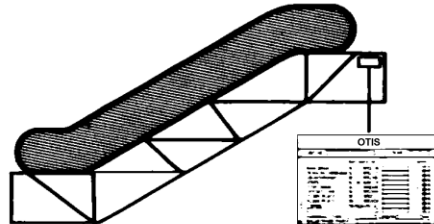


**Escalator - UBSL
Floor Plate & Combs
Upper Landing**

Spare Parts Leaflet

56-BAA26220AM-NSAA

September 15, 2003 / Page 1 of 8



Unpublished Work—©Otis Elevator Co.; 2003

OTIS

Safety First!

SERVICE ENGINEERING

Otis Elevator Company

Bloomfield, Connecticut USA

Leaflet Description

This document is prepared as an adjunct to the Brazilian leaflet: 56-BAA26220AM, *Comb/Floor Plate, Upper Landing, NAO*. The purpose is to ensure the ordering of the correct comb plates.

Both the UBSL and 506 Slimline escalators specified the type GAA453BM comb plates. However, reports of fitting compatibility problems have been reported when interchanging combs from the two manufacturing sources. OSC has prepared drawing: AAA453AJ to ensure the compatibility of combs among the different models and manufacturing sources.

Leaflet Revisions

Date Revised	Subject Matter Expert	Reason for Revision
September 15, 2003	Tom Charney	New SPL (see <i>Leaflet Description</i>)

Related Drawings

Drawing No.	Title	Drawing No.	Title
AAA453AJ	Comb Plate	---	---

Related Documents

Document ID	Title
SPL 56-BAA26220AM	Comb/Floor Plate-Lower Landing-NAO

Subject Matter Expert

Name	Department
Tom Charney	OSC Service Engineering

About Spare Parts Leaflets...

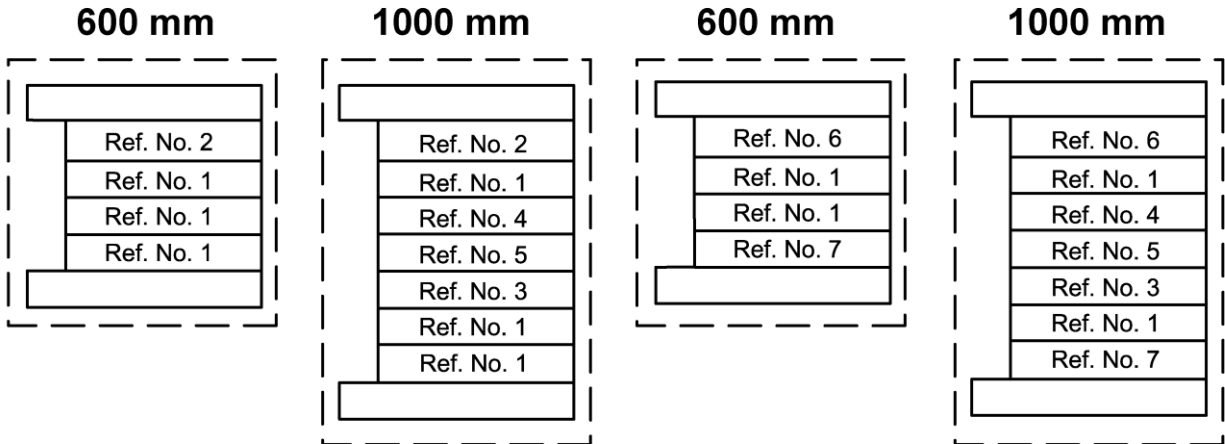
This document lists the lowest replaceable units (LRUs) for the standard version of the product. The LRUs are chosen by a team of Otis associates representing engineering and manufacturing.

While goal of this document is to make parts identification as easy as possible, the document cannot be all-inclusive. Elevator and escalator contracts classified as "special" or "custom" are not addressed here. For such contracts, please refer to specified information, the contract folder, TIPs, Field Education Articles, Construction Letters, etc. for further information.

If you have any suggestions about this document, please contact the subject matter expert listed on this page.

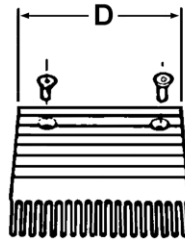
Comb Plate Arrangements

56-BAA26220AM-NSAA

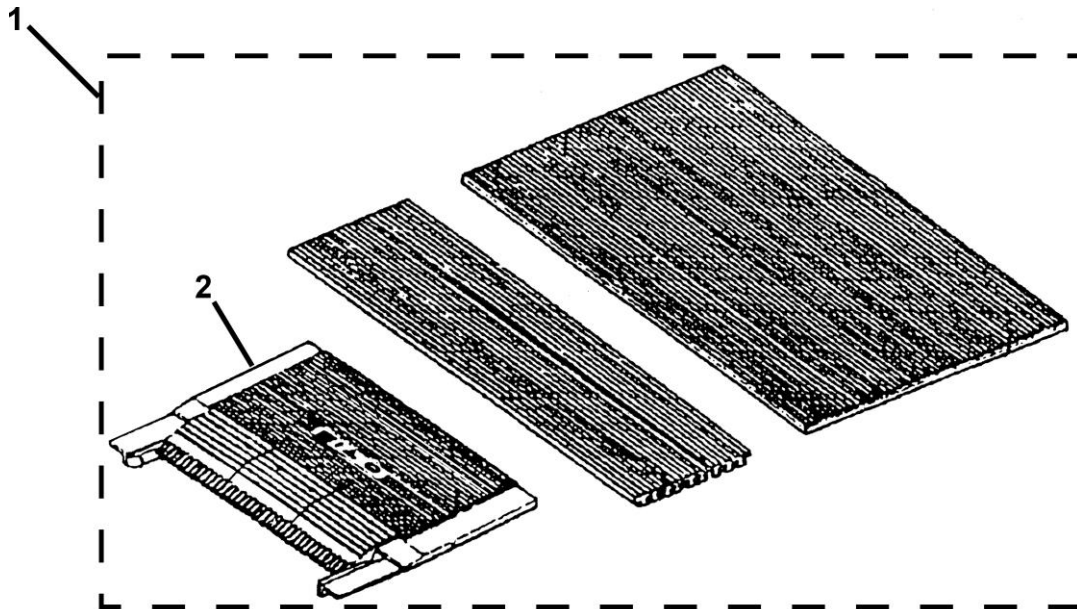


**For use with Steps
w/o Demarcation Insert**

**For use with Steps
with Demarcation Insert**



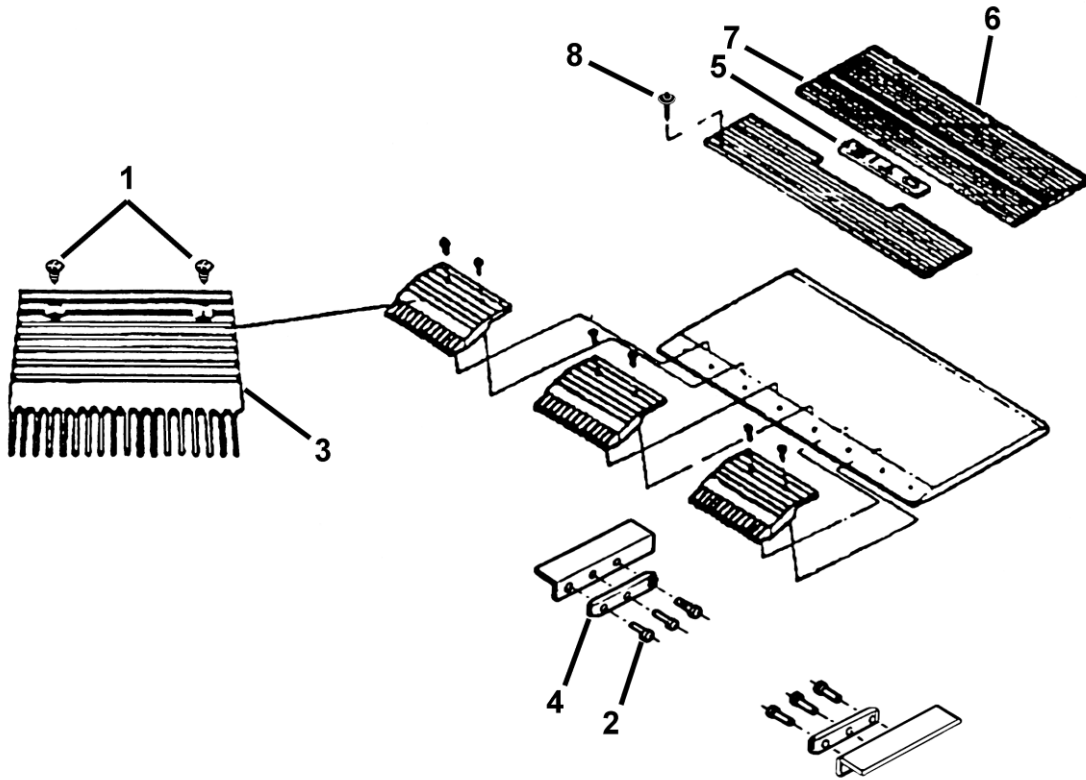
VINTAGE B 01		
REF. No.	PART No.	DESCRIPTION
1	AAA453AJ232	Comb, D = 5.998 in.
2	AAA453AJ233	Comb, D = 5.744 in.
3	AAA453AJ234	Comb, D = 5.373 in.
4	AAA453AJ235	Comb, D = 5.623 in.
5	AAA453AJ236	Comb, D = 4.998 in.
6	AAA453AJ237	Comb, D = 5.744 in.
7	AAA453AJ238	Comb, D = 5.998 in.



		VINTAGE B 01		
REF. No.	PART No.	DESCRIPTION	STEP WIDTH (mm)	
1	BAA26220AM1	Assembly, Comb & Floor Plate, w/o Insert (not New York City)	600	
	BAA26220AM3	Assembly, Comb & Floor Plate, with Insert (not New York City)		
	BAA26220AM2	Assembly, Comb & Floor Plate, w/o Insert (not New York City)	1000	
	BAA26220AM4	Assembly, Comb & Floor Plate, with Insert (not New York City)		
	BAA26220AM5	Assembly, Comb & Floor Plate, w/o Insert (New York City)	600	
	BAA26220AM7	Assembly, Comb & Floor Plate, with Insert (New York City)		
	BAA26220AM6	Assembly, Comb & Floor Plate, w/o Insert (New York City)	1000	
	BAA26220AM8	Assembly, Comb & Floor Plate, with Insert (New York City)		
2	BAA453E1	Assembly, Comb Plate, w/o Insert (not New York City)	600	
	BAA453E3	Assembly, Comb Plate, with Insert (not New York City)		
	BAA453E2	Assembly, Comb Plate, w/o Insert (not New York City)	1000	
	BAA453E4	Assembly, Comb Plate, with Insert (not New York City)		
	BAA453E5	Assembly, Comb Plate, w/o Insert (New York City)	600	
	BAA453E7	Assembly, Comb Plate, with Insert (New York City)		
	BAA453E6	Assembly, Comb Plate, w/o Insert (New York City)	1000	
	BAA453E8	Assembly, Comb Plate, with Insert (New York City)		

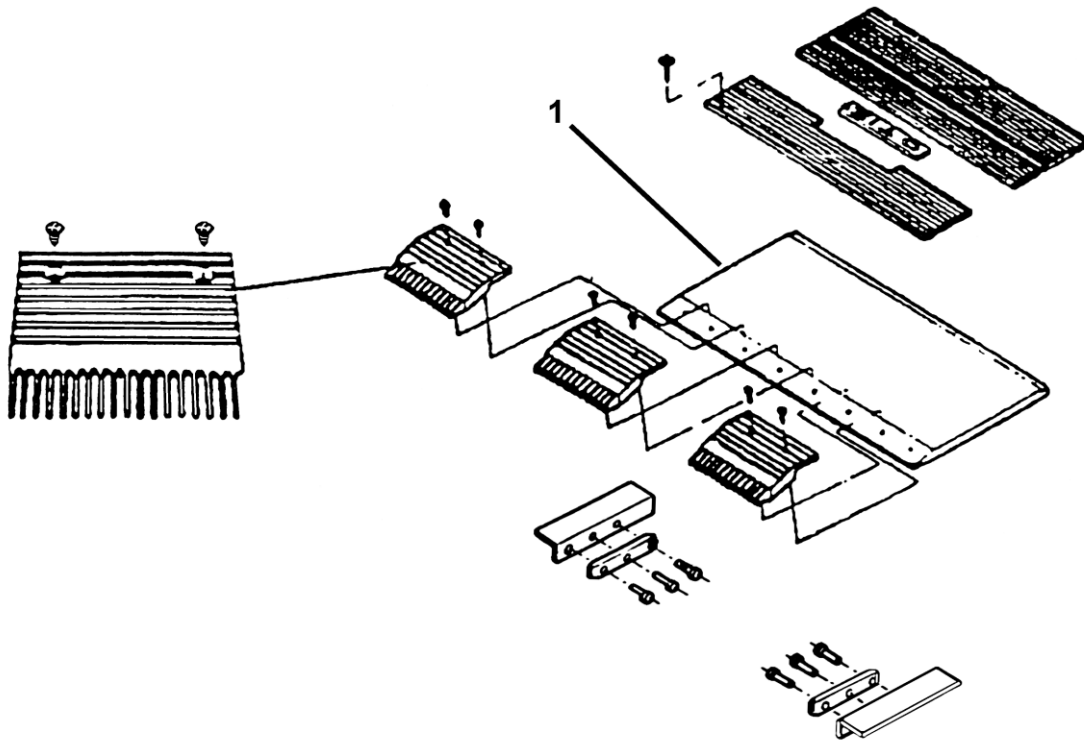
Comb Plate Components

56-BAA26220AM-NSAA



**VINTAGE
B 01**

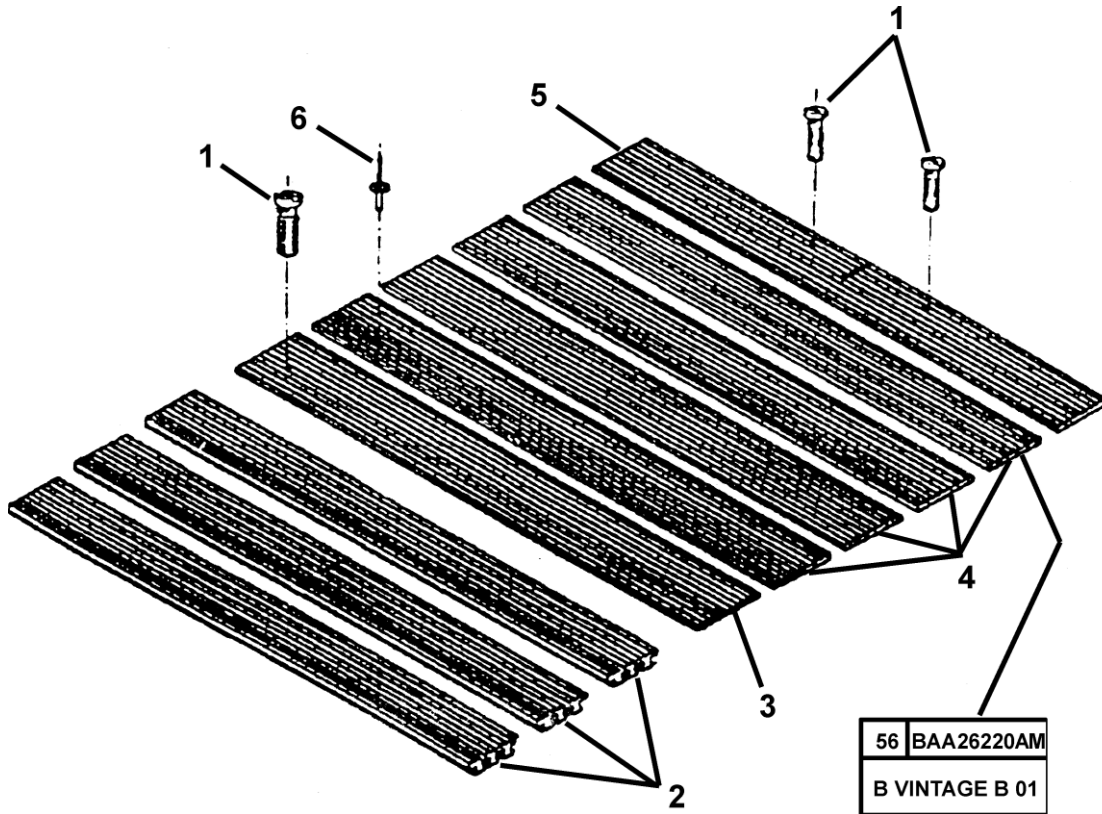
REF. No.	PART No.	DESCRIPTION	STEP WIDTH (mm)
1	BX124AG1	Bolt	---
2	VP-849885	Bolt, M6 x 25 mm L (DIN 84)	---
3	---	Comb (see page 3)	---
4	GO385BL1	Guide	---
5	YYGO102KJ1	Medallion, "OTIS" (with mounting holes, M6)	---
6	BAA457K2	Plate	600
	BAA457K4	Plate	1000
7	BAA457K1	Plate	600
	BAA457K3	Plate	1000
8	GO2215W42	Rivet	---



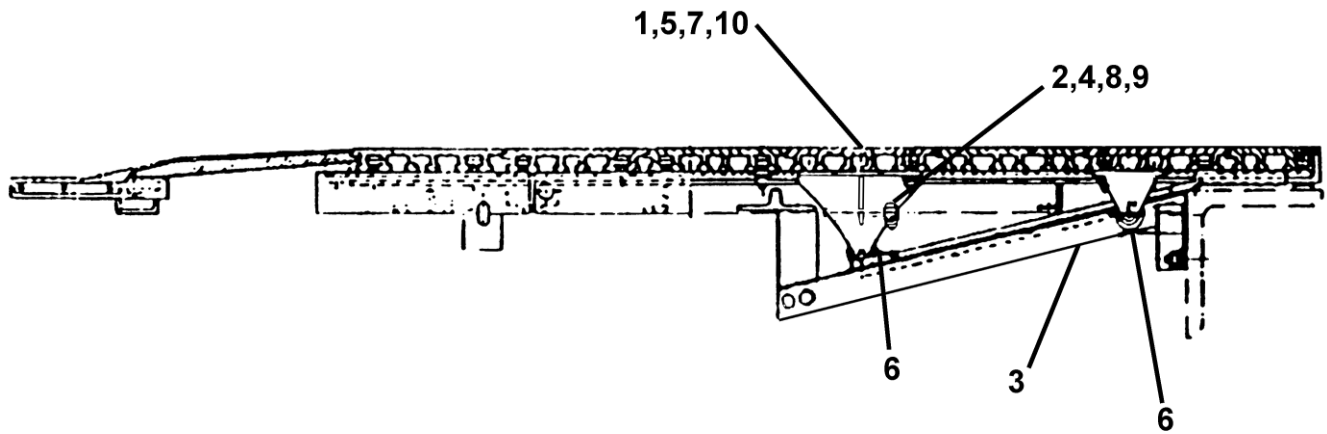
		VINTAGE B 01		
REF. No.	PART No.	DESCRIPTION		STEP WIDTH (mm)
1	BAA453F1	Comb Plate, w/o Demarcation Insert (not New York City)		600
	BAA453F7	Comb Plate, with Demarcation Insert (not New York City)		
	BAA453F2	Comb Plate, w/o Demarcation Insert (not New York City)		1000
	BAA453F8	Comb Plate, with Demarcation Insert (not New York City)		
	BAA453F9	Comb Plate, w/o Demarcation Insert (New York City)		600
	BAA453F11	Comb Plate, with Demarcation Insert (New York City)		
	BAA453F10	Comb Plate, w/o Demarcation Insert (New York City)		1000
	BAA453F12	Comb Plate, with Demarcation Insert (New York City)		

Floor Plates

56-BAA26220AM-NSAA



VINTAGE B 01			
REF. No.	PART No.	DESCRIPTION	STEP WIDTH (mm)
1	GOA112C1	Bolt	---
2	BAA457R1	Floor Plate	600
	BAA457R3	Floor Plate	1000
3	BAA457S2	Floor Plate	600
	BAA457S5	Floor Plate	1000
4	BAA457S3	Floor Plate	600
	BAA457S6	Floor Plate	1000
5	BAA457S1	Floor Plate	600
	BAA457S2	Floor Plate	1000
6	GO2215W42	Rivet	---



**VINTAGE
B 01**

REF. No.	PART No.	DESCRIPTION
1	GO63Y1	Bolt
2	DIN933_M6X25	Bolt
3	BAA316VH1	Bracket
4	VP-904958	Nut, A6.4 (DIN 125)
5	VP-816893	Nut, M8 (DIN 934)
6	BAA456D1	Roller
7	VP-904960	Washer, A8.4 (DIN 125)
8	VP-904979	Washer, Spring (DIN 127)
9	VP-904979	Washer, Spring (DIN 127)
10	VP-904890	Washer, Spring, B8 (DIN 127)