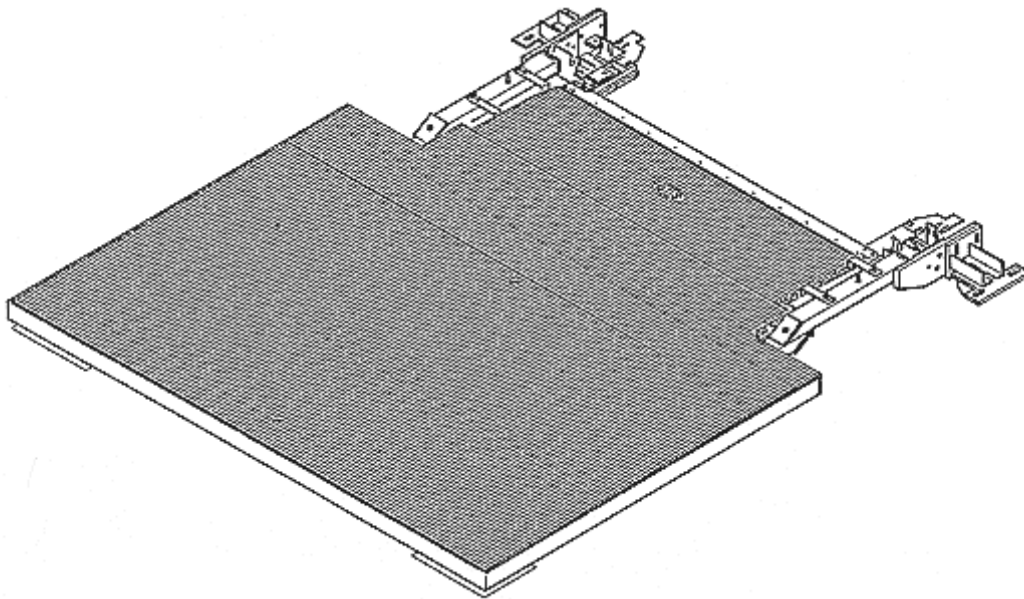
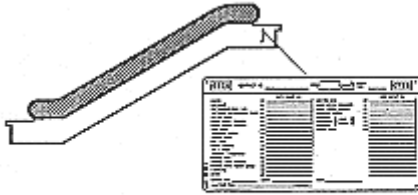


SPL 56-GAA26220AB - Escalator 510 Floorplate

Unpublished Work - © Otis Elevator Company. Any unauthorized reproduction, disclosure, or distribution of copies or content by any person of any portion of this work may be a violation of Copyright Law of the United States of America. All rights reserved.

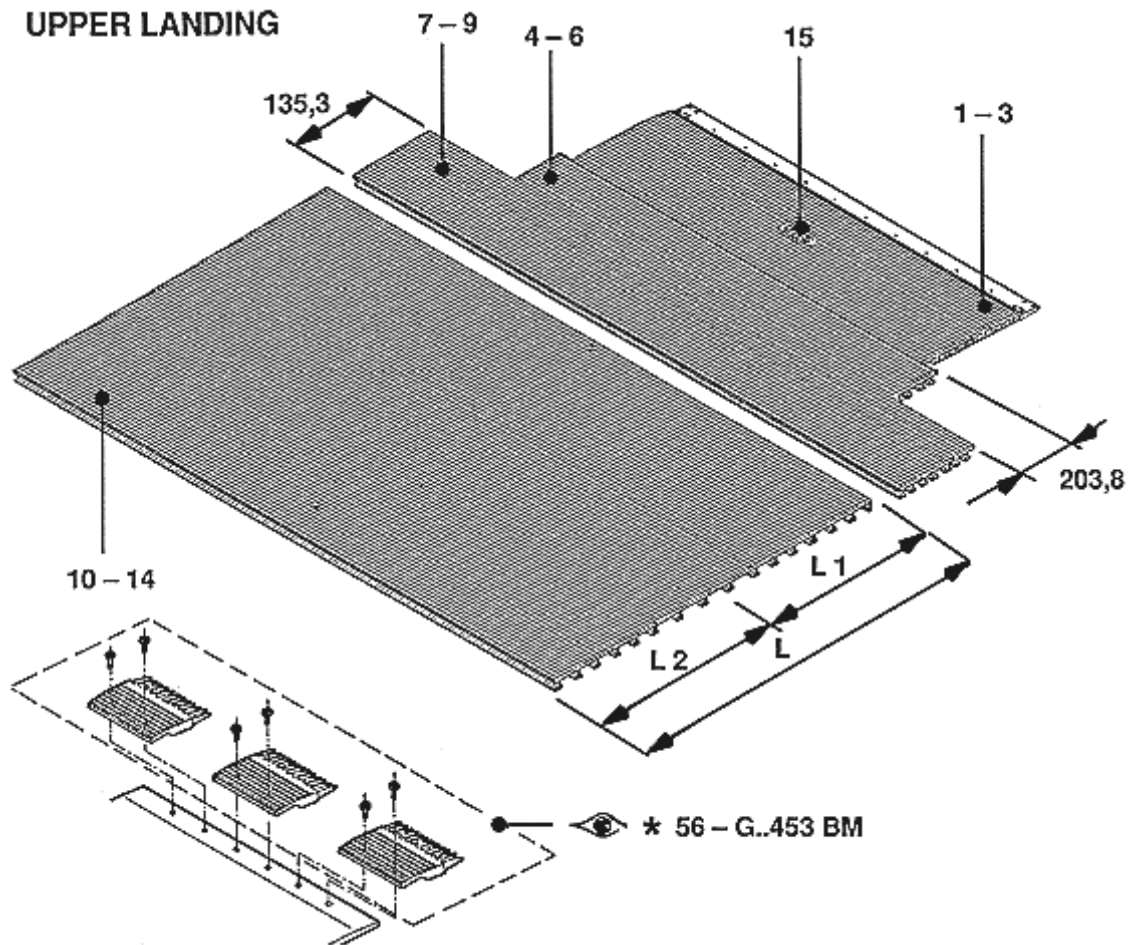
July 1994

Page 1



SPL 56-GAA26220AB - Escalator 510 Floorplate

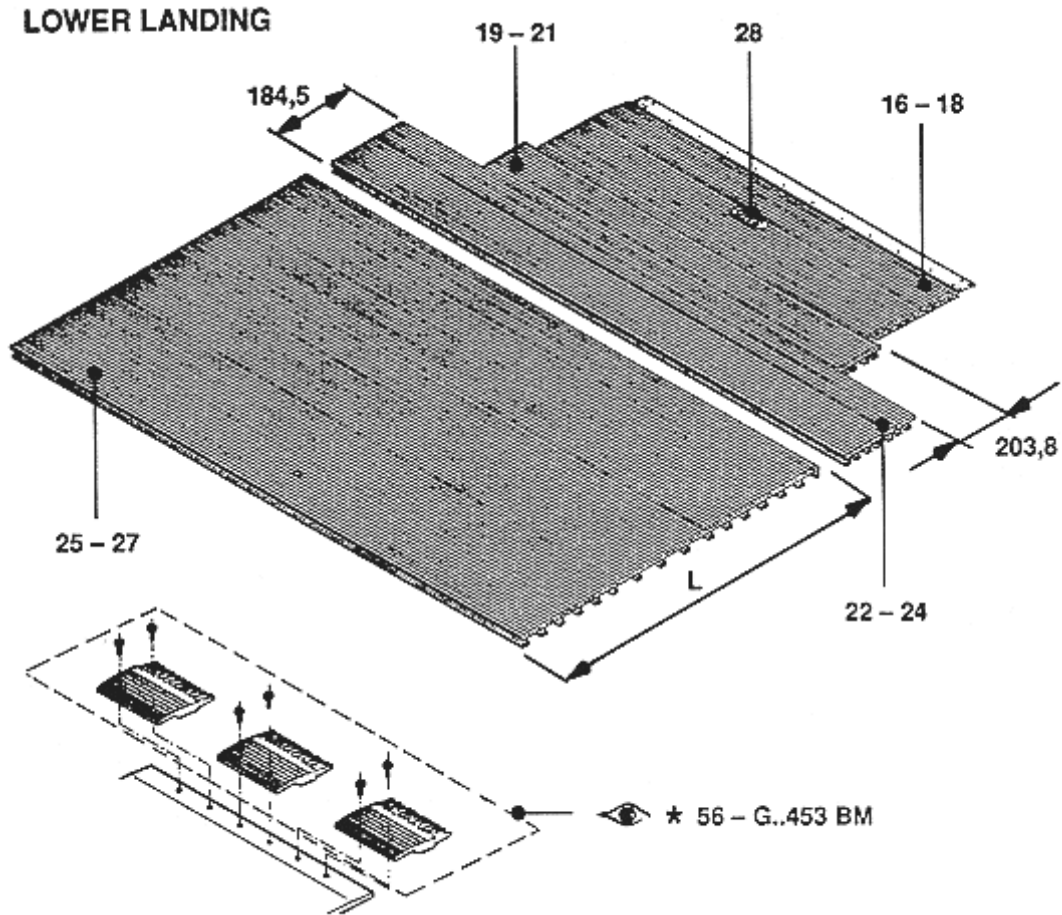
Page 2



GAA 26220 AB			
REF.NO.	PART OR ML	DESCRIPTION	TYPE
1	GAA453BJ1	Combplate	600
2	GAA453BJ2	Combplate	800
3	GAA453BJ3	Combplate	1000
4	GAA457HK1	Floorplate	600
5	GAA457HK2	Floorplate	800
6	GAA457HK3	Floorplate	1000
7	GAA457HL1	Floorplate	600
8	GAA457HL2	Floorplate	800
9	GAA457HL3	Floorplate	1000
10	GAA457HH1	Floorplate Length = 961,8	600
11	GAA457HH2	Floorplate Length = 961,8	800
12	GAA457HH3	Floorplate Length = 961,8	1000
13	GAA457HH10	Floorplate Length1 = 773 DUAL & DUPLEX DRIVE	1000
14	GAA457HH11	Floorplate Length2 = 693,8	
15	GAA102ADS1	Plate - Logo	

SPL 56-GAA26220AB - Escalator 510 Floorplate

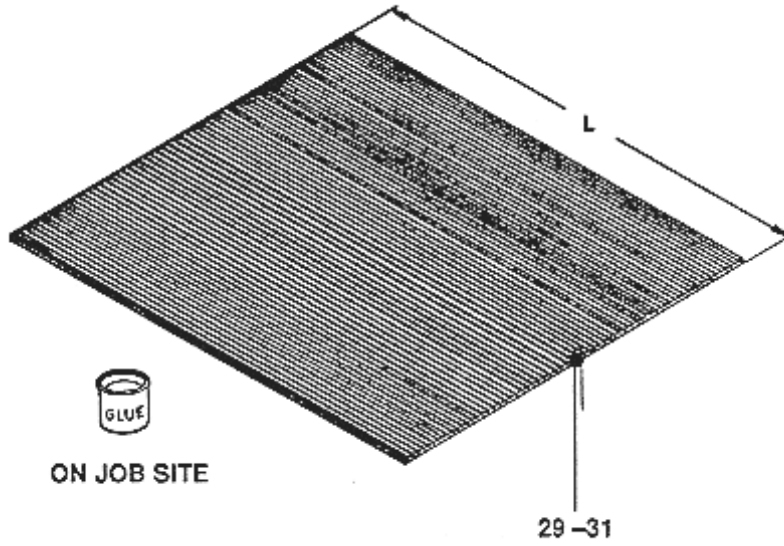
Page 3



GAA 26220 AB			
REF.NO.	PART OR ML	DESCRIPTION	TYPE
16	GAA453BJ1	Combplate	600
17	GAA453BJ2	Combplate	800
18	GAA453BJ3	Combplate	1000
19	GAA457HN1	Floorplate	600
20	GAA457HN2	Floorplate	800
21	GAA457HN3	Floorplate	1000
22	GAA457HM1	Floorplate	600
23	GAA457HM2	Floorplate	800
24	GAA457HM3	Floorplate	1000
25	GAA457HJ1	Floorplate Length = 819,6	600
26	GAA457HJ2	Floorplate Length = 819,6	800
27	GAA457HJ3	Floorplate Length = 819,6	1000
28	GAA102ADS1	Plate - Logo	

SPL 56-GAA26220AB - Escalator 510 Floorplate

Page 4



GAA 26220 AB				
REF.NO.	PART OR ML	DESCRIPTION		TYPE
29		Rubber roll	Length = 1228	600
30		Rubber roll	Length = 1431 LOWER LANDING	800
31		Rubber roll	Length = 1634	1000