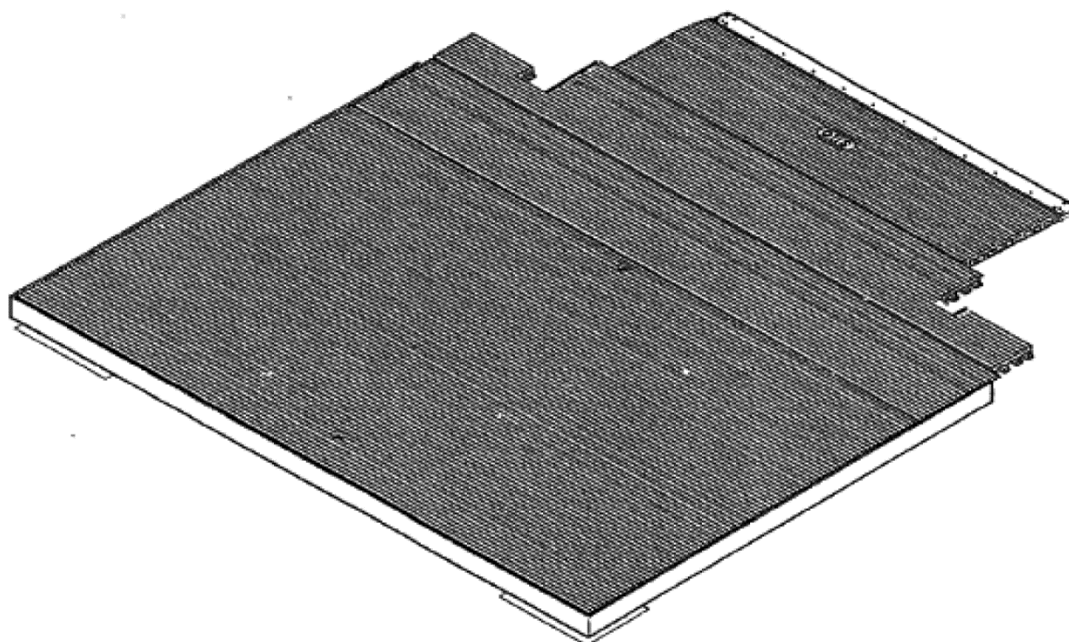
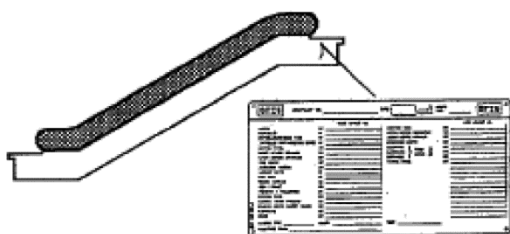


Escalator 513NPE Floor Plate

Spare Parts Leaflet 56-GAA26221F

April 30, 2014 / Page 1 of 4



OTIS

SERVICE ENGINEERING
Otis Elevator Company
Bloomfield, Connecticut USA

Unpublished Work—©Otis Elevator Co.; 2014

Leaflet Description

Escalator 513NPE Floor Plate.

Leaflet Revisions

Date Revised	Subject Matter Expert	Reason for Revision
July 1997	SME	Original document
May 30, 2010	Chen Jianhua	Add GBA50AGS1 on p 4
April 11, 2014	Gao, Yinglin	Parts for GAA26227S/... T were corrected to parts for GAA26221F on p. 3

Related Drawings

Drawing No.	Title	Drawing No.	Title
GAA26221F	Floor Plate		

Related Documents

Document ID	Title

Subject Matter Expert

Name	Department
Chen Jianhua	SIT-GUANGZHOU

About Spare Parts Leaflets...

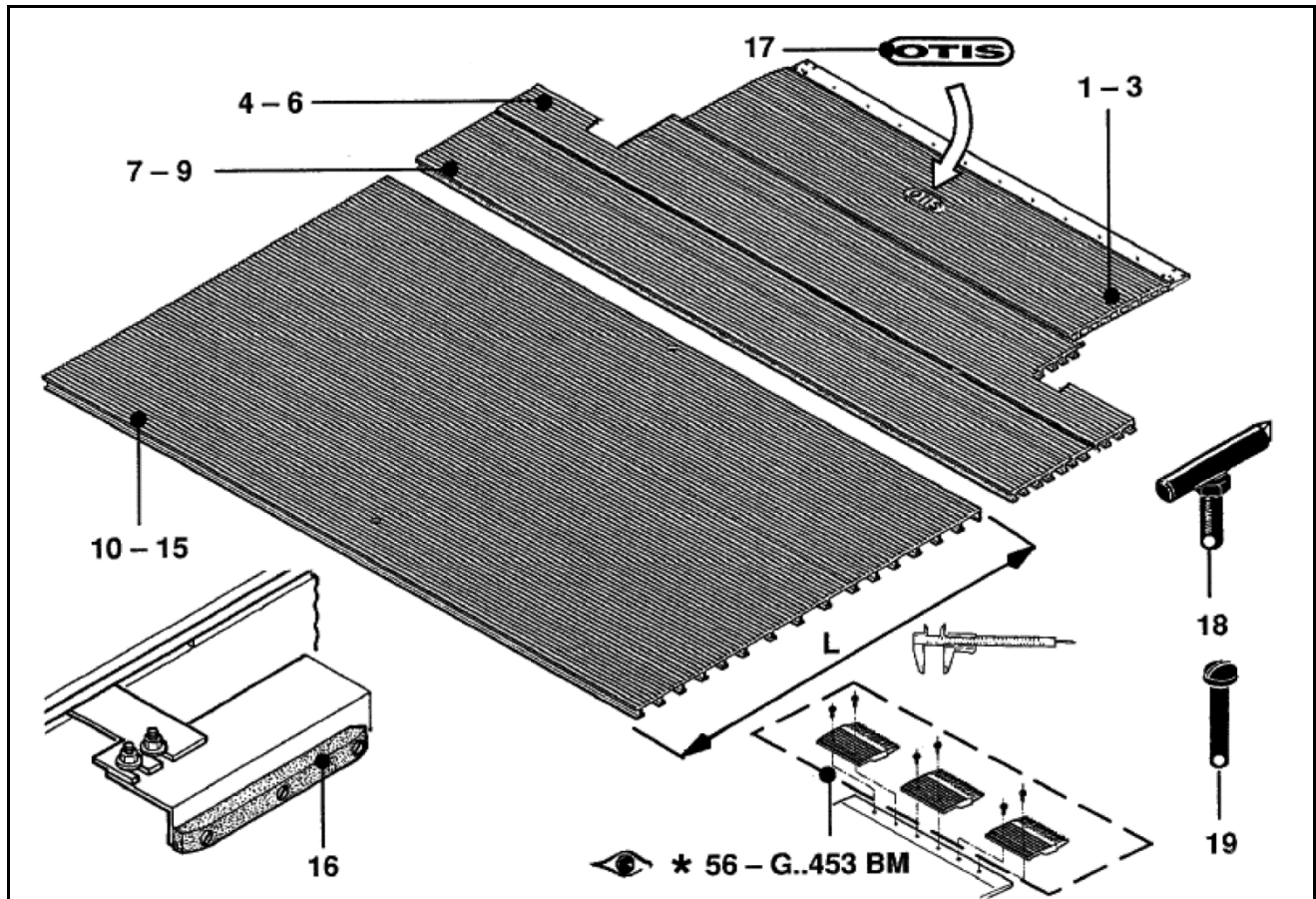
This document lists the lowest replaceable units (LRUs) for the standard version of the product. The LRUs are chosen by a team of Otis associates representing engineering and manufacturing.

While goal of this document is to make parts identification as easy as possible, the document cannot be all-inclusive. Elevator and escalator contracts classified as "special" or "custom" are not addressed here. For such contracts, please refer to specified information, the contract folder, TIPs, Field Education Articles, Construction Letters, etc. for further information.

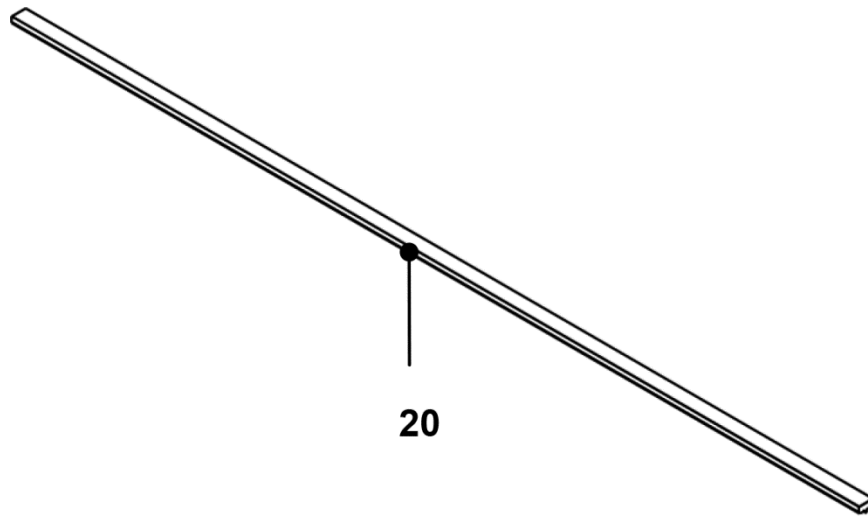
If you have any suggestions about this document, please contact the subject matter expert listed on this page.

Escalator 513NPE Floor Plate

56-GAA26221F



GAA26221F			
REF. No.	PART No.	DESCRIPTION	TYPE
1	GAA453CA1	Combplate w/ Logo	600
2	GAA453CA2	Combplate w/ Logo	800
3	GAA453CA3	Combplate w/ Logo	1000
4	GAA457HX1	Floorplate	100
5	GAA457HX2	Floorplate	800
6	GAA457HX3	Floorplate	600
7	GAA457HX4	Floorplate	100
8	GAA457HX5	Floorplate	800
9	GAA457HX6	Floorplate	600
10	GAA457JC1	Floorplate	600
11	GAA457JC2	Floorplate	800
12	GAA457JC3	Floorplate	1000
13	GAA457JD1	Floorplate	600
14	GAA457JD2	Floorplate	800
15	GAA457JD3	Floorplate	1000
16	GO2215T6	Guide	---
17	GAA102ADS2	Plate, Log + (2 blind rivets 3.2 x 10 - (195107)	---
18	GAA27BW1	Lifter	---
19	GO112C1	Filister Head Screw Stainless Steel	---



REF. No.	PART No.	DESCRIPTION
20	GAA26221F GBA50AGS1	Floorplate Isolation Strip