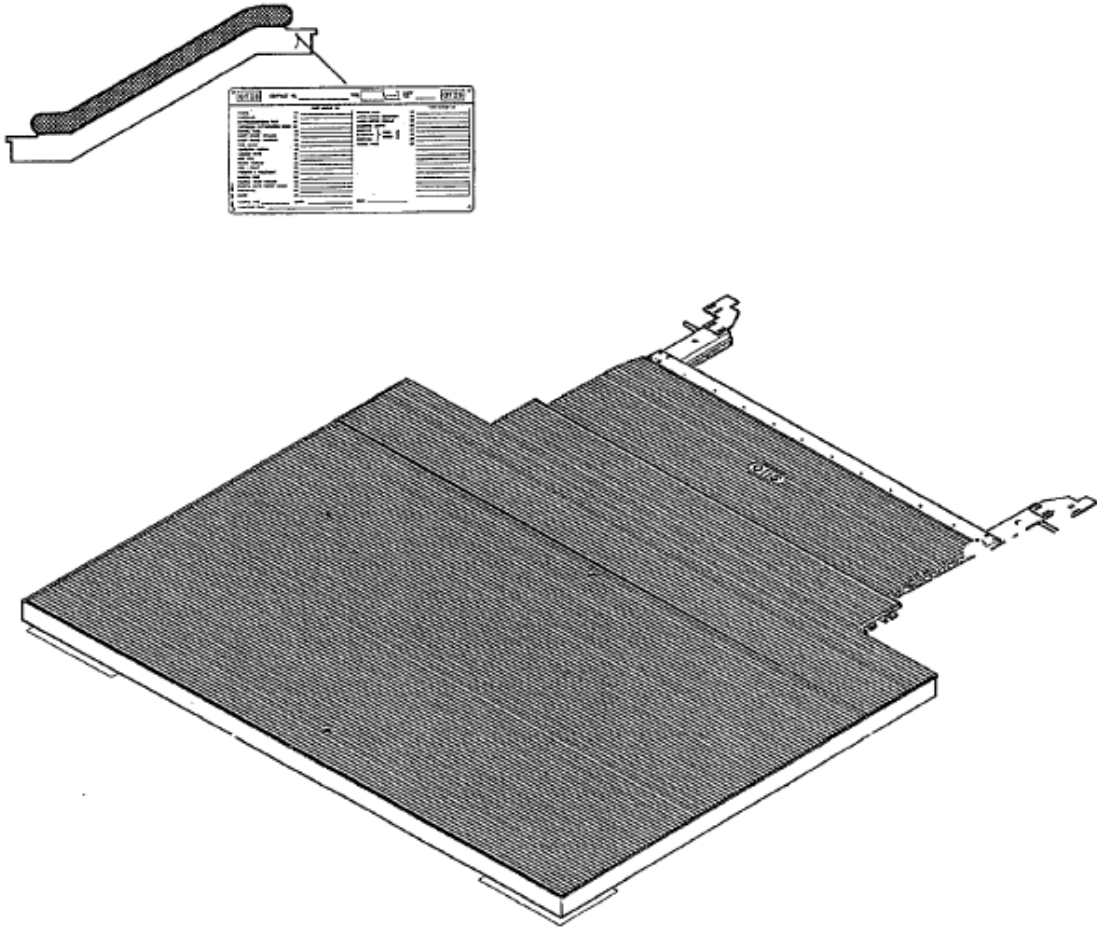


**ESCALATOR 513NPE/SR**  
**Floor Plate**

**Spare Parts Leaflet**  
**56-G..26221M**

May 30, 2010 Page 1 of 4



Unpublished Work—©Otis Elevator Co.

**OTIS**

**Safety First!**

**ESCALATOR ENGINEERING**  
**Otis Elevator Company**  
**SIT GUANGZHOU**

**Leaflet Description**

ESCALATOR 513NPE/SR FLOOR PLATE

**Leaflet Revisions**

<b>Date Revised</b>	<b>Subject Matter Expert</b>	<b>Reason for Revision</b>
July 1997		Original document
May 30, 2010	Chen Jianhua	Add GBA50AGS1 on page 4.

**Related Drawings**

<b>Drawing No.</b>	<b>Title</b>	<b>Drawing No.</b>	<b>Title</b>
GAA26221M	Floor Plate		

**Related Documents**

<b>Document ID</b>	<b>Title</b>

**Subject Matter Expert**

<b>Name</b>	<b>Department</b>
Chen Jianhua	SIT-GUANGZHOU

**About Spare Parts Leaflets**

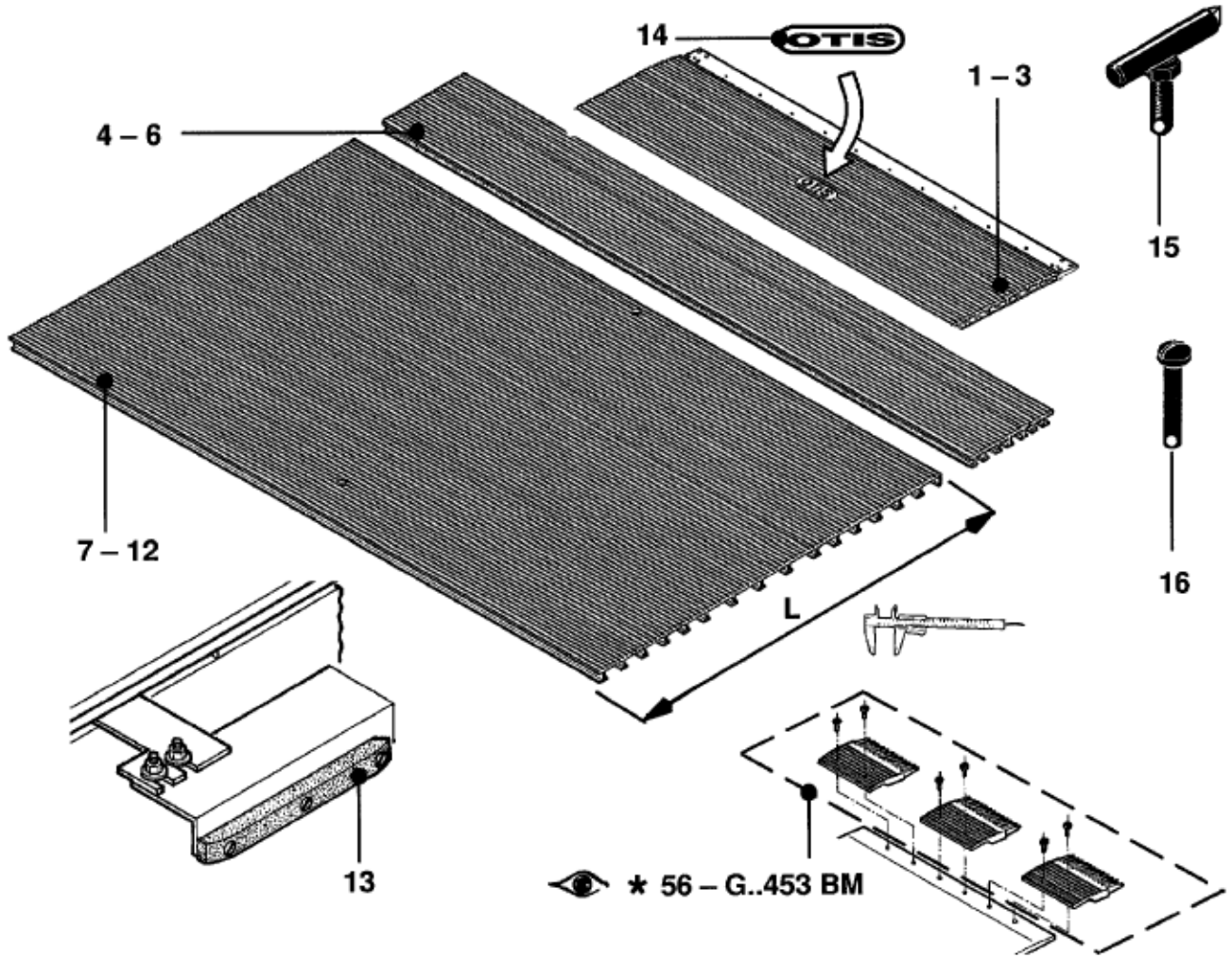
This document lists the lowest replaceable units (LRUs) for the standard version of the product. The LRUs are chosen by a team of Otis associates representing engineering and manufacturing.

While goal of this document is to make parts identification as easy as possible, the document cannot be all-inclusive. Elevator and escalator contracts classified as "special" or "custom" are not addressed here. For such contracts, please refer to specified information, the contract folder, TIPs, Field Education Articles, Construction Letters, etc. for further information.

If you have any suggestions about this document, please contact the subject matter expert listed on this page.

**56-G..26221M**

**ESCALATOR 513NPE/SR**  
**Floor Plate**

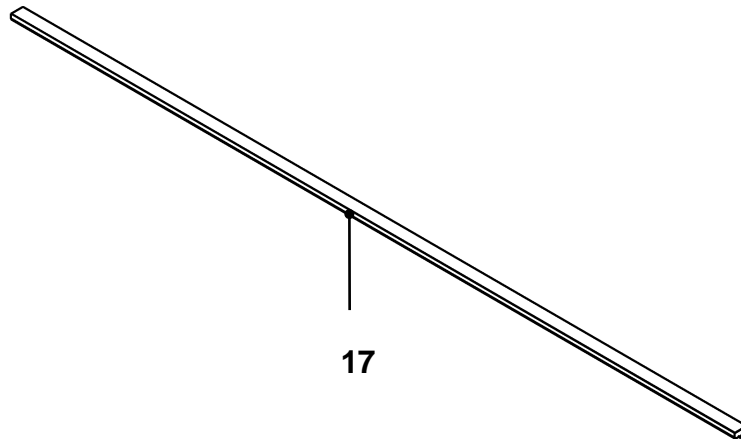


**GAA 26221 M**

REF.NO.	PART OR M.L.	DESCRIPTION	TYPE
1	GAA 453 BZ 1	Combplate w logo	600
2	GAA 453 BZ 2	Combplate w logo	800
3	GAA 453 BZ 3	Combplate w logo	1000
4	GAA 457 JM 1	Floorplate	600
5	GAA 457 JM 2	Floorplate	800
6	GAA 457 JM 3	Floorplate	1000
7	GAA 457 JK 1	Floorplate	600
8	GAA 457 JK 2	Floorplate	800
9	GAA 457 JK 3	Floorplate	1000
10	GAA 457 JL 1	Floorplate	600
11	GAA 457 JL 2	Floorplate	800
12	GAA 457 JL 3	Floorplate	1000
13	GO 2215 T 6	Guide	
14	GAA 102 ADS 2	Plate,logo + (2 blind rivets 3.2x10 - (195107)	
15	GAA 27 BW 1	Lifter	
16	GOA 112 C 1	Filister head screw stainless steel	

**ESCALATOR 513NPE/SR**  
**Floor Plate**

**56-G..26221M**



17

**GAA 26227 S/...T**

<b>REF. No.</b>	<b>PART No. OR M.L.</b>	<b>DESCRIPTION</b>
17	GBA50AGS1	Floorplate isolation strip