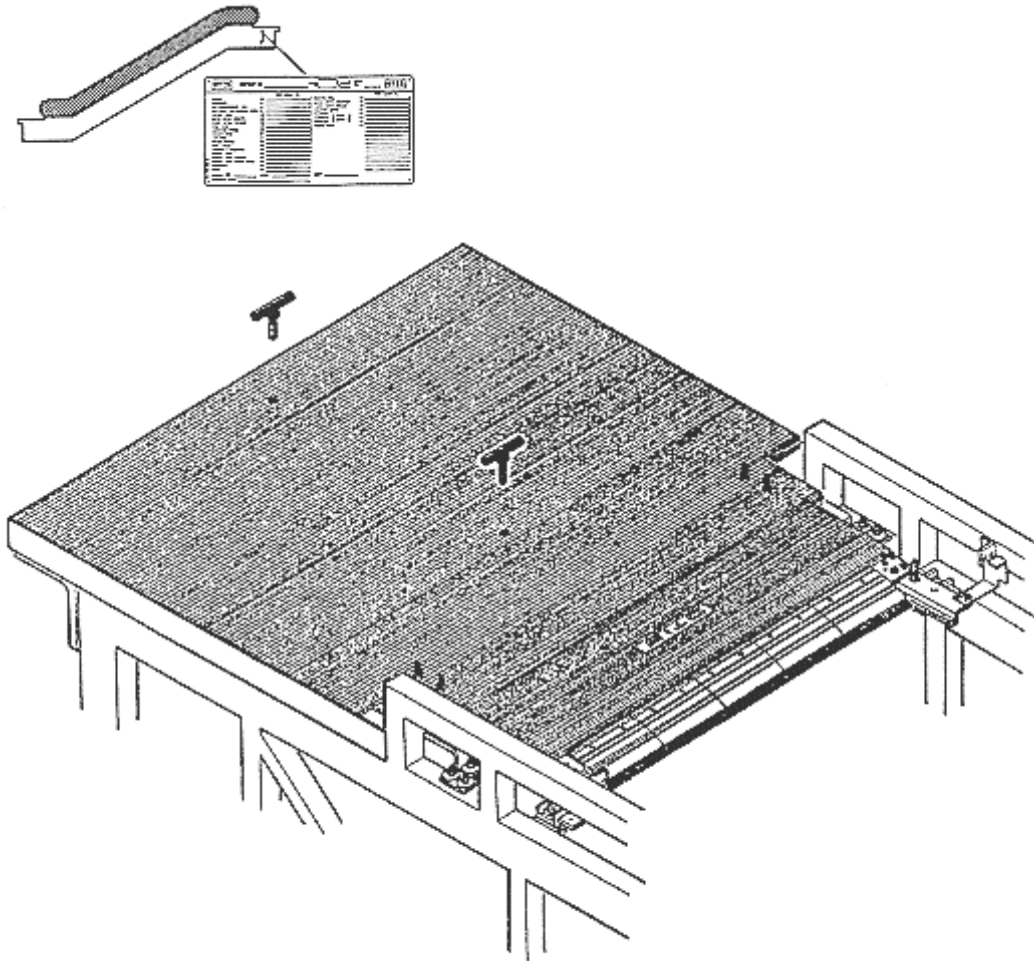


SPL 56-GAA26222A - Escalator 506 Floorplate

Unpublished Work - © Otis Elevator Company. Any unauthorized reproduction, disclosure, or distribution of copies or content by any person of any portion of this work may be a violation of Copyright Law of the United States of America. All rights reserved.

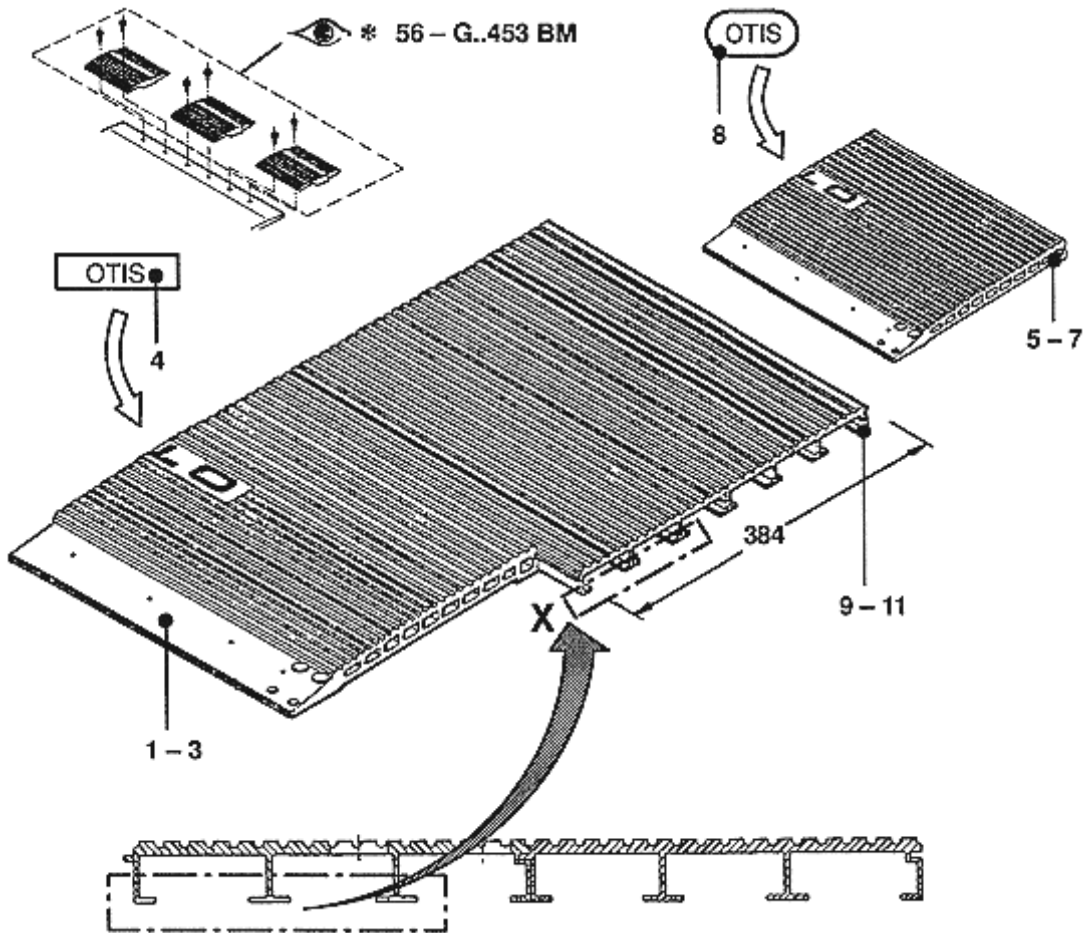
April 1995

Page 1



SPL 56-GAA2622A - Escalator 506 Floorplate

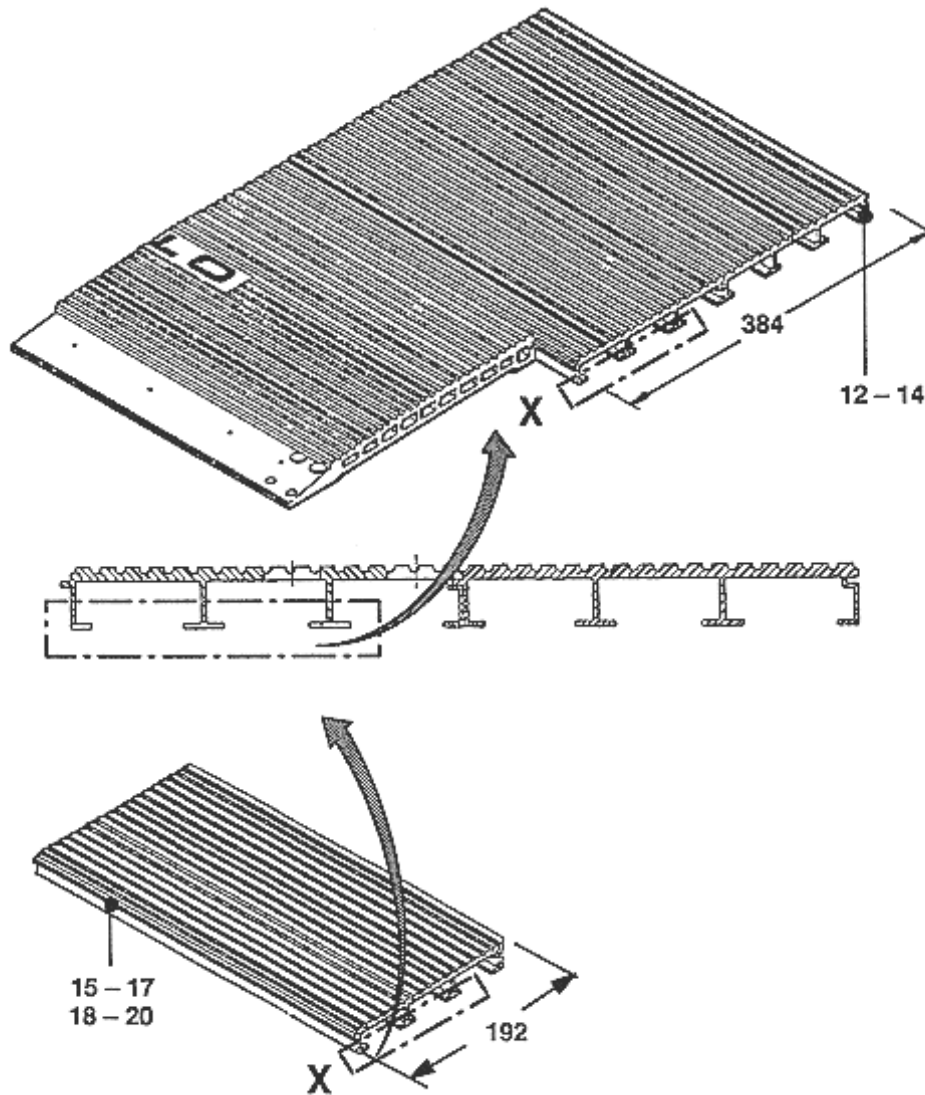
Page 2



GAA 26222 A			
REF.NO.	PART OR ML	DESCRIPTION	TYPE
1	GAA453BG1	Combplate	600
2	GAA453BG2	Combplate	800
3	GAA453BG3	Combplate	1000
4	GO102KJ4	Plate, logo; w 2 blind rivets 3,2 x 10 - 195107	
5	GAA453BW1	Combplate	600
6	GAA453BW2	Combplate	800
7	GAA453BW3	Combplate	1000
8	GAA102ADS2	Plate, logo; w 2 blind rivets 3,2 x 10 - 195107	
9	GBA457GK1		600
	GBA457GK1	Floor plate w "X"	
10	GAA457GK2	w Maintenance room	800
	GBA457GK2	Floorplate LOWER LANDING	
11	GAA457GK3		1000
	GBA457GK3	Floorplate	

SPL 56-GAA2622A - Escalator 506 Floorplate

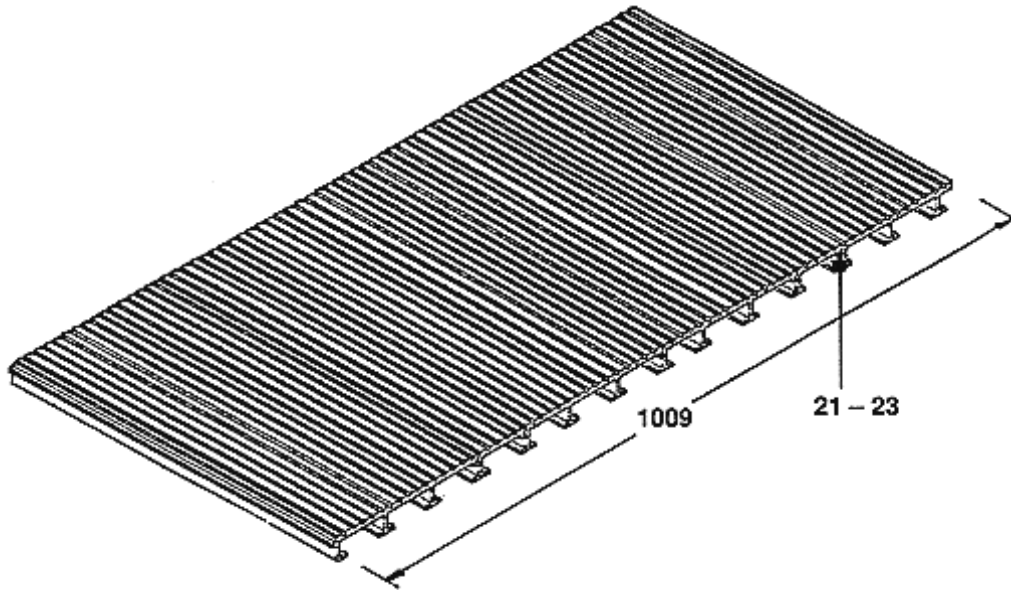
Page 3



GAA 26222 A			
REF.NO.	PART OR ML	DESCRIPTION	TYPE
12	GBA457GK4	Floorplate w/o "X"	600
13	GBA457GK5	Floorplate w Maintenance room	800
14	GBA457GK6	Floorplate UPPER LANDING	1000
15	GBA457GL1	Floorplate w "X"	600
16	GBA457GL2	Floorplate w/o Maintenance room	800
17	GBA457GL3	Floorplate LOWER LANDING	1000
18	GBA457GN1	Floorplate w/o "X"	600
19	GBA457GN2	Floorplate w/o Maintenance room	800
20	GBA457GN3	Floorplate LOWER LANDING	1000

SPL 56-GAA2622A - Escalator 506 Floorplate

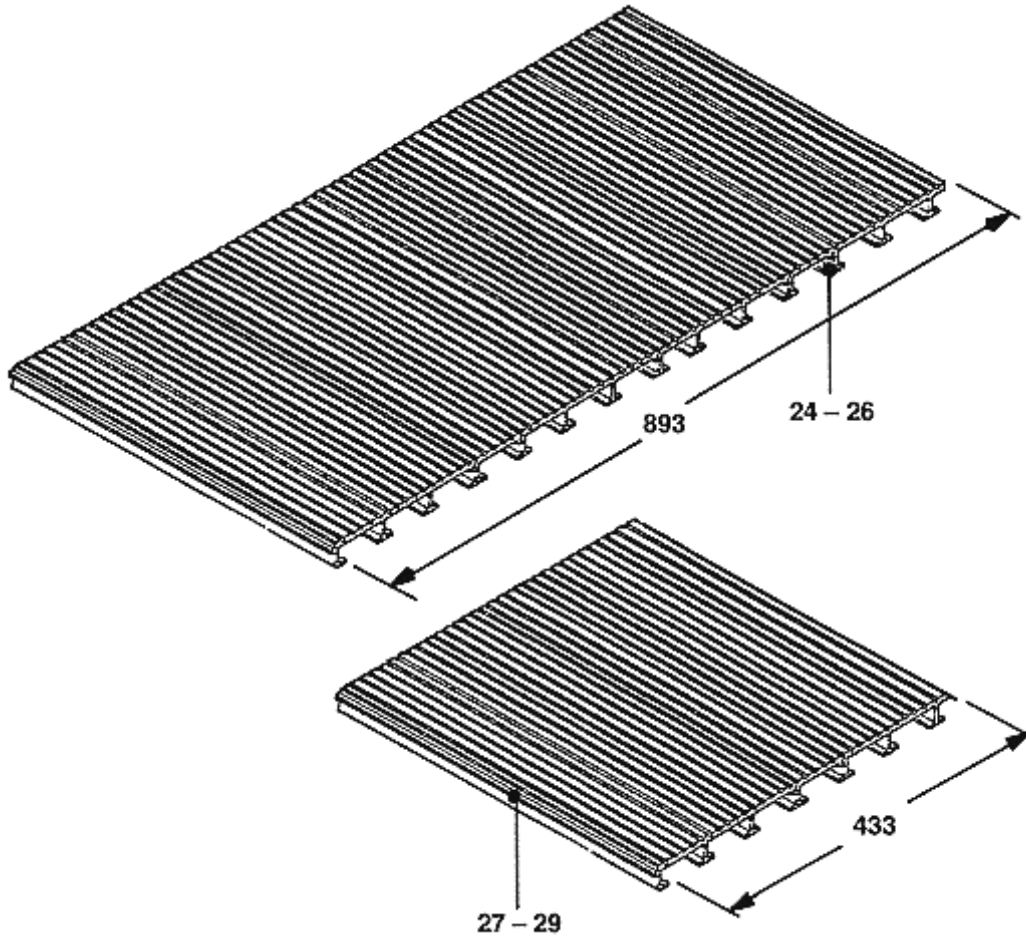
Page 4



GAA 2622 A			
REF.NO.	PART OR ML	DESCRIPTION	TYPE
21	GAA457GY4	Floorplate	600
	GBA457GY1	UPP. & LOW LANDING MECH. CONTACT MAT	
22	GAA457GY2	Floorplate	800
	GBA457GY2		
23	GAA457GY3	Floorplate	1000
	GBA457GY3		

SPL 56-GAA2622A - Escalator 506 Floorplate

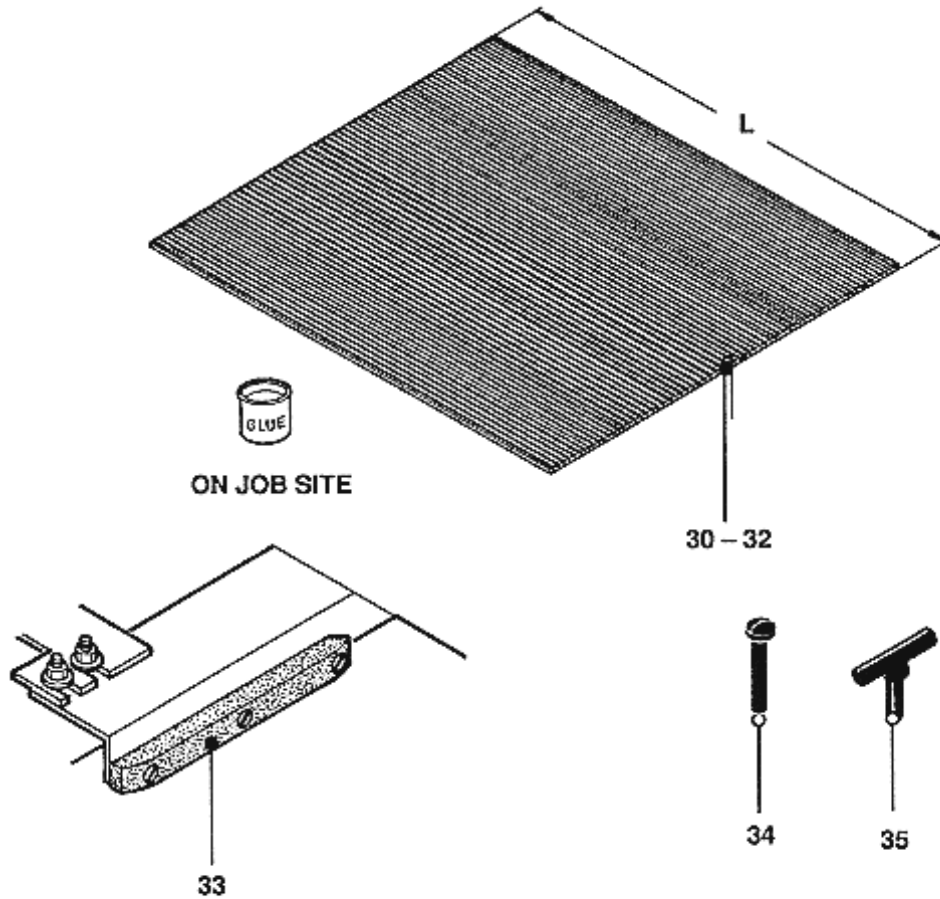
Page 5



GAA 26222 A				
REF.NO.	PART OR ML	DESCRIPTION		TYPE
24	GAA457FS13	Floorplate	w Maintenance room	600
	GBA457FS13		UPP. & LOW. LANDING	
25	GAA45FS14	Floorplate		800
	GBA457FS14			
26	GAA457FS15	Floorplate		1000
	GBA457FS15			
27	GAA457FT1	Floorplate	w/o Maintenance room	600
	GBA457FT1		LOW. LANDING	
28	GAA457FT1	Floorplate		800
	GBA457FT2			
29	GAA457FT3	Floorplate		1000
	GBA457FT3			

SPL 56-GAA26222A - Escalator 506 Floorplate

Page 6



GAA 26222 A			
REF.NO.	PART OR ML	DESCRIPTION	TYPE
30	-----	Rubber coating L = 1200 mm	600
31	-----	Rubber coating L = 1500 mm	800
32	-----	Rubber coating L = 1700 mm	1000
33	GO2215T6	Guide	
34	GOA112C1	Filister head screw stainless steel	
35	GAA27BW1	Floorplate Lifter	