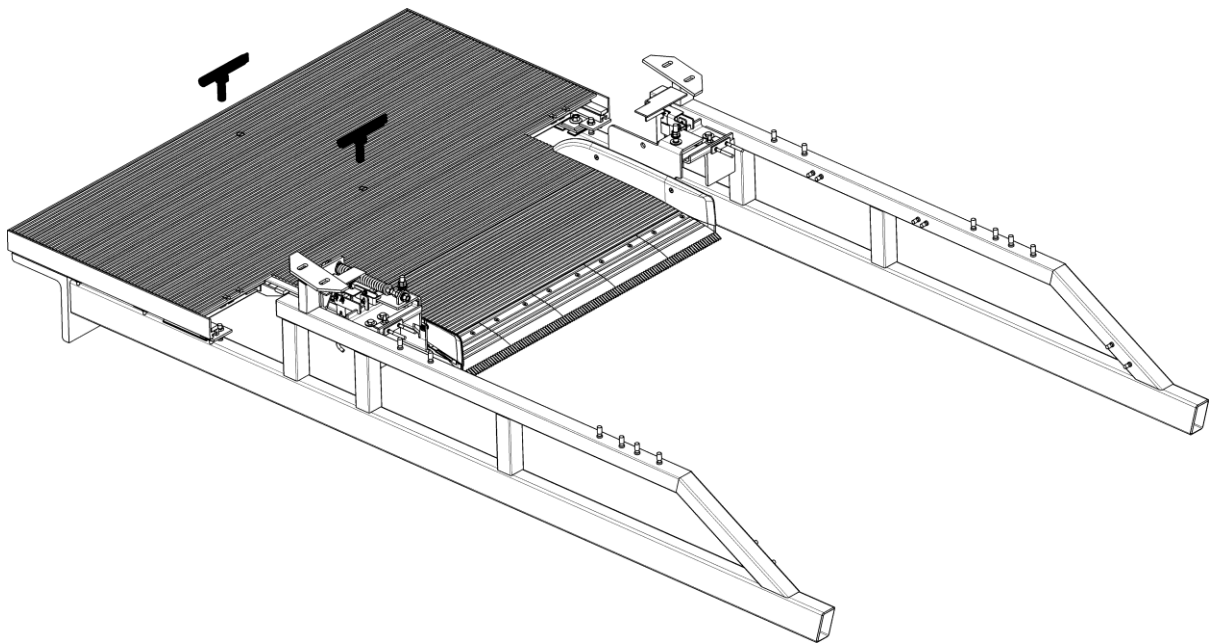


**NEXTSTEP™**  
**Comb and Floor Plate**

**Spare Parts Leaflet**

**56-GAA26222J**

**Dec. 12, 2007 / Page 1 of 11**



Unpublished Work—© Otis Elevator Co.; 2007

**OTIS**

**Safety First!**

**ESCALATOR ENGINEERING**  
**Otis Elevator Company**  
**SIT GUANGZHOU**

**Leaflet Description****NEXTSTEP™** Comb and Floor Plate**Leaflet Revisions**

<b>Date Revised</b>	<b>Subject Matter Expert</b>	<b>Reason for Revision</b>
April 07, 2004	Tian, Ruoming	Release
Dec. 31, 2004	Tian, Ruoming	Corrected a spelling mistake
April 03, 2007	Tian, Ruoming	Updated comb teeth parts on page 3
Dec. 12, 2007	Tian, Ruoming	Part number GAA453DH1 corrected on page 3; Part GOA112C1 & GBA50AGS1 added on page 11; GAA457LN1, 2, 3 changed to GAA457LN4, 5, 6 on page 7. GAA102AYJ & GAA27BW moved to page 11.

**Related Drawings**

<b>Drawing No.</b>	<b>Title</b>	<b>Drawing No.</b>	<b>Title</b>
GAA26222J	Comb and Floor Plate		

**Related Documents**

<b>Document ID</b>	<b>Title</b>
BOM GAA26222J	Comb and Floor Plate

**Subject Matter Expert**

<b>Name</b>	<b>Department</b>
Tian, Ruoming	SIT-GUANGZHOU

**About Spare Parts Leaflets...**

This document lists the lowest replaceable units (LRUs) for the standard version of the product. The LRUs are chosen by a team of Otis associates representing engineering and manufacturing.

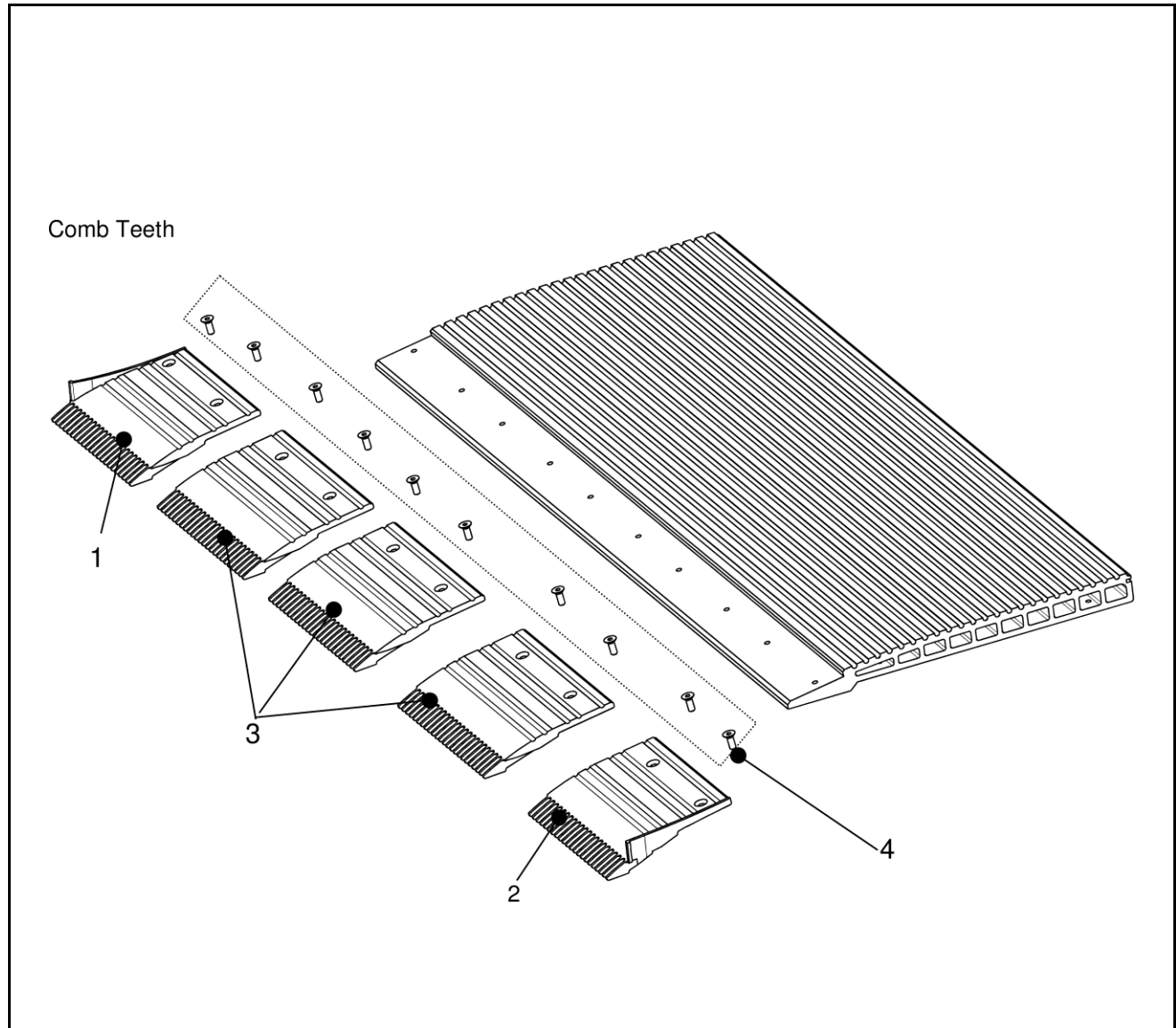
While goal of this document is to make parts identification as easy as possible, the document cannot be all-inclusive. Elevator and escalator contracts classified as “special” or “custom” are not addressed here. For such contracts, please refer to specified information, the contract folder, TIPs, Field Education Articles, Construction Letters, etc. for further information.

If you have any suggestions about this document, please contact the subject matter expert listed on this page.

# NEXTSTEP™

## Comb and Floor Plate

**56-GAA26222J**

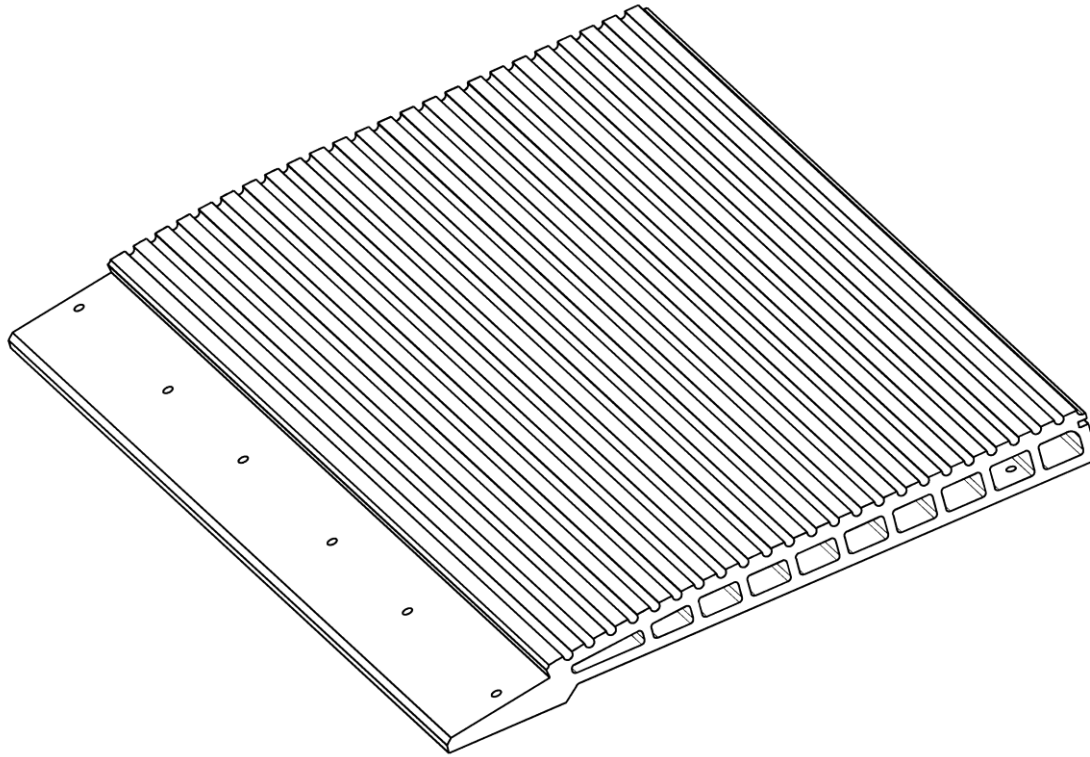


<b>GAA26222J</b>		
<b>REF. No.</b>	<b>PART No.</b>	<b>DESCRIPTION</b>
1	GAA453CV4 GAA453DH1	Comb Teeth, Left Side, Powder Coated, Yellow
2	GAA453CV2 GAA453DH2	Comb Teeth, Right Side, Powder Coated, Yellow
3	GAA453CH4 GAA453DJ1	Comb Teeth, Center; Powder Coated, Yellow
4	DIN7991M6x16_10_9B	Screws

**56-GAA26222J**

**NEXTSTEP™**  
**Comb and Floor Plate**

Comb plate



5-16

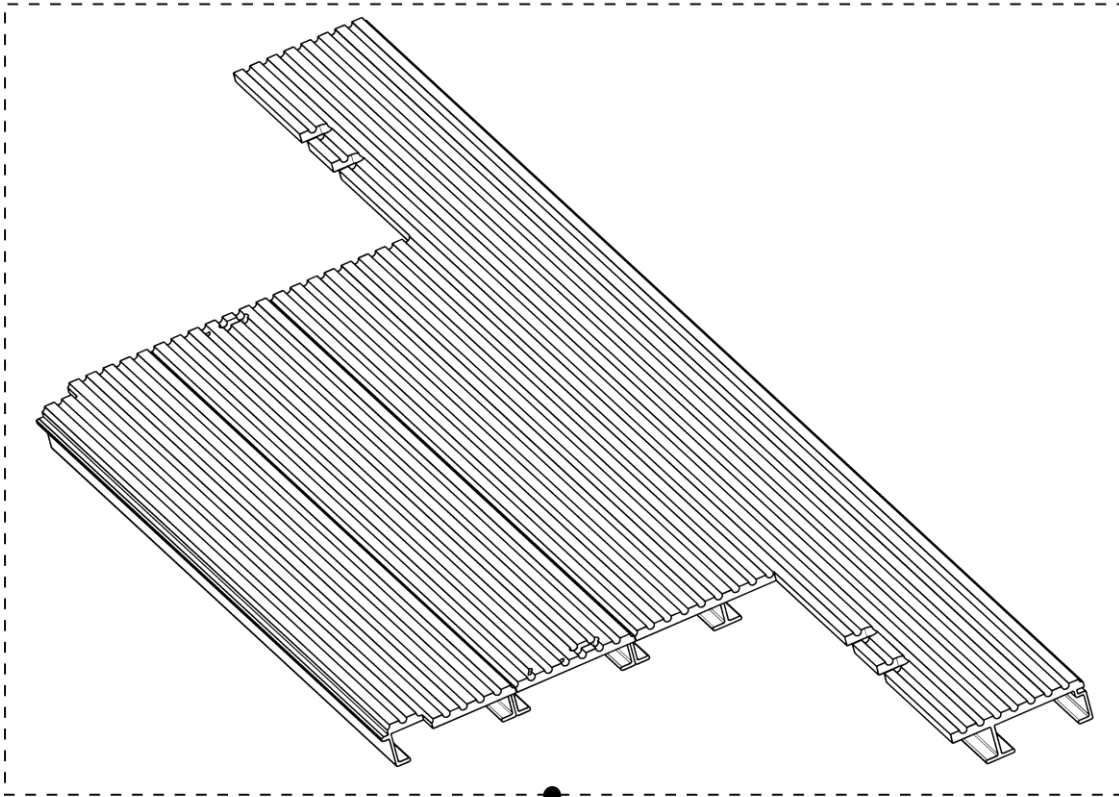
<b>GAA26222J</b>			
<b>REF. No.</b>	<b>PART No.</b>	<b>DESCRIPTION</b>	<b>TYPE</b>
5	GAA453CT1	Comb Plate w/o Surface Finish, w/o Logo-Cut	600
6	GAA453CT2	Comb Plate w/o Surface Finish, w/o Logo-Cut	800
7	GAA453CT3	Comb Plate w/o Surface Finish, w/o Logo-Cut	1000
8	GAA453CT4	Comb Plate with Surface Finish, w/o Logo-Cut	600
9	GAA453CT5	Comb Plate with Surface Finish, w/o Logo-Cut	800
10	GAA453CT6	Comb Plate with Surface Finish, w/o Logo-Cut	1000
11	GAA453CT7	Comb Plate w/o Surface Finish, with Logo-Cut	600
12	GAA453CT8	Comb Plate w/o Surface Finish, with Logo-Cut	800
13	GAA453CT9	Comb Plate w/o Surface Finish, with Logo-Cut	1000
14	GAA453CT10	Comb Plate with Surface Finish, with Logo-Cut	600
15	GAA453CT11	Comb Plate with Surface Finish, with Logo-Cut	800
16	GAA453CT12	Comb Plate with Surface Finish, with Logo-Cut	1000

# NEXTSTEP™

## Comb and Floor Plate

**56-GAA26222J**

Mid-plate



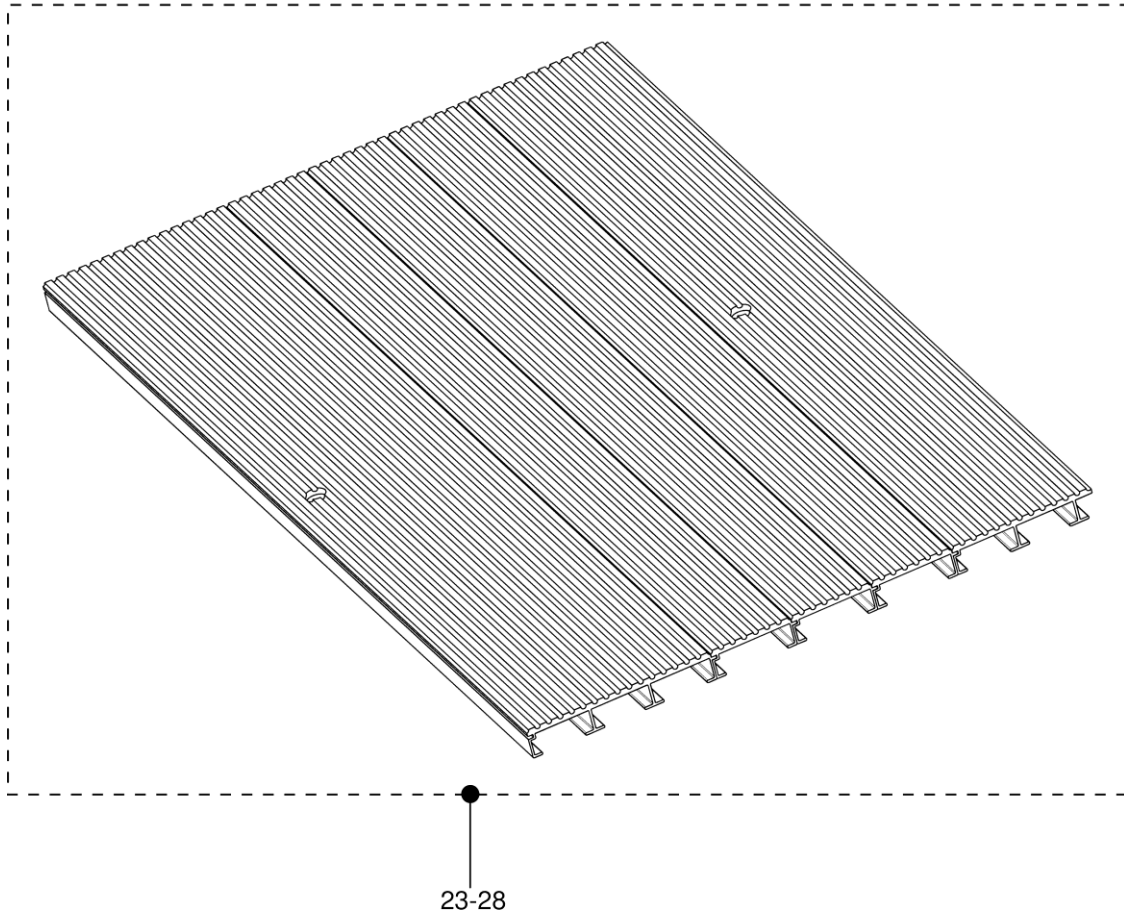
17-22

<b>GAA26222J</b>			
<b>REF. No.</b>	<b>PART No.</b>	<b>DESCRIPTION</b>	<b>TYPE</b>
17	GAA457LG1	Mid-Plate w/o Surface Finish	600
18	GAA457LG2	Mid-Plate w/o Surface Finish	800
19	GAA457LG3	Mid-Plate w/o Surface Finish	1000
20	GAA457LG4	Mid-Plate with Surface Finish	600
21	GAA457LG5	Mid-Plate with Surface Finish	800
22	GAA457LG6	Mid-Plate with Surface Finish	1000

**56-GAA26222J**

**NEXTSTEP™**  
**Comb and Floor Plate**

Floor plate



23-28

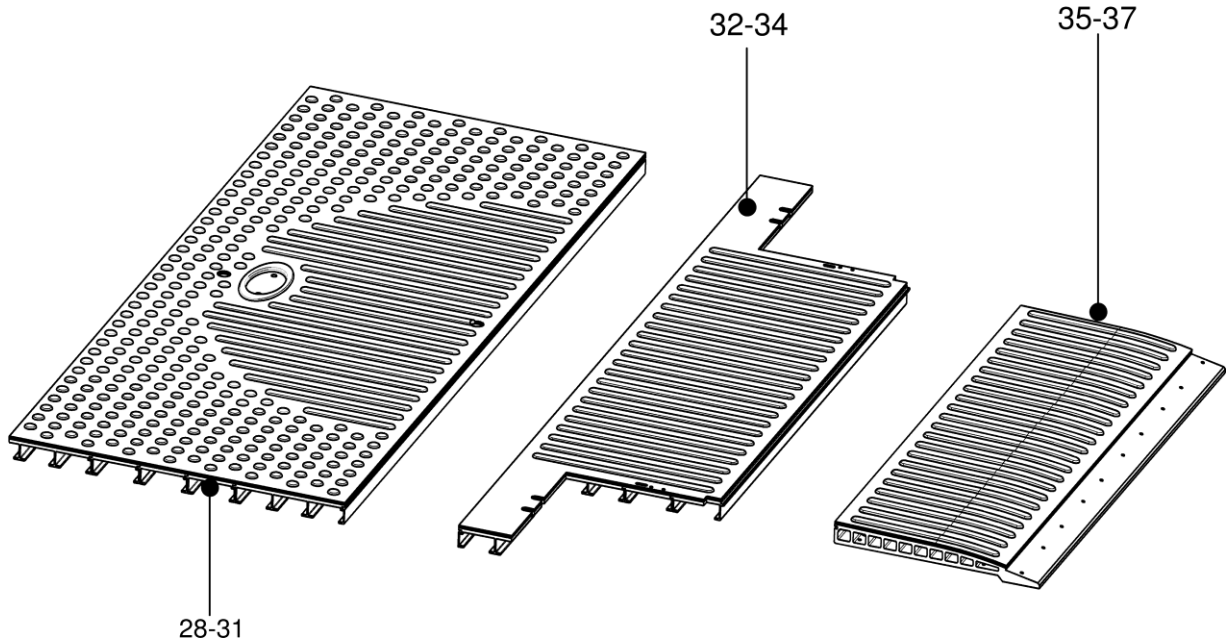
<b>GAA26222J</b>			
<b>REF. No.</b>	<b>PART No.</b>	<b>DESCRIPTION</b>	<b>TYPE</b>
23	GAA457LF1	Floor Plate w/o Surface Finish	600
24	GAA457LF2	Floor Plate w/o Surface Finish	800
25	GAA457LF3	Floor Plate w/o Surface Finish	1000
26	GAA457LF4	Floor Plate with Surface Finish	600
27	GAA457LF5	Floor Plate with Surface Finish	800
28	GAA457LF6	Floor Plate with Surface Finish	1000

# NEXTSTEP™

## Comb and Floor Plate

**56-GAA26222J**

ST. ST. WITH NON SLIP RUBBER

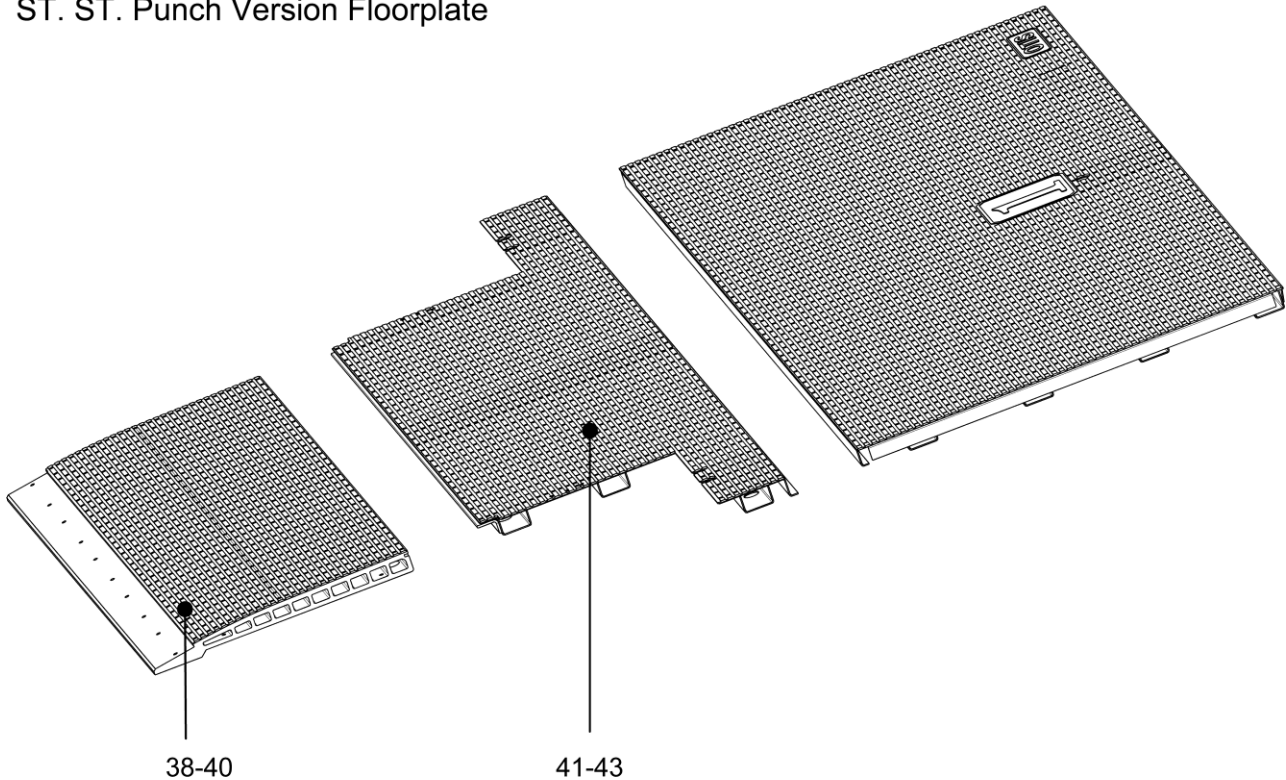


<b>GAA26222J</b>			
<b>REF. No.</b>	<b>PART No.</b>	<b>DESCRIPTION</b>	<b>TYPE</b>
29	GAA457LJ1	Floor Plate with LOGO, ST. ST. Rubber Inlay	600
30	GAA457LJ2	Floor Plate with LOGO, ST. ST. Rubber Inlay	800
31	GAA457LJ3	Floor Plate with LOGO, ST. ST. Rubber Inlay	1000
32	GAA457LN4	Mid-Plate ST. ST. Rubber Inlay	600
33	GAA457LN5	Mid-Plate ST. ST. Rubber Inlay	800
34	GAA457LN6	Mid-Plate ST. ST. Rubber Inlay	1000
35	GAA453CX1	Comb Plate ST. ST. Rubber Inlay	600
36	GAA453CX2	Comb Plate ST. ST. Rubber Inlay	800
37	GAA453CX3	Comb Plate ST. ST. Rubber Inlay	1000

**56-GAA26222J**

# NEXTSTEP™ Comb and Floor Plate

ST. ST. Punch Version Floorplate



<b>GAA457MJ</b>			
<b>REF. No.</b>	<b>PART No.</b>	<b>DESCRIPTION</b>	<b>TYPE</b>
38	GAA453DE1	Comb Plate	600
39	GAA453DE2	Comb Plate	800
40	GAA453DE3	Comb Plate	1000
41	GAA457MF1	Mid-Plate	600
42	GAA457MF2	Mid-Plate	800
43	GAA457MF3	Mid-Plate	1000

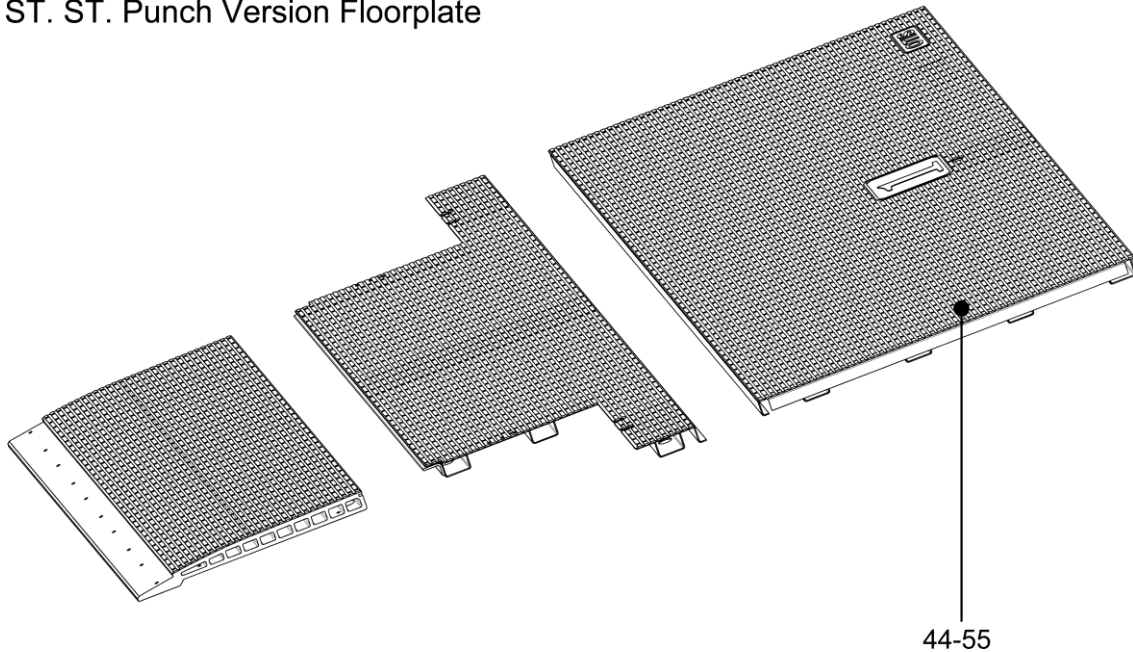


# NEXTSTEP™

## Comb and Floor Plate

**56-GAA26222J**

ST. ST. Punch Version Floorplate

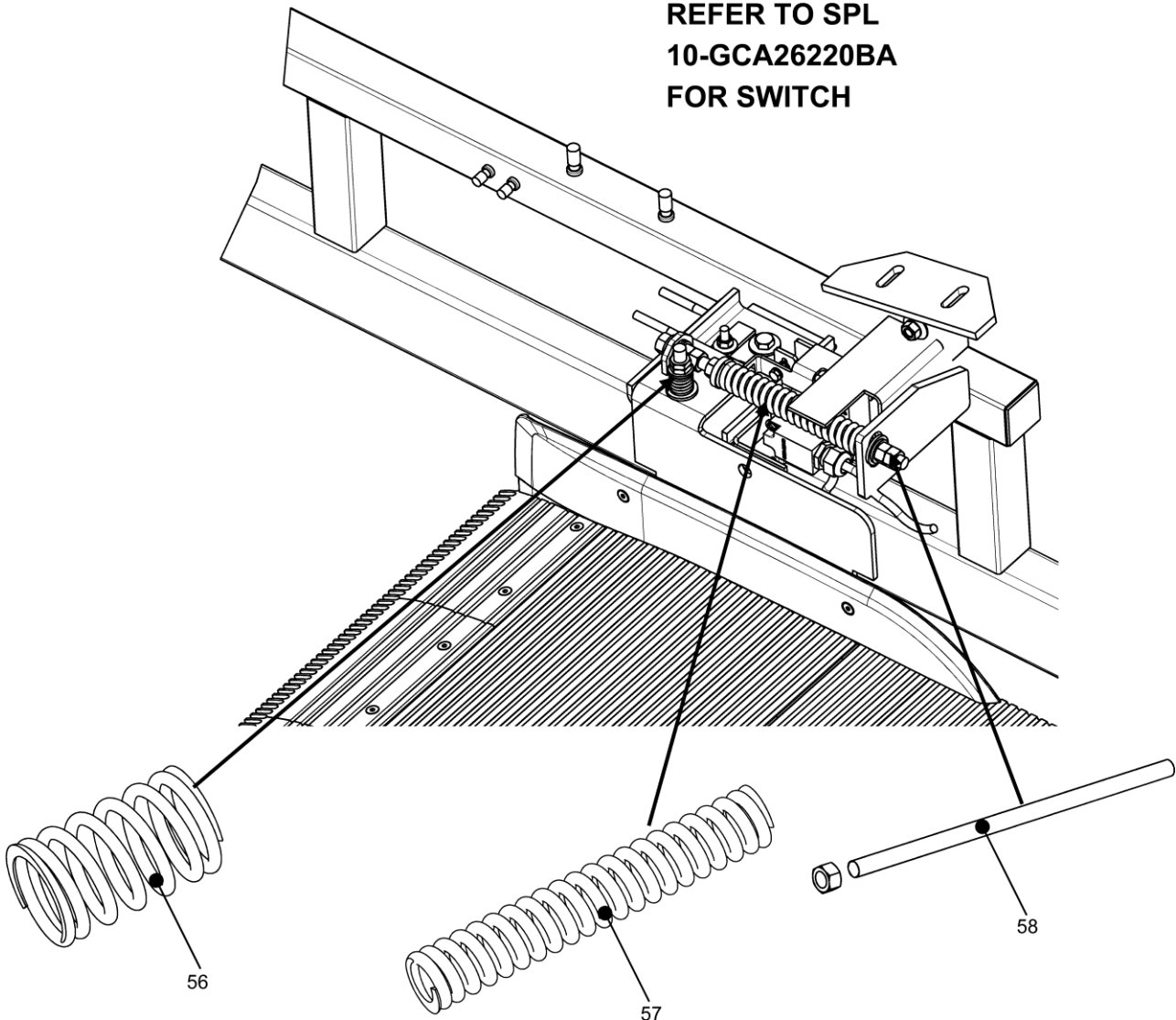


<b>GAA457MJ</b>			
<b>REF. No.</b>	<b>PART No.</b>	<b>DESCRIPTION</b>	<b>TYPE</b>
44	GAA457MA1	Floor Plate, Only with OTIS Logo	600
45	GAA457MA2	Floor Plate, Only with OTIS Logo	800
46	GAA457MA3	Floor Plate, Only with OTIS Logo	1000
47	GAA457MA4	Floor Plate, without OTIS Logo & Floor Mark	600
48	GAA457MA5	Floor Plate, without OTIS Logo & Floor Mark	800
49	GAA457MA6	Floor Plate, without OTIS Logo & Floor Mark	1000
50	GAA457MA7	Floor Plate, with OTIS Logo & Floor Mark	600
51	GAA457MA8	Floor Plate, with OTIS Logo & Floor Mark	800
52	GAA457MA9	Floor Plate, with OTIS Logo & Floor Mark	1000
53	GAA457MA10	Floor Plate, Only with Floor Mark	600
54	GAA457MA11	Floor Plate, Only with Floor Mark	800
55	GAA457MA12	Floor Plate, Only with Floor Mark	1000

**56-GAA26222J**

# NEXTSTEP™ Comb and Floor Plate

REFER TO SPL  
10-GCA26220BA  
FOR SWITCH

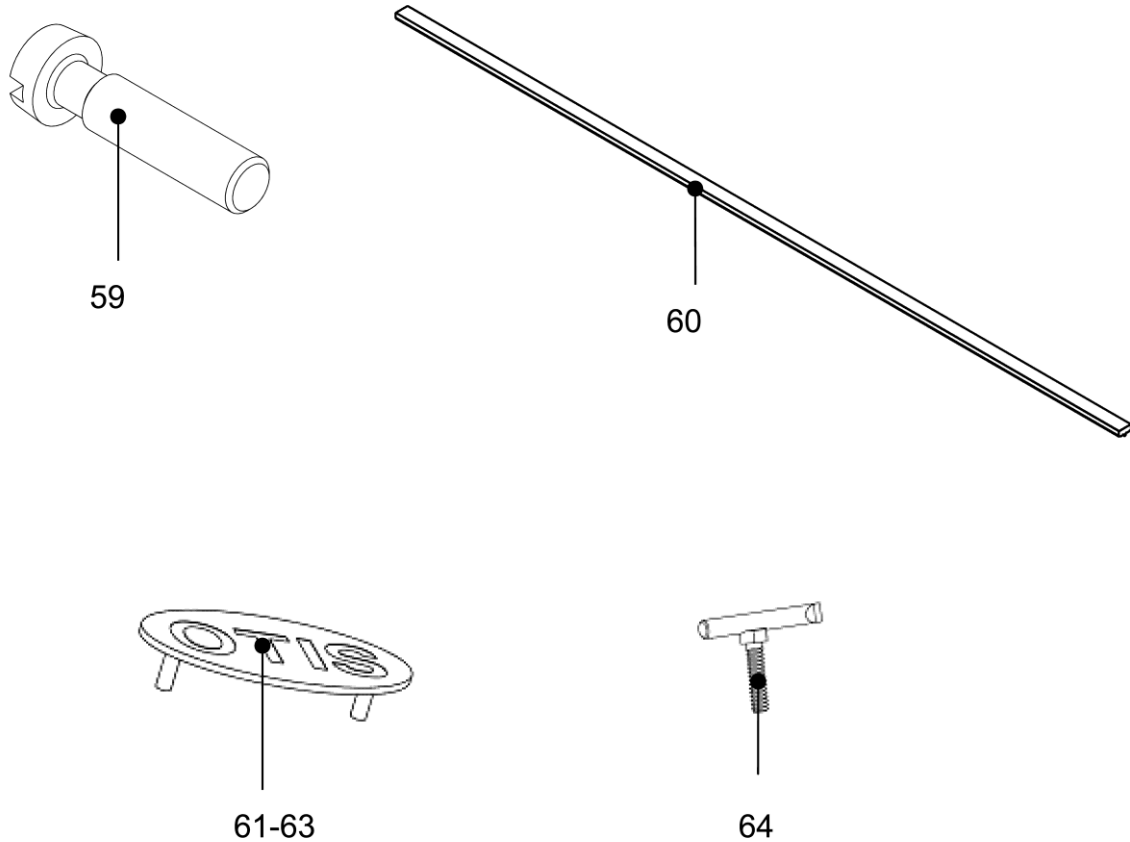


GAA26222J		
REF. No.	PART No.	DESCRIPTION
56	GAA90CB2	Spring (short)
57	GAA90CB1	Spring (long)
58	GAA124BL1	Screw

# NEXTSTEP™

## Comb and Floor Plate

**56-GAA26222J**



<b>GAA26222J</b>		
<b>REF. No.</b>	<b>PART No.</b>	<b>DESCRIPTION</b>
59	GOA112C1	Floorplate Screw
60	GBA50AGS1	Floorplate Isolation Strip
61	GAA102AYJ1	OTIS LOGO
62	GAA102AYJ2	BLANK
63	GAA102AYJ3	FLOOR MARK
64	GAA27BW1	Floorplate Lifting Device