

ESCALATOR 506NCE

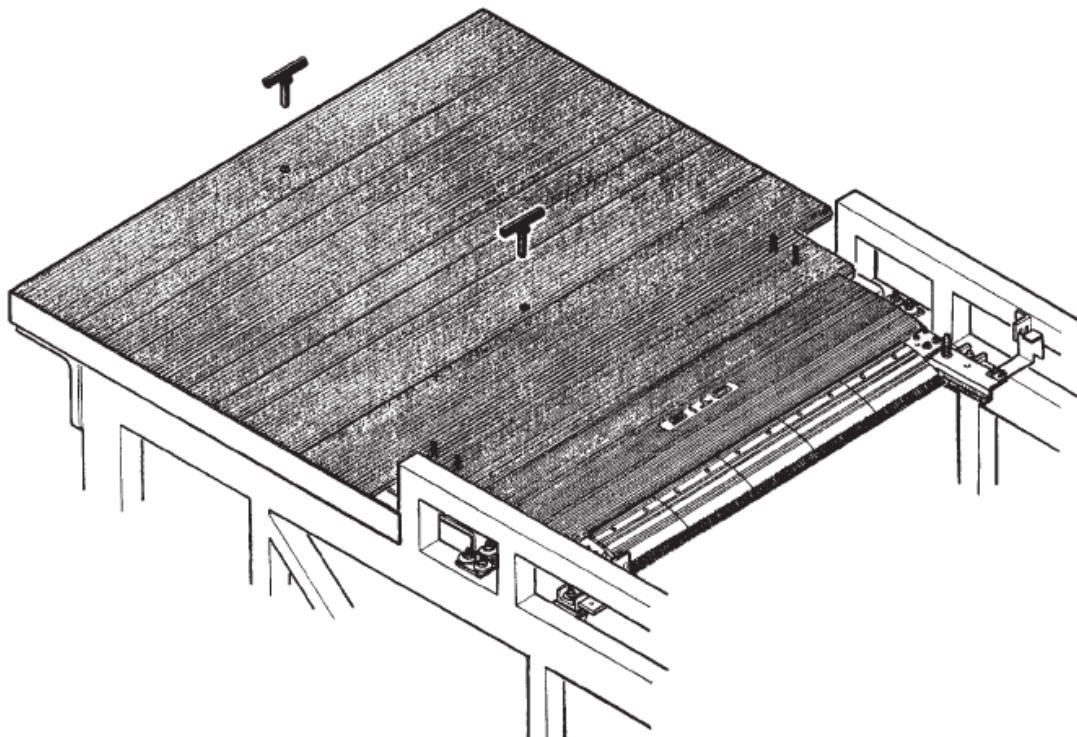
Floor Plate

Spare Parts Leaflet

56-G..26227T

56-G..26227S

May 30, 2010 Page 1 of 8



Unpublished Work—©Otis Elevator Co.

OTIS

Safety First!

ESCALATOR ENGINEERING
Otis Elevator Company
SIT GUANGZHOU

56-G..26227T

56-G..26227S

History

Leaflet Description

ESCALATOR 506NCE FLOOR PLATE

Leaflet Revisions

| Date Revised | Subject Matter Expert | Reason for Revision |
|--------------|-----------------------|--------------------------|
| July 2000 | | Original document |
| May 30, 2010 | Chen Jianhua | Add GBA50AGS1 on page 8. |

Related Drawings

| Drawing No. | Title | Drawing No. | Title |
|-------------|-------------|-------------|-------|
| GAA26227S | Floor Plate | | |
| | | | |

Related Documents

| Document ID | Title |
|-------------|-------|
| | |
| | |

Subject Matter Expert

| Name | Department |
|--------------|---------------|
| Chen Jianhua | SIT-GUANGZHOU |

About Spare Parts Leaflets

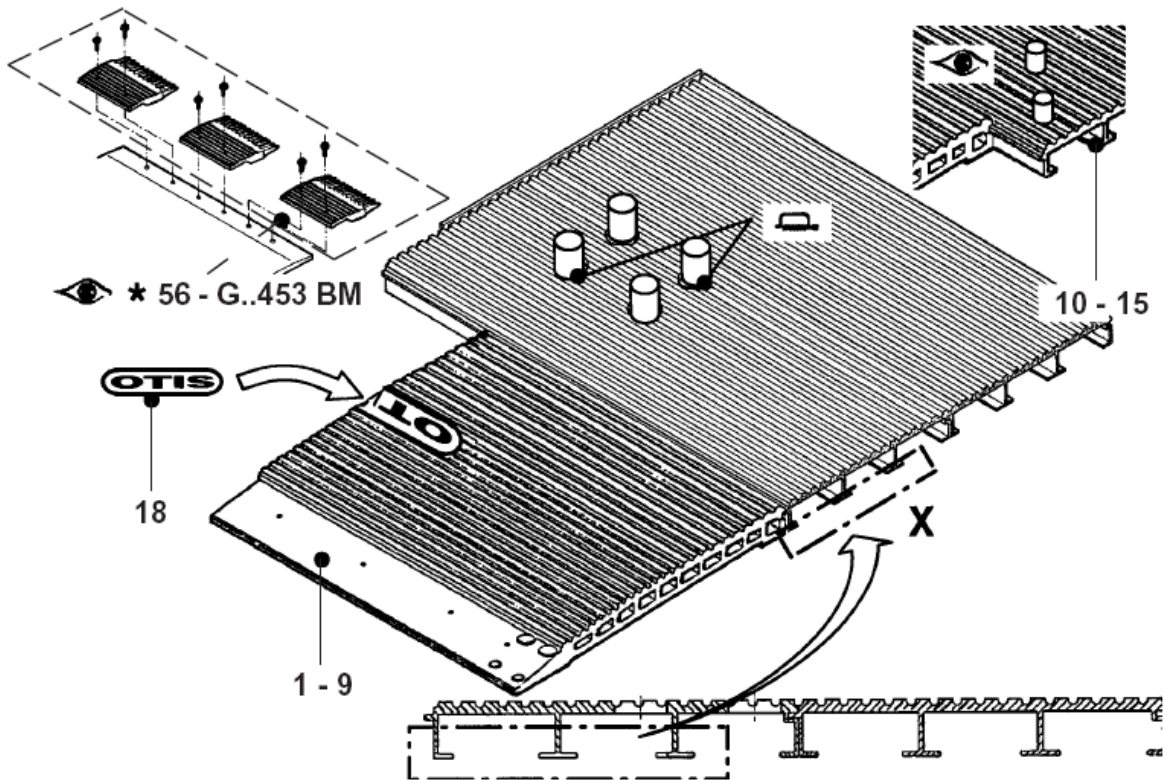
This document lists the lowest replaceable units (LRUs) for the standard version of the product. The LRUs are chosen by a team of Otis associates representing engineering and manufacturing.

While goal of this document is to make parts identification as easy as possible, the document cannot be all-inclusive. Elevator and escalator contracts classified as "special" or "custom" are not addressed here. For such contracts, please refer to specified information, the contract folder, TIPs, Field Education Articles, Construction Letters, etc. for further information.

If you have any suggestions about this document, please contact the subject matter expert listed on this page.

56-G..26227S

ESCALATOR 506NCE
Floor Plate

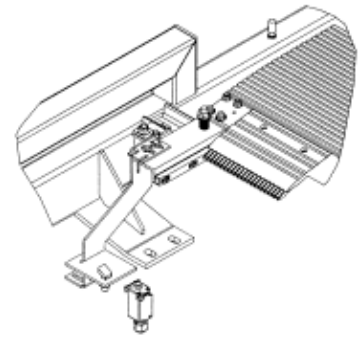
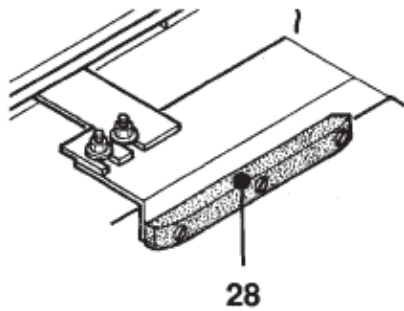


| GAA 26227 S /...T | | | |
|-------------------|---------------|-------------------------------------|-------------------------|
| REF.NO. | PART OR M.L. | DESCRIPTION | TYPE |
| 1 | GAA 453 BW 1 | | |
| 2 | GAA 453 BZ 1 | Combplate (w logo,w 2 blind rivets) | 600 |
| 3 | GAA 453 BW 2 | | |
| 4 | GAA 453 BZ 2 | Combplate (w logo,w 2 blind rivets) | 800 |
| 5 | GAA 453 BW 3 | | |
| 6 | GAA 453 BZ 3 | Combplate (w logo,w 2 blind rivets) | 1000 |
| 7 | GAA 453 BW 4 | Combplate w/o logo | 600 |
| 8 | GAA 453 BW 5 | Combplate w/o logo | 800 |
| 9 | GAA 453 BW 6 | Combplate w/o logo | 1000 |
| 10 | GBA 457 HG 1 | Middle Plate | 600 |
| 11 | GAA 457 HG 2 | Middle Plate | EN 115 & SAA w/o „X„ |
| | GBA 457 HG 2 | | |
| 12 | GAA 457 HG 3 | Middle Plate | 1000 |
| | GBA 457 HG 3 | | |
| 13 | GAA 457 HG 4 | Middle Plate | EN 115 & SAA w „X„ |
| | GBA 457 HG 4 | | |
| 14 | GAA 457 HG 5 | Middle Plate | 800 |
| | GBA 457 HG 5 | | |
| 15 | GAA 457 HG 6 | Middle Plate | ASME A 17.1 No + No |
| | GBA 457 HG 6 | | |
| 16 | GAA 102 ADS 2 | Plate logo;+ 2blind rivets - 195107 | |

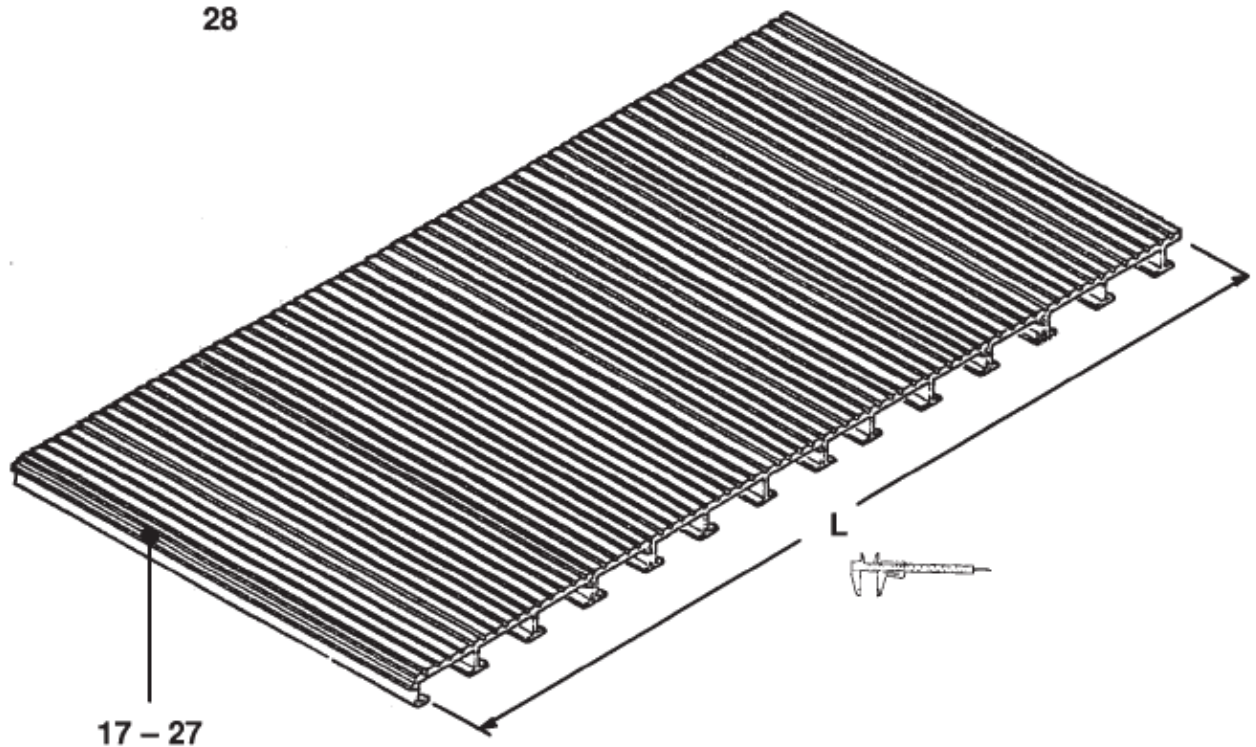
ESCALATOR 506NCE

Floor Plate

56-G..26227S



50-GO 177 AG

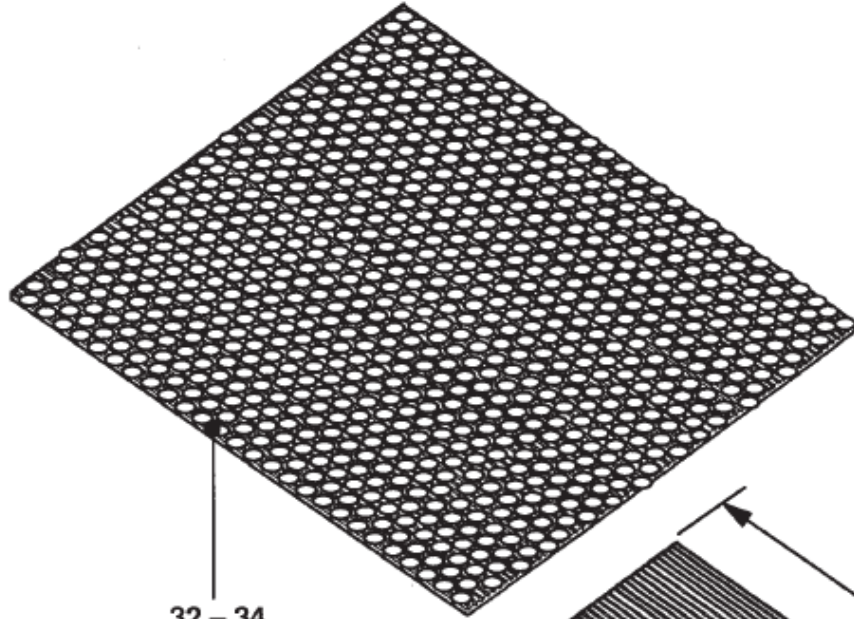


GAA 26227 S /...T

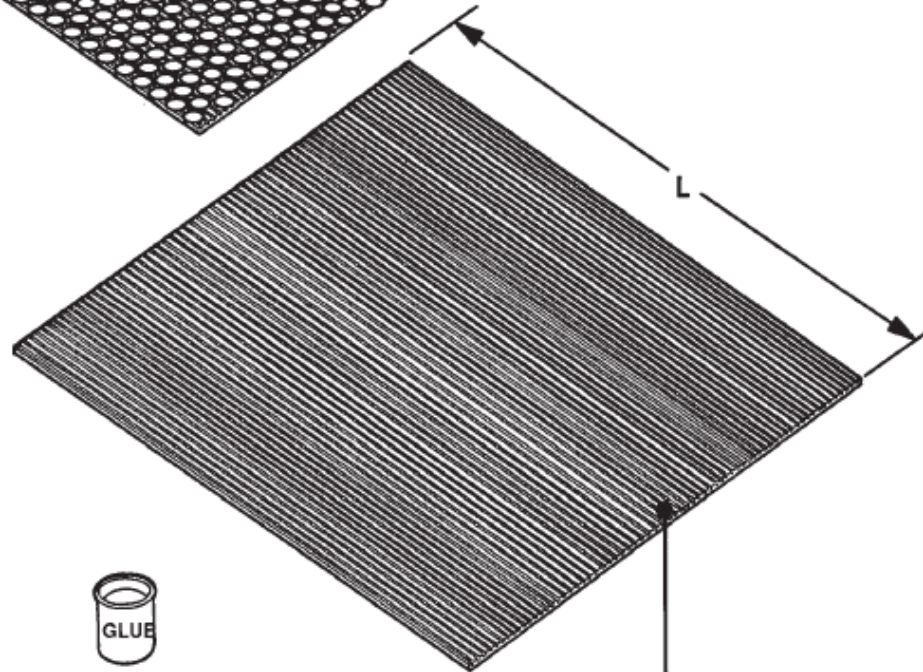
| REF.NO. | PART OR M.L. | DESCRIPTION | TYPE |
|---------|--------------|-------------------------------------|------|
| 17 | GAA 457 KD 2 | Floorplate L = 1393 mm | 600 |
| 18 | GAA 457 HD 5 | Floorplate | 600 |
| 19 | GAA 457 HD 6 | Floorplate EN 115 & SAA L = 893 mm | 800 |
| 20 | GAA 457 HD 7 | Floorplate | 1000 |
| 21 | GAA 457 KD 2 | Floorplate L = 1393 mm | 600 |
| 22 | GAA 457 HP 5 | Floorplate contact mat | 600 |
| 23 | GAA 457 HP 6 | Floorplate EN 115 & SAA L = 1009 mm | 800 |
| 24 | GAA 457 HP 7 | Floorplate | 1000 |
| 25 | GAA 457 JE 5 | Floorplate | 600 |
| 26 | GAA 457 JE 6 | Floorplate ASME A17.1 L = 957 mm | 800 |
| 27 | GAA 457 JE 7 | Floorplate | 1000 |
| 28 | GO 2215 T 6 | Guide | |

56-G..26227S

ESCALATOR 506NCE
Floor Plate



32 - 34



ON JOB SITE

29 - 31

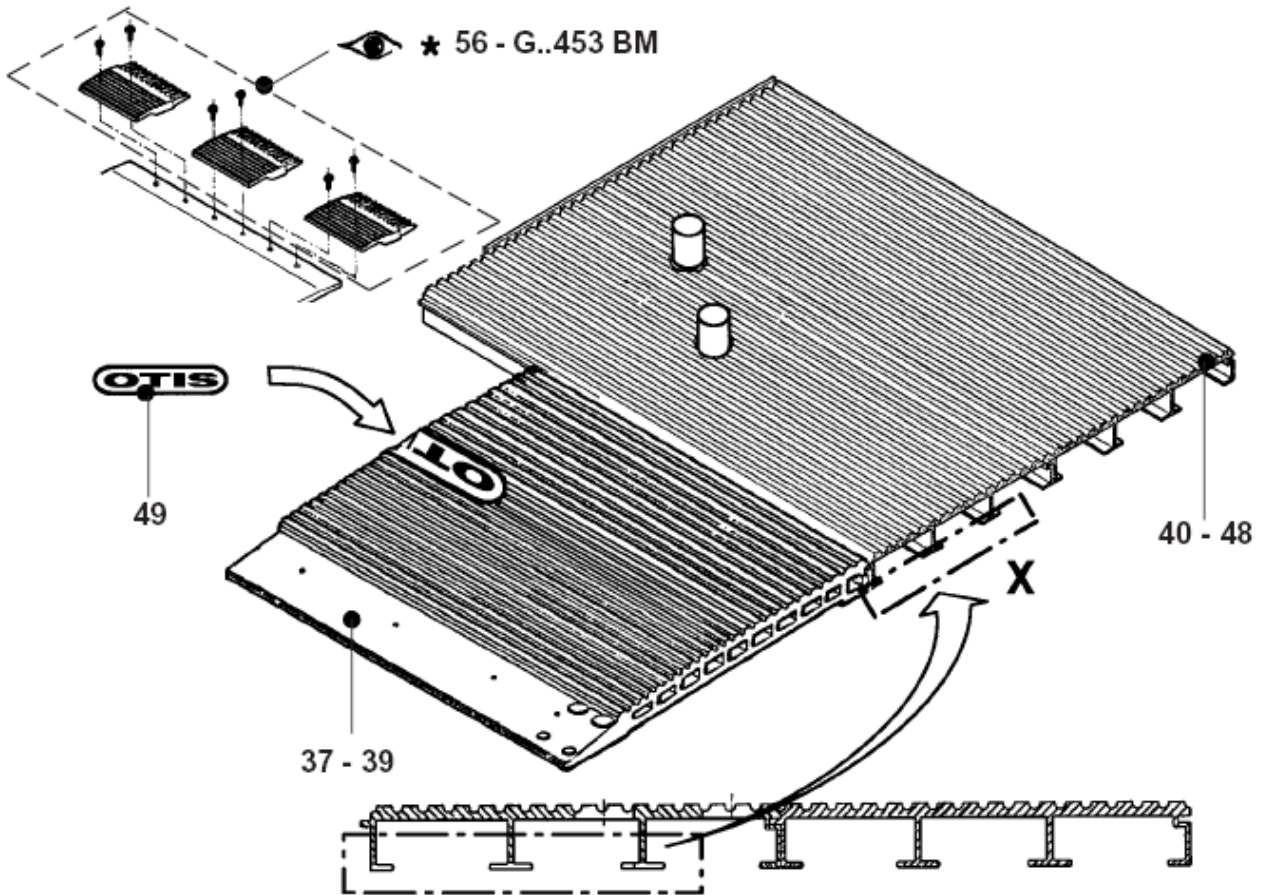
GAA 26227 S /...T

| REF.NO. | PART OR M.L. | DESCRIPTION | TYPE |
|---------|--------------|-------------------------------------|------|
| 29 | — | Rubber Coating L = 1150 mm | 600 |
| 30 | — | Rubber Coating L = 1350 mm | 800 |
| 31 | — | Rubber Coating L = 1550 mm | 1000 |
| 32 | — | Rubber Coating L = 1150 mm | 600 |
| 33 | — | Rubber Coating L = 1350 mm | 800 |
| 34 | — | Rubber Coating L = 1550 mm | 1000 |
| 35 | GOA 112 C 1 | Filister head screw stainless steel | |
| 36 | GAA 27 BW 1 | Lifter | |

ESCALATOR 506NCE

Floor Plate

56-G..26227S



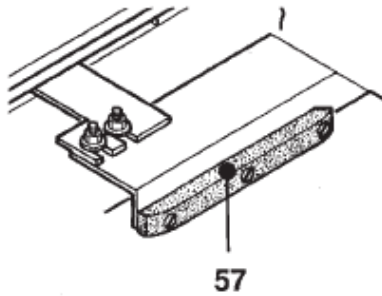
GAA 26227 S /...T

| REF.NO. | PART OR M.L. | DESCRIPTION | TYPE |
|---------|---------------|--|------|
| 37 | GAA 453 BZ 4 | Combplate (w logo,w 2 blind rivets) | 600 |
| 38 | GAA 453 BZ 5 | Combplate (w logo,w 2 blind rivets) | 800 |
| 39 | GAA 453 BZ 6 | Combplate (w logo,w 2 blind rivets) | 1000 |
| 40 | GBA 457 HG 10 | Middle Plate | 600 |
| 41 | GBA 457 HG 11 | Middle Plate | 800 |
| 42 | GBA 457 HG 12 | Middle Plate | 1000 |
| 43 | GBA 457 HG 7 | Middle Plate | 600 |
| 44 | GBA 457 HG 8 | Middle Plate | 800 |
| 45 | GBA 457 HG 9 | Middle Plate | 1000 |
| 46 | GBA 457 HG 10 | Middle Plate | 600 |
| 47 | GBA 457 HG 11 | Middle Plate | 800 |
| 48 | GBA 457 HG 12 | Middle Plate | 1000 |
| 49 | GAA 102 ADS 2 | Plate logo;+ 2 blind rivets - (195107) | |
| | GAA 102 ADS 3 | | |

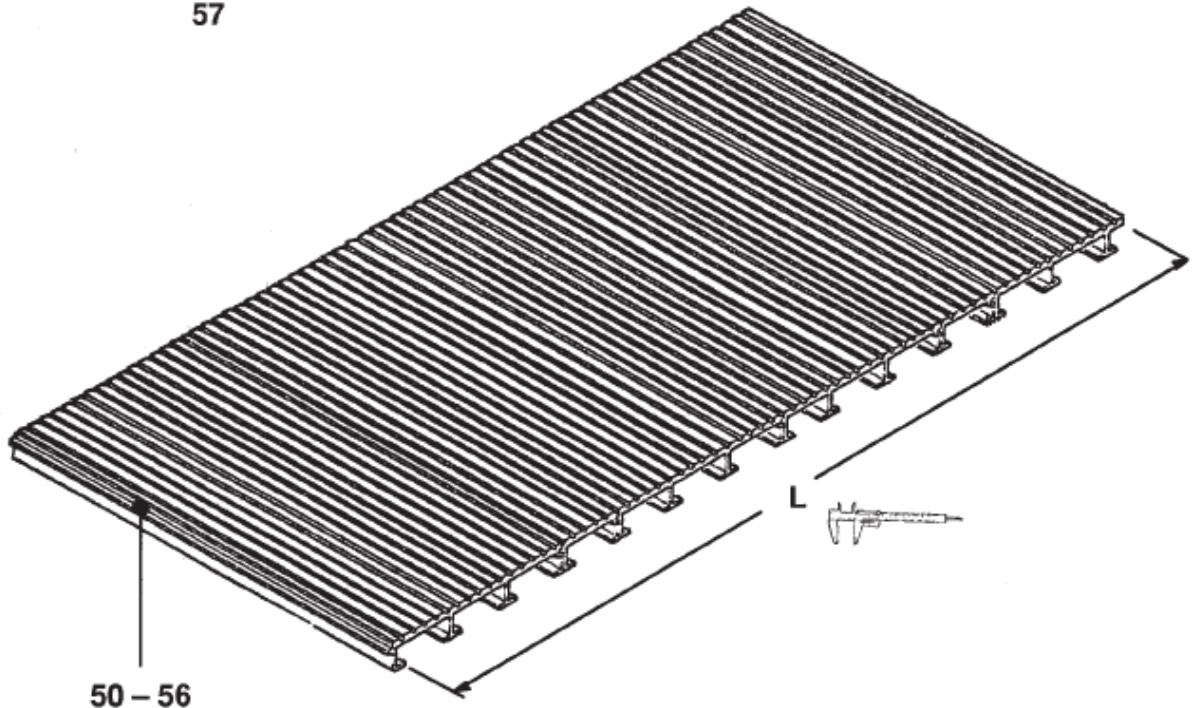
56-G..26227S

ESCALATOR 506NCE

Floor Plate



57

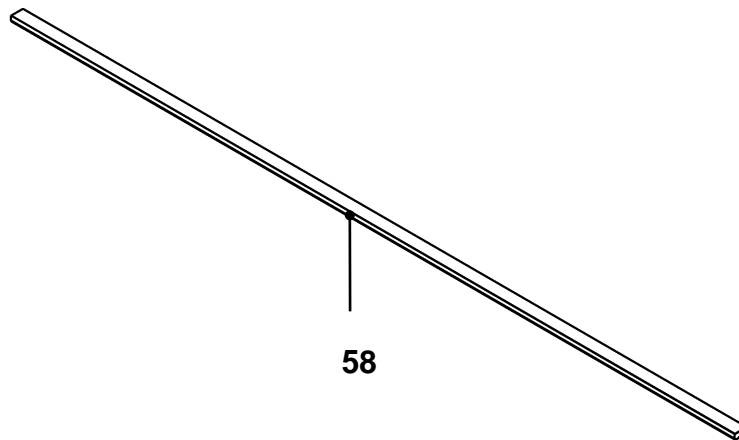


50 - 56

| GAA 26227 S /...T | | | |
|--------------------------|---------------------|---|-------------|
| REF.NO. | PART OR M.L. | DESCRIPTION | TYPE |
| 50 | GAA 457 KD 3 | Floorplate L = 1393 mm | 600 |
| 51 | GAA 457 HD 16 | Floorplate | 600 |
| 52 | GAA 457 HD 17 | Floorplate EN 115 & SAA L = 893 mm | 800 |
| 53 | GAA 457 HD 18 | Floorplate | 1000 |
| 54 | GAA 457 JE 16 | Floorplate | 600 |
| 55 | GAA 457 JE 17 | Floorplate ASME A17.1 L = 957 mm | 800 |
| 56 | GAA 457 JE 18 | Floorplate | 1000 |
| 57 | GO 2215 T 6 | Guide | |

ESCALATOR 506NCE
Floor Plate

56-G..26227S



| REF. No. | PART No. OR M.L. | DESCRIPTION |
|----------|-------------------------------|----------------------------|
| 58 | GAA 26227 S/...T GBA50AGS1 | Floorplate isolation strip |