



**Leaflet Description**

Trav-O-Lator® 606 NCT Floor Plate

**Leaflet Revisions**

<b>Date Revised</b>	<b>Subject Matter Expert</b>	<b>Reason for Revision</b>
January 1998		Original document
May 30, 2010	Chen Jianhua	Add GBA50AGS1 on page 6.

**Related Drawings**

<b>Drawing No.</b>	<b>Title</b>	<b>Drawing No.</b>	<b>Title</b>
G..26421A	Floor Plate		

**Related Documents**

<b>Document ID</b>	<b>Title</b>

**Subject Matter Expert**

<b>Name</b>	<b>Department</b>
Chen Jianhua	SIT-GUANGZHOU

**About Spare Parts Leaflets**

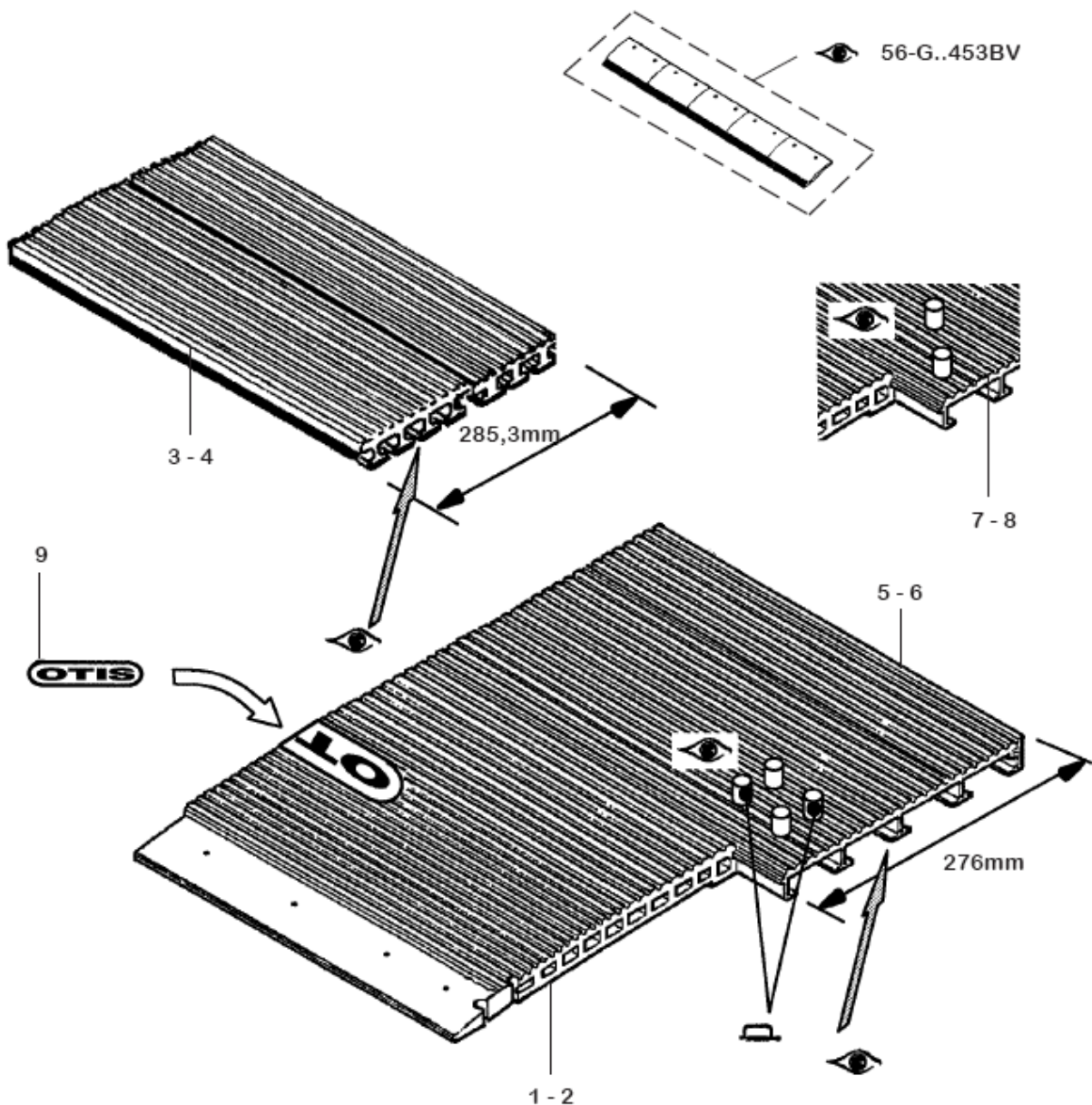
This document lists the lowest replaceable units (LRUs) for the standard version of the product. The LRUs are chosen by a team of Otis associates representing engineering and manufacturing.

While goal of this document is to make parts identification as easy as possible, the document cannot be all-inclusive. Elevator and escalator contracts classified as "special" or "custom" are not addressed here. For such contracts, please refer to specified information, the contract folder, TIPs, Field Education Articles, Construction Letters, etc. for further information.

If you have any suggestions about this document, please contact the subject matter expert listed on this page.

**56-G..26421A**

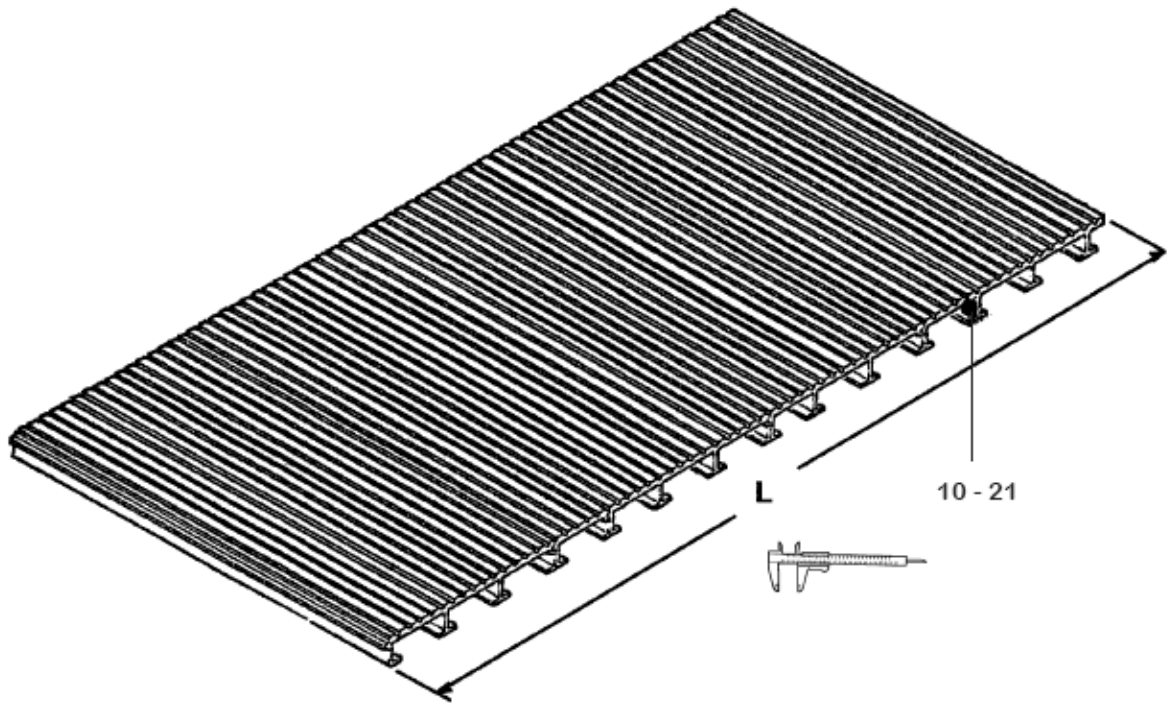
**Trav-O-Lator® 606 NCT  
Floor Plate**



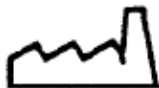
REF.NO.	PART OR M.L.	DESCRIPTION
	<b>GAA26421A/...B</b>	
1	GAA457BY3	Combplate w/ logo Type 1000
2	GAA457BY4	Combplate w/ logo Type 800
3	GAA457HY1	Middle plate Type 1000
4	GAA457HY2	Middle plate Type 800
5	<del>GAA457JF1</del>	
6	GBA457JF1	Middle plate Type 800

**Trav-O-Lator® 606 NCT  
Floor Plate**

**56-G..26421A**

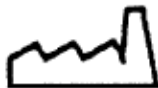


REF.NO. 14 - 15



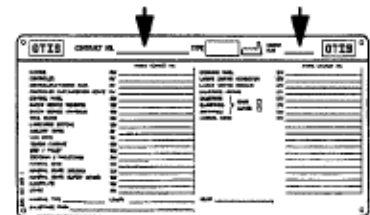
06.96

REF.NO. 20 - 21



07.96

ORDER

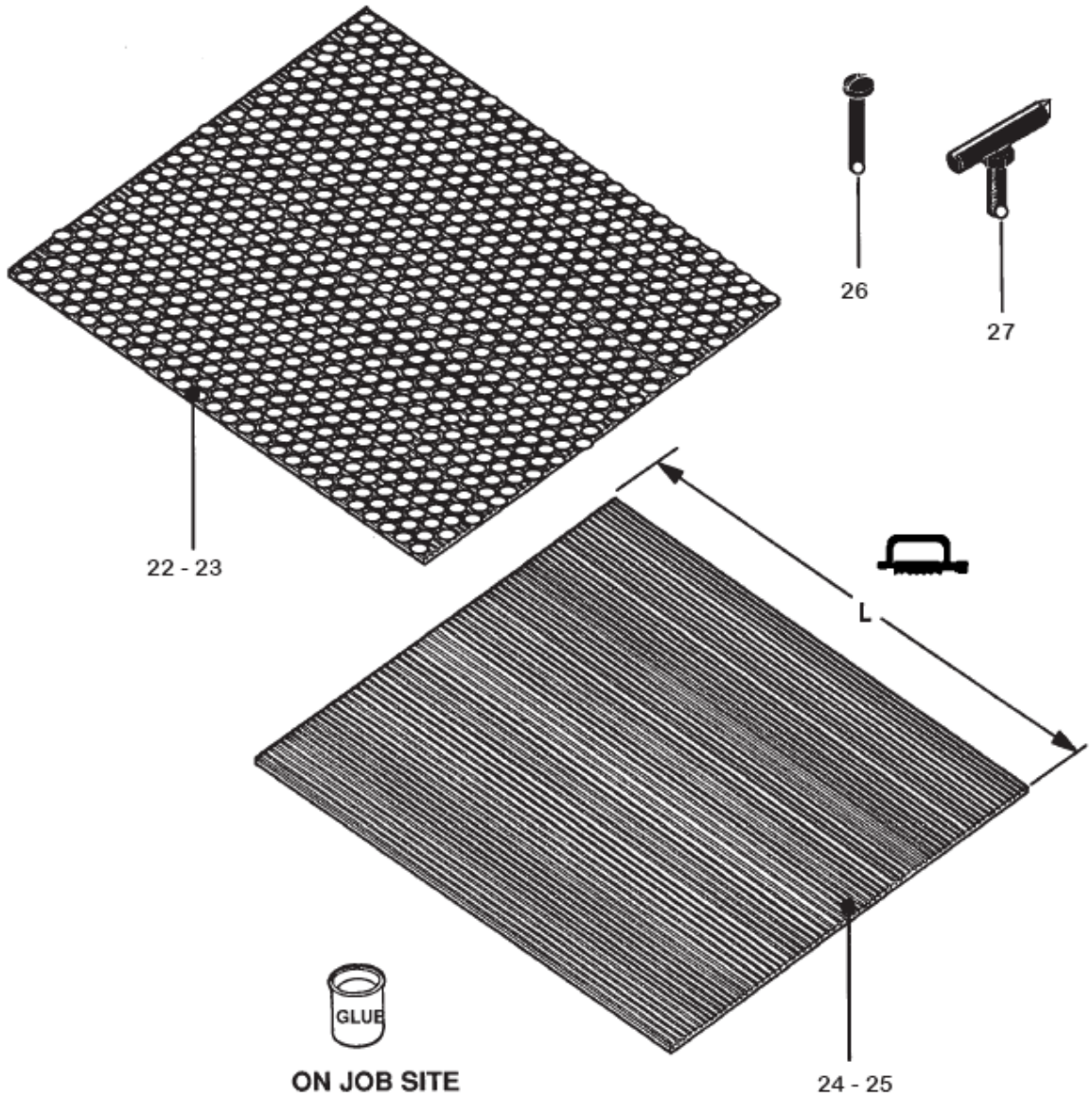


GAA26421A/...B				
REF.NO.	PART OR M.L.	DESCRIPTION		
10	GAA457HZ1	Floorplate	Type 1000	L = 925mm
11	GAA457HZ2	Floorplate	Type 800	
12	GAA457HZ3	Floorplate	Type 1000	L = 777mm
13	GAA457HZ4	Floorplate	Type 800	
14	GAA457HZ7	Floorplate	Type 1000	L = 1065mm
15	GAA457HZ8	Floorplate	Type 800	
16	GAA457JG1	Floorplate	Type 800	L = 910mm
17	GAA457JG2	Floorplate	Type 1000	
18	GAA457JG3	Floorplate	Type 800	L = 761mm
19	GAA457JG4	Floorplate	Type 1000	



**56-G..26421A**

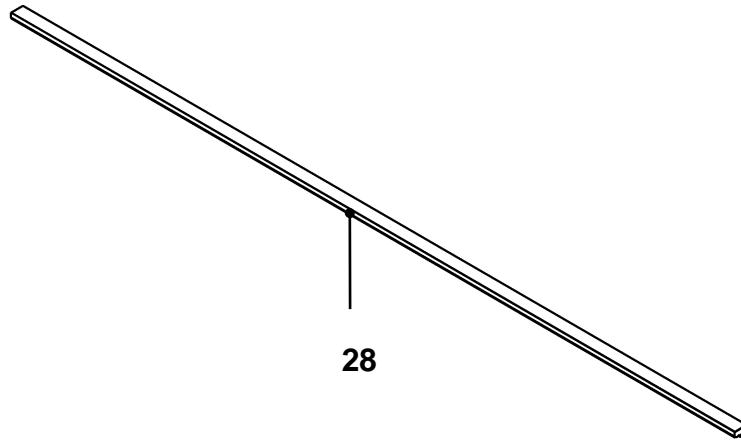
**Trav-O-Lator® 606 NCT  
Floor Plate**



GAA26421A/...B		
REF.NO.	PART OR M.L.	DESCRIPTION
22	----	Rubber Coating napped Type 800 L=1384mm (198903)
23	----	Rubber Coating napped Type 1000 L=1587mm (198903)
24	----	Rubber Coating grooved Type 800 L=1384mm (115089)
25	----	Rubber Coating grooved Type 1000 L=1587mm (115089)

**Trav-O-Lator® 606 NCT  
Floor Plate**

**56-G..26421A**



28

REF. No.	PART No. OR M.L.	DESCRIPTION
28	GBA50AGS1	Floorplate isolation strip