

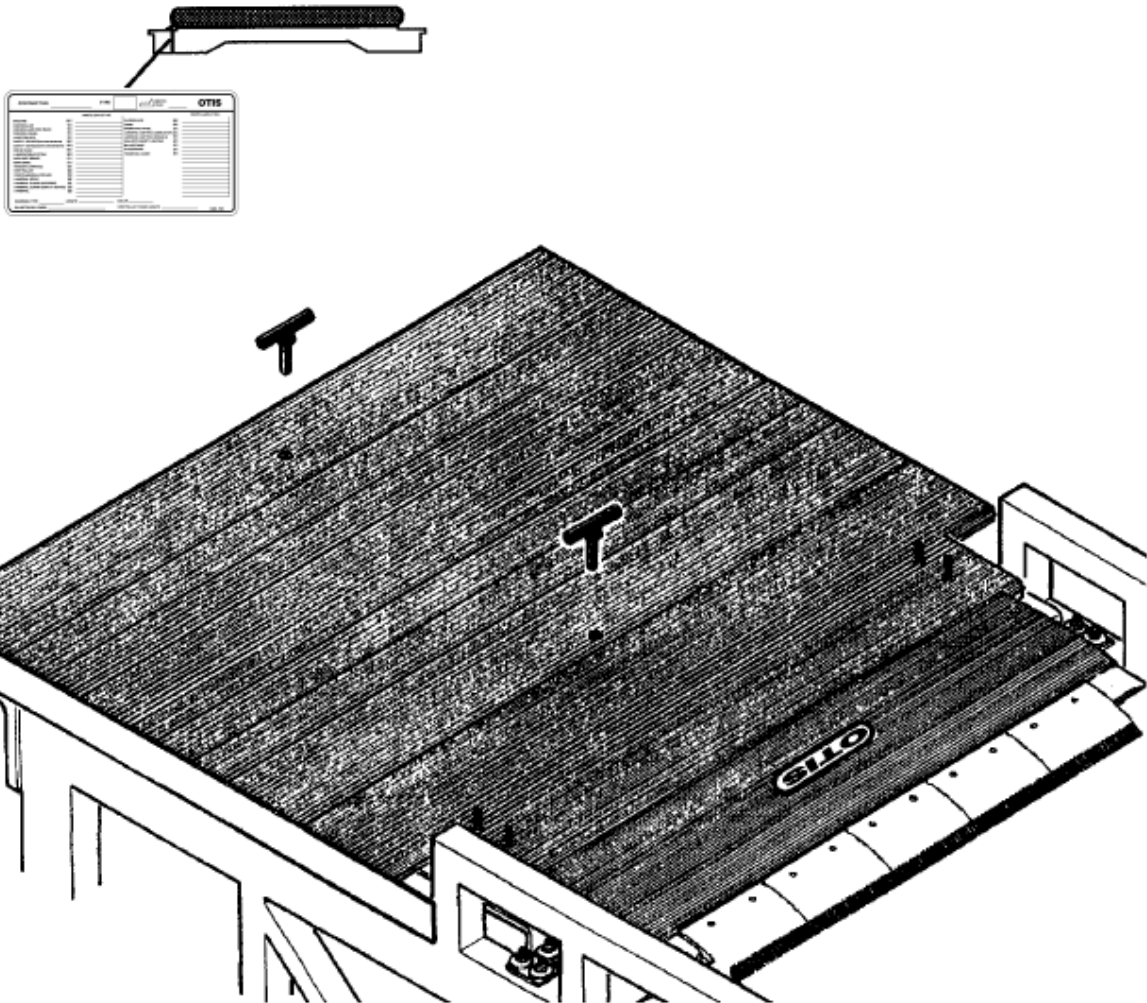
# Trav-O-Lator® 610 NPT Floor Plate

**Spare Parts Leaflet**

**56-G..26421C**

**56-G..26421F**

May 30, 2010 Page 1 of 7



Unpublished Work—©Otis Elevator Co.

**OTIS**

**Safety First!**

**ESCALATOR ENGINEERING**

**Otis Elevator Company**

**SIT GUANGZHOU**

**Leaflet Description**

Trav-O-Lator® 610 NPT Floor Plate

**Leaflet Revisions**

<b>Date Revised</b>	<b>Subject Matter Expert</b>	<b>Reason for Revision</b>
January 2000		Original document
May 30, 2010	Chen Jianhua	Add GBA50AGS1 on page 7.

**Related Drawings**

<b>Drawing No.</b>	<b>Title</b>	<b>Drawing No.</b>	<b>Title</b>
G..26421F	Floor Plate		

**Related Documents**

<b>Document ID</b>	<b>Title</b>

**Subject Matter Expert**

<b>Name</b>	<b>Department</b>
Chen Jianhua	SIT-GUANGZHOU

**About Spare Parts Leaflets**

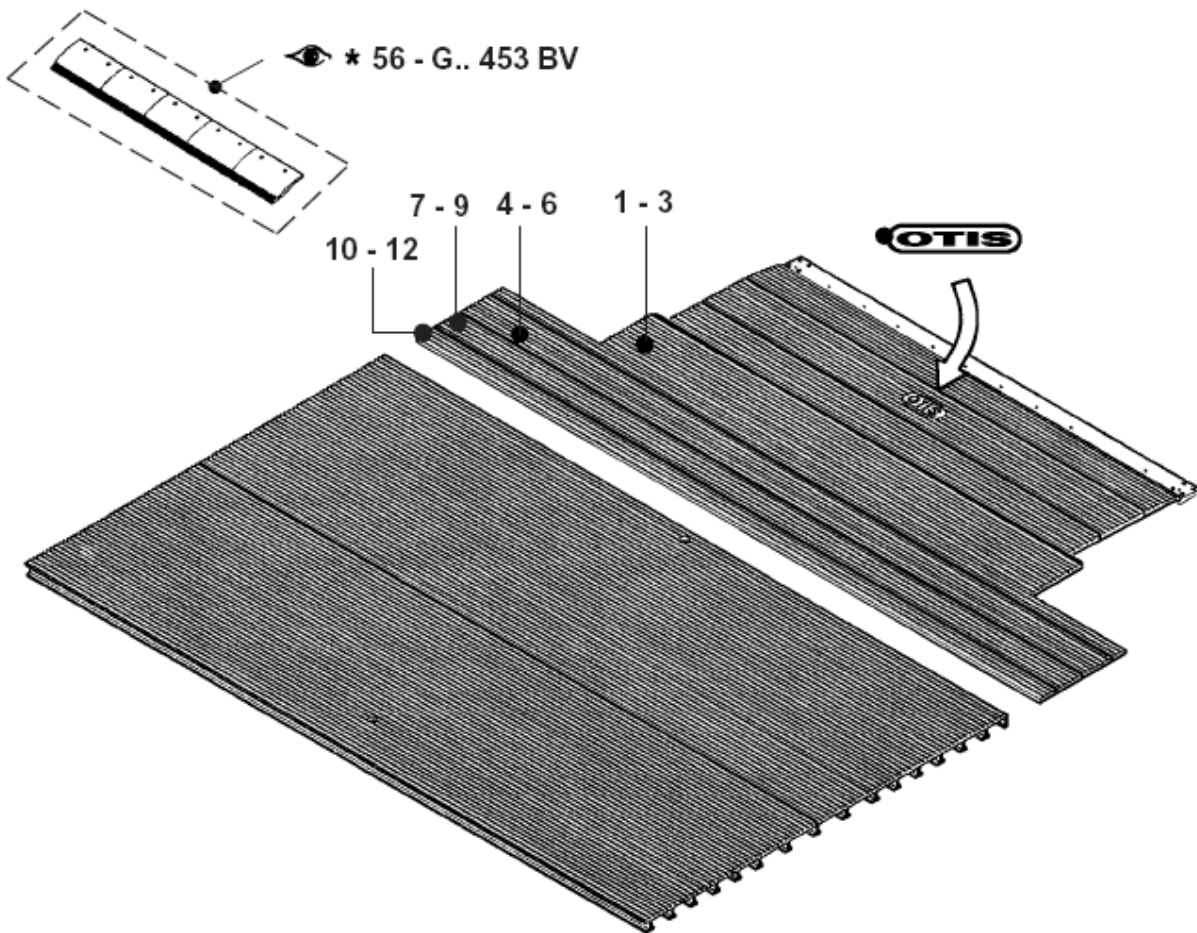
This document lists the lowest replaceable units (LRUs) for the standard version of the product. The LRUs are chosen by a team of Otis associates representing engineering and manufacturing.

While goal of this document is to make parts identification as easy as possible, the document cannot be all-inclusive. Elevator and escalator contracts classified as "special" or "custom" are not addressed here. For such contracts, please refer to specified information, the contract folder, TIPs, Field Education Articles, Construction Letters, etc. for further information.

If you have any suggestions about this document, please contact the subject matter expert listed on this page.

**56-G..26421F**

**Trav-O-Lator® 610 NPT  
Floor Plate**

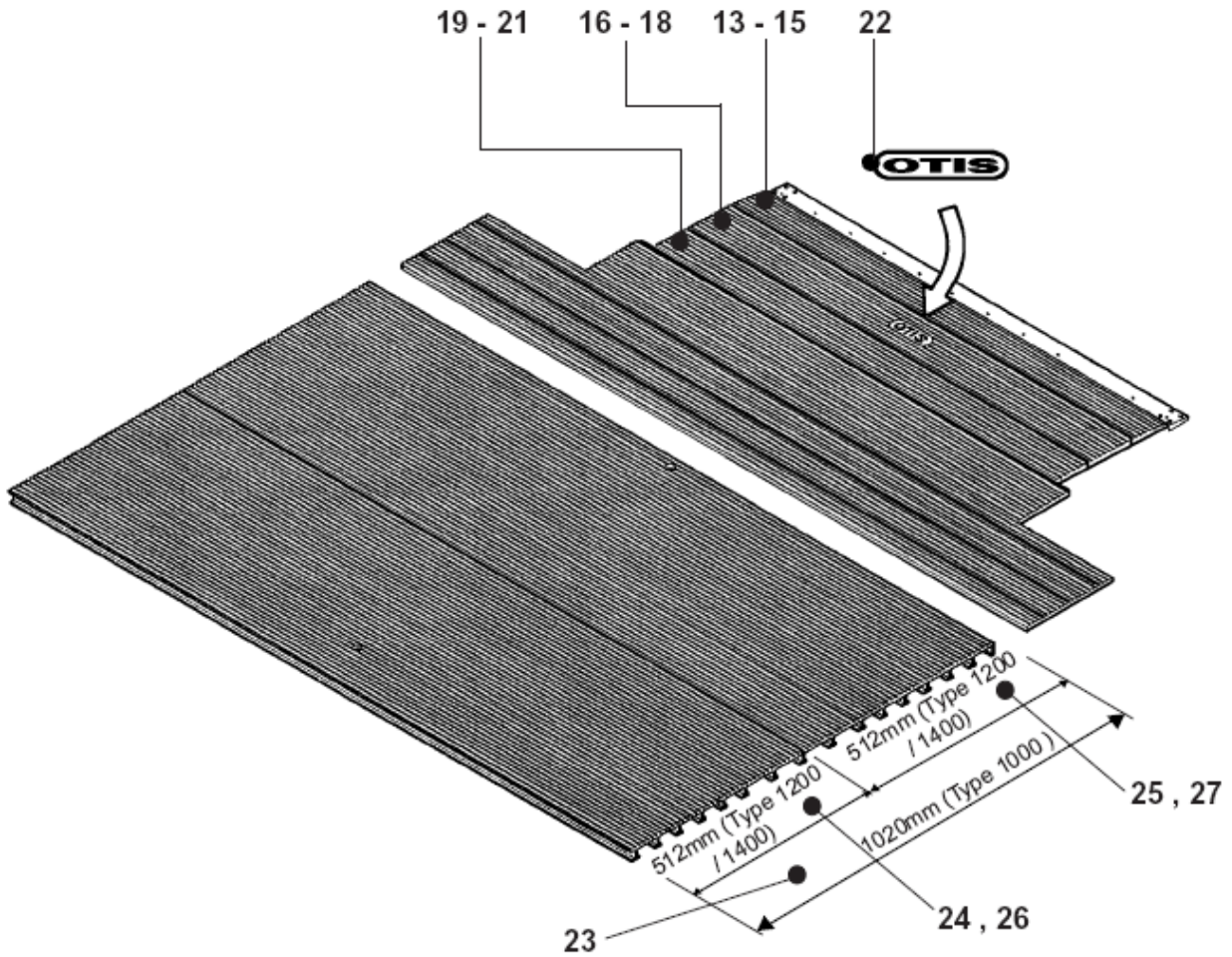


**GAA 26421 F**

REF.NO.	PART OR M.L.	DESCRIPTION
1	GAA 457 KE 7	Floorplate coating 1000
2	GAA 457 KE 8	Floorplate coating 1200
3	GAA 457 KE 9	Floorplate coating 1400
4	GAA 457 KE 10	Floorplate coating 1000
5	GAA 457 KE 11	Floorplate coating 1200
6	GAA 457 KE 12	Floorplate coating 1400
7	GAA 457 KE 13	Floorplate coating 1000
8	GAA 457 KE 14	Floorplate coating 1200
9	GAA 457 KE 15	Floorplate coating 1400
10	GAA 457 KE 16	Floorplate coating 1000
11	GAA 457 KE 17	Floorplate coating 1200
12	GAA 457 KE 18	Floorplate coating 1400

# Trav-O-Lator® 610 NPT Floor Plate

## 56-G..26421F

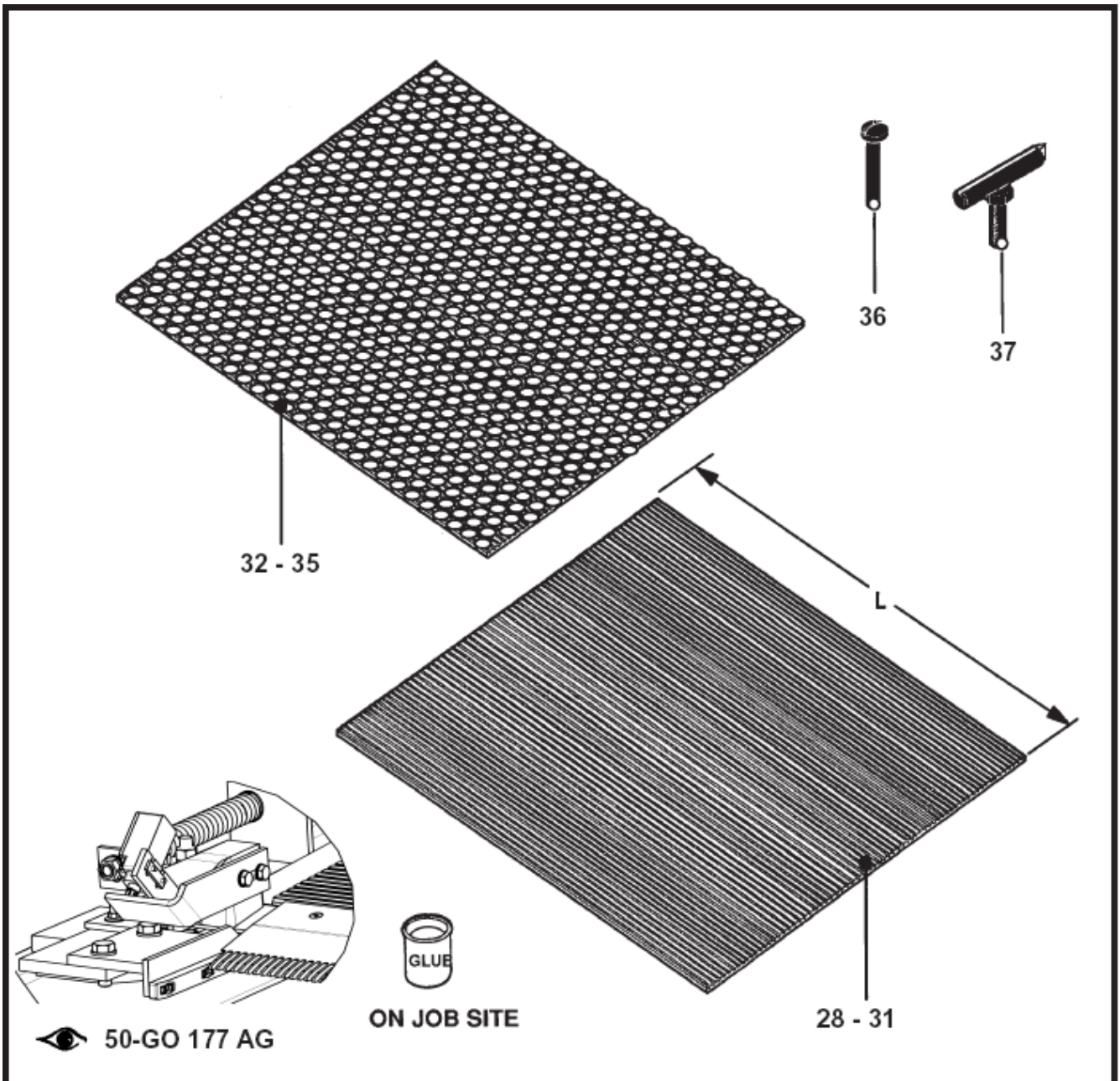


### GAA 26421 F

REF.NO.	PART OR M.L.	DESCRIPTION
13	GAA 457 KE 1	Floorplate coating Type 1000
14	GAA 457 KE 2	Floorplate coating Type 1200
15	GAA 457 KE 3	Floorplate coating Type 1400
16	GAA 457 KE 4	Floorplate coating Type 1000
17	GAA 457 KE 5	Floorplate coating Type 1200
18	GAA 457 KE 6	Floorplate coating Type 1400
19	GAA 457 KE 19	Floorplate coating Type 1000
20	GAA 457 KE 20	Floorplate coating Type 1200
21	GAA 457 KE 21	Floorplate coating Type 1400
22	GAA 102 ADS 2	Plate,logo ; w 2 blind rivets 3,2x10 (195115)
23	GAA 457 KB 2	Floorplate coating Type 1000
24	GAA 457 KB 3	Floorplate coating Type 1200
25	GAA 457 KB 5	Floorplate coating Type 1200
26	GAA 457 KB 4	Floorplate coating Type 1400
27	GAA 457 KB 6	Floorplate coating Type 1400

**56-G..26421F**

**Trav-O-Lator® 610 NPT  
Floor Plate**

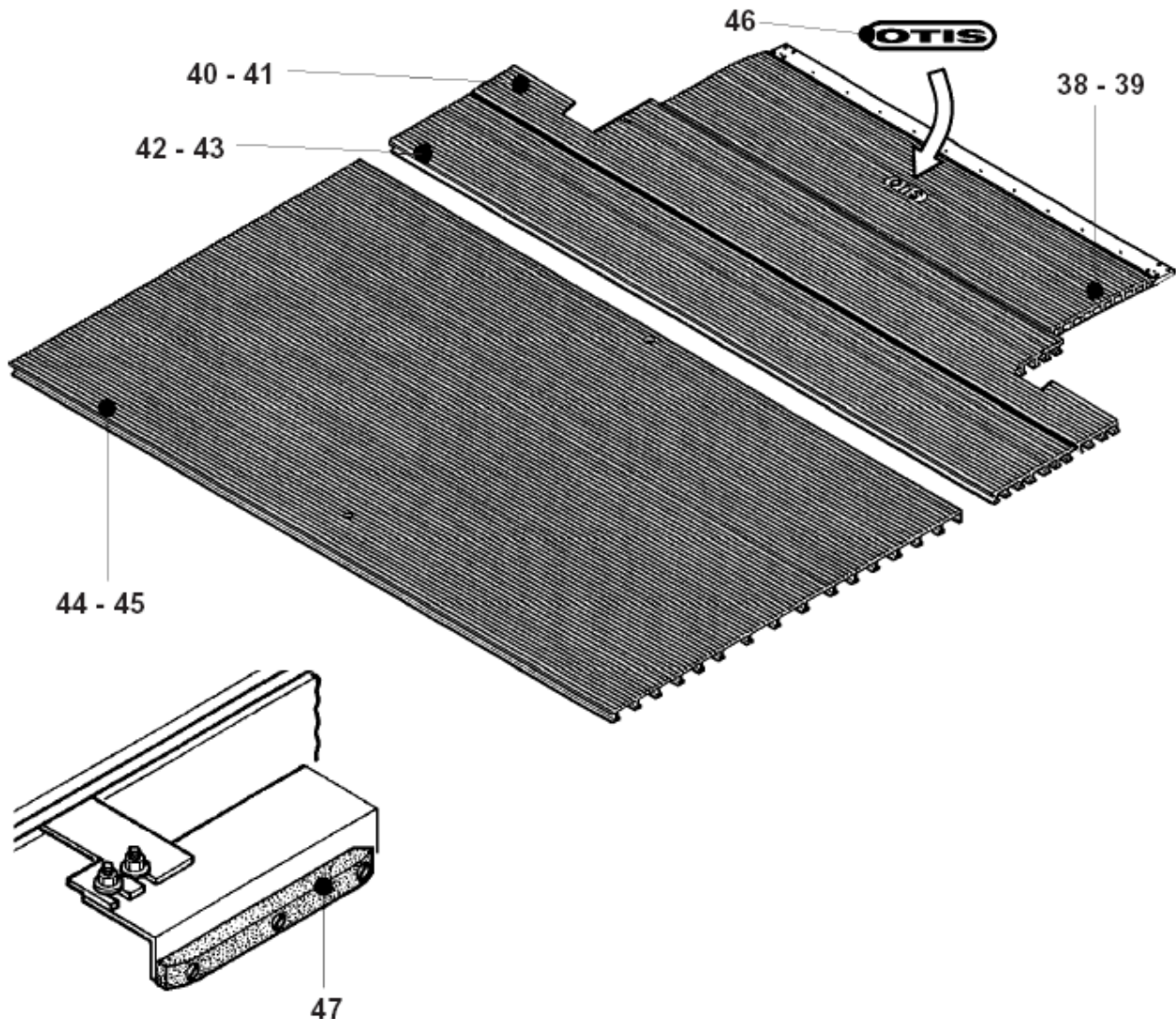


**GAA 26421 F / ...C**

REF.NO.	PART OR M.L.	DESCRIPTION
28	-----	Rubber Coating grooved Type 800
29	-----	Rubber Coating grooved Type 1000
30	-----	Rubber Coating grooved Type 1200
31	-----	Rubber Coating grooved Type 1400
32	-----	Rubber Coating napped Type 800
33	-----	Rubber Coating napped Type 1000
34	-----	Rubber Coating napped Type 1200
35	-----	Rubber Coating napped Type 1400
36	GOA 112 C 1	Filister head screw stainless steel
37	GAA 27 BW 1	Lifter

# Trav-O-Lator® 610 NPT Floor Plate

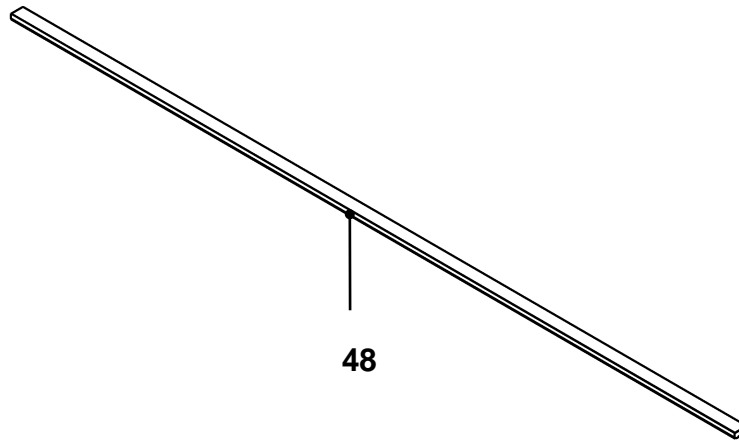
**56-G..26421F**



GAA 26421 C			
REF.NO.	PART OR M.L.	DESCRIPTION	
38	GAA 453 BY 1	Combplate	Type 1000
39	GAA 453 BY 2	Combplate	Type 800
40	GAA 457 HX 1	Floorplate	Type 1000
41	GAA 457 HX 2	Floorplate	Type 800
42	GAA 457 HX 4	Floorplate	Type 1000
43	GAA 457 HX 5	Floorplate	Type 800
44	GAA 457 KB 2	Floorplate	Type 1000
45	GAA 457 KB 1	Floorplate	Type 800
46	GAA 102 ADS 2	Plate,logo ; w 2 blind rivets 3,2x10 (195107)	
47	GO 2215 T 6	Guide	

**56-G..26421F**

**Trav-O-Lator® 610 NPT  
Floor Plate**



REF. No.	PART No. OR M.L.	DESCRIPTION
48	GBA50AGS1	Floor plate isolation strip