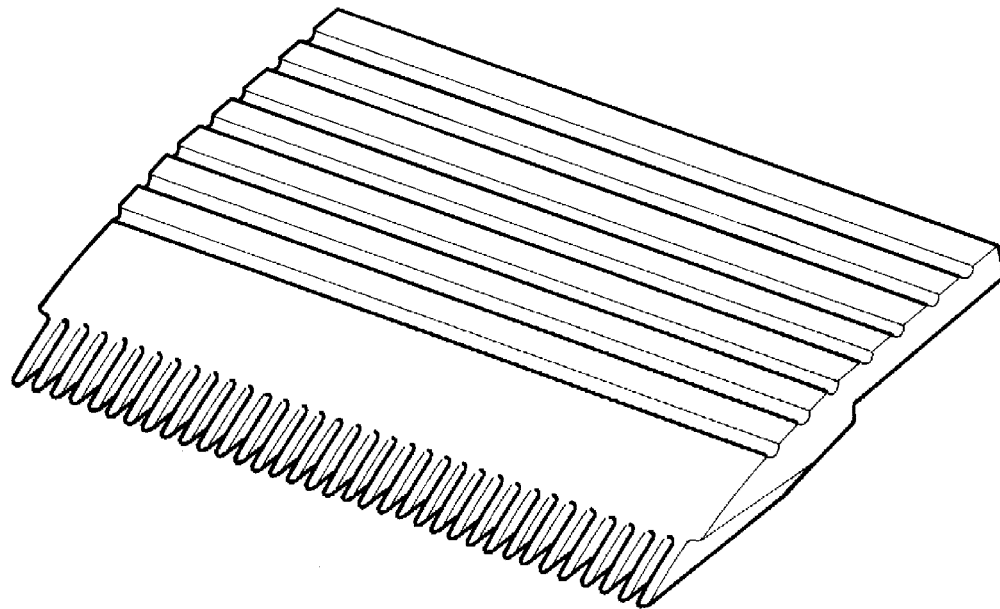
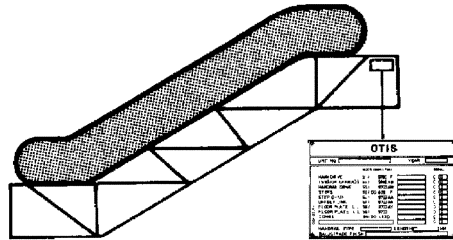


**(Only for Replacement)
Comb Escalator &
Trav-O-Lator®**

**Spare Parts Leaflet
56-GO453D-NSAA**

May 23, 2005 / Page 1 of 7

Supersedes SPL 56-GO453D Dated October 1, 2003



Unpublished Work—©Otis Elevator Co.; 2005

OTIS

Safety First!

SERVICE ENGINEERING
Otis Elevator Company
Bloomfield, Connecticut USA

Leaflet Description

This SPL provides part numbers for replacement combs for the 506, 506 SL, and 510/510-SR escalators installed in North America.

Leaflet Revisions

Date Revised	Subject Matter Expert	Reason for Revision
May 23, 2005	Tom Charney	New SPL

Related Drawings

Drawing No.	Title	Drawing No.	Title
GO453D	Comb Plate		
GAA453BM	Comb Plate		

Related Documents

Document ID	Title
56-GAA453BM	Escalator Comb

Subject Matter Expert

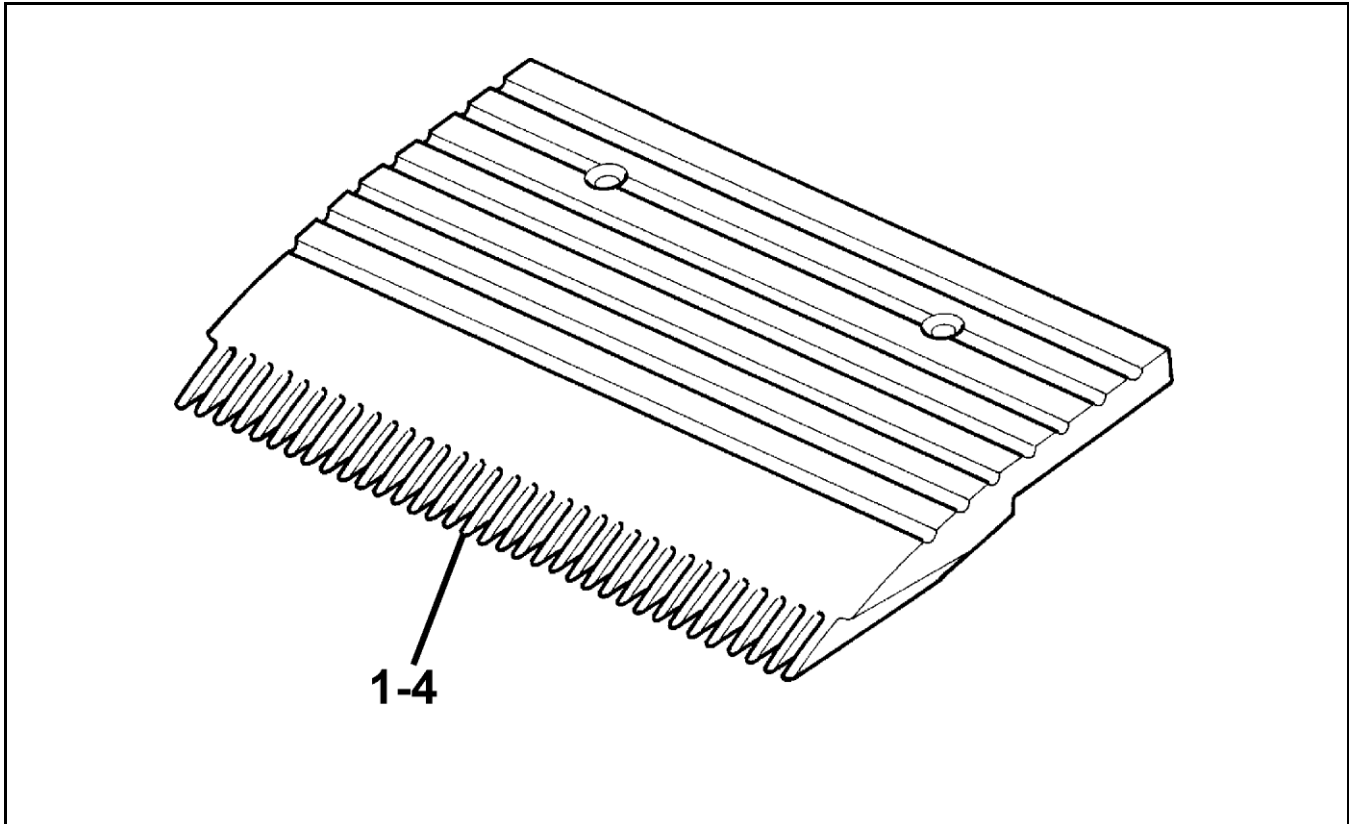
Name	Department
Tom Charney	OSC Service Engineering

About Spare Parts Leaflets...


This document lists the lowest replaceable units (LRUs) for the standard version of the product. The LRUs are chosen by a team of Otis associates representing engineering and manufacturing.


While goal of this document is to make parts identification as easy as possible, the document cannot be all-inclusive. Elevator and escalator contracts classified as "special" or "custom" are not addressed here. For such contracts, please refer to specified information, the contract folder, TIPs, Field Education Articles, Construction Letters, etc. for further information.

If you have any suggestions about this document, please contact the subject matter expert listed on this page.



REF No.	PART No.	FINISH	DESCRIPTION
1	GO453D1	Plain Aluminum	Comb, L = 203.184 mm, 24 Teeth
	AAA453AJ215	Black Painted Lines	
	AAA453AJ15	Yellow Powder Coat	
	AAA453AJ115	Glow In The Dark	
2	GO453D6	Plain Aluminum	Comb, L = 197.994 mm, 23 Teeth
	AAA453AJ220	Black Painted Lines	
	AAA453AJ20	Yellow Powder Coat	
	AAA453AJ120	Glow In The Dark	
3	GO453D3	Plain Aluminum	Comb, L = 206.39 mm, 24 Teeth (for steps with demarcation inserts)
	AAA453AJ217	Black Painted Lines	
	AAA453AJ17	Yellow Powder Coat	
	AAA453AJ117	Glow In The Dark	
4	GO453D7	Plain Aluminum	Comb, L = 197.994 mm, 23 Teeth (for steps with demarcation inserts)
	AAA453AJ221	Black Painted Lines	
	AAA453AJ21	Yellow Powder Coat	
	AAA453AJ121	Glow In The Dark	

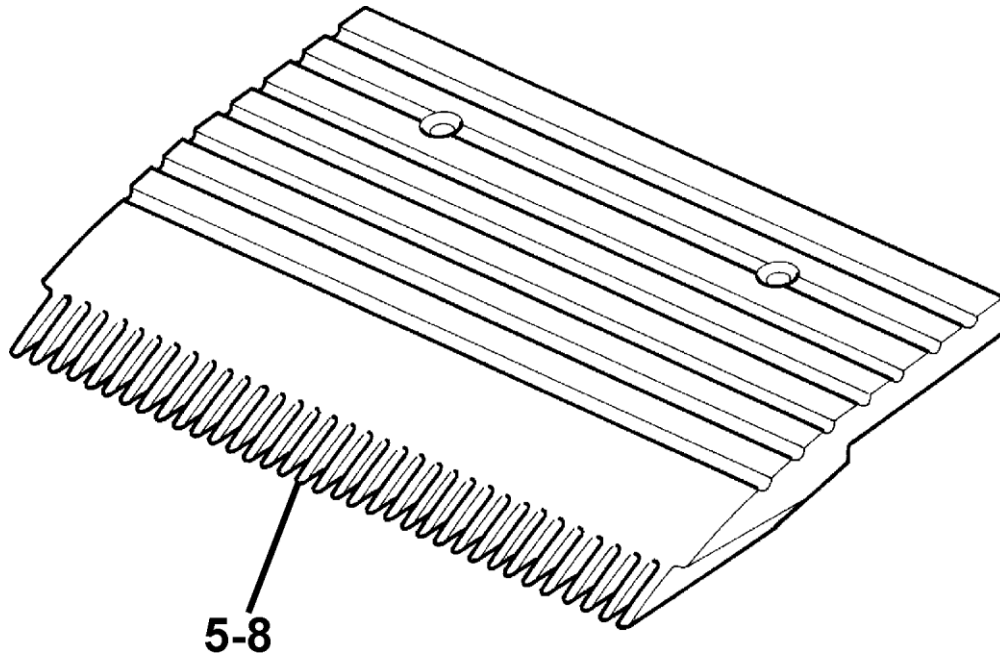
NOTE: 1  page 5 for comb plate arrangements.

NOTE: 2  page 7 for optional interchange of complete comb sets.


Continued on next page.


Escalator Comb

56-GO453D-NSAA

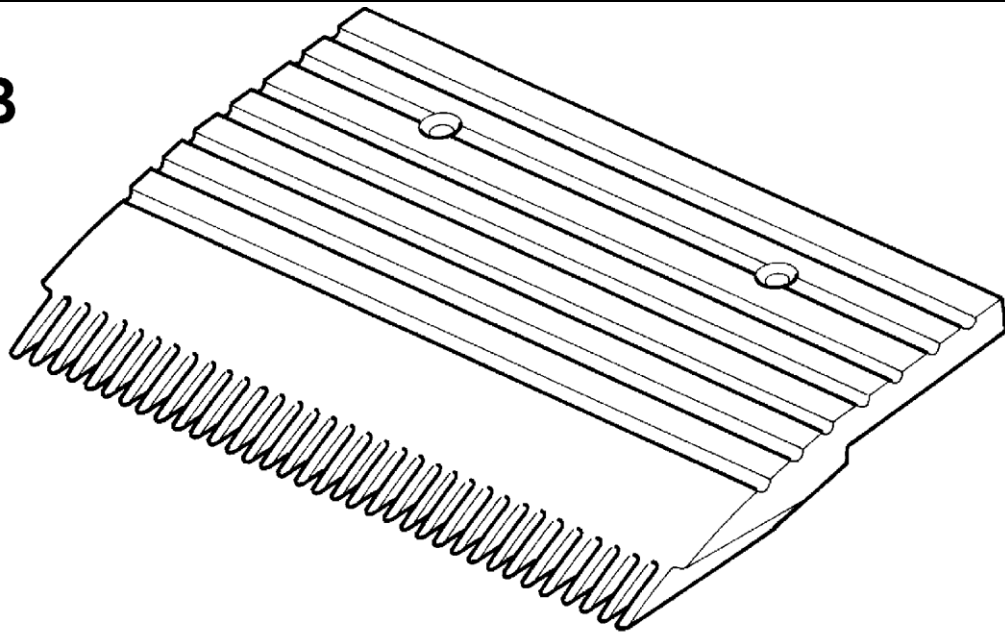


REF No.	PART No.	FINISH	DESCRIPTION
5	GO453D5	Plain Aluminum	Comb, L = 206.39 mm, 24 Teeth
	AAA453AJ219	Black Painted Lines	
	AAA453AJ19	Yellow Powder Coat	
	AAA453AJ119	Glow In The Dark	
6	GOA453A1	Plain Aluminum	Comb, L = 152.355 mm, 18 Teeth
	AAA453AJ201	Black Painted Lines	
	AAA453AJ1	Yellow Powder Coat	
	AAA453AJ101	Glow In The Dark	
7	GOA453A4	Plain Aluminum	Comb, L = 145.904 mm, 17 Teeth
	AAA453AJ202	Black Painted Lines	
	AAA453AJ2	Yellow Powder Coat	
	AAA453AJ102	Glow In The Dark	
8	GOA453A9	Plain Aluminum	Comb, L = 126.945 mm, 16 Teeth
	AAA453AJ204	Black Painted Lines	
	AAA453AJ4	Yellow Powder Coat	
	AAA453AJ104	Glow In The Dark	

NOTE: 1  page 5 for comb plate arrangements.

NOTE: 2  page 7 for optional interchange of complete comb sets.

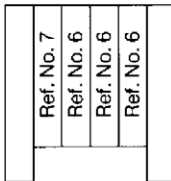
COMB



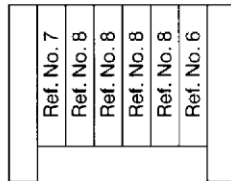
ONLY FOR REPLACEMENT

ARRANGEMENT OF COMBS GOA 453 A

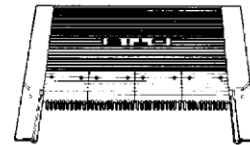
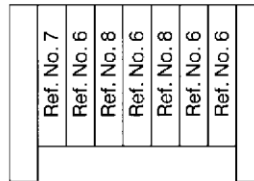
TYP 600
GO 453 G1



TYP 800
GO 453 G2

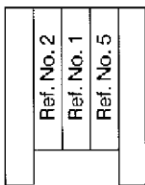


TYP 1000
GO 453 G3

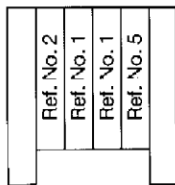


ARRANGEMENT OF COMBS GO 453 D

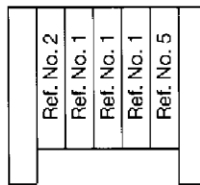
TYP 600
GO 453 G4



TYP 800
GO 453 G5

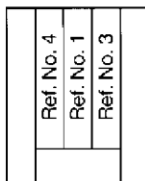


TYP 1000
GO 453 G6

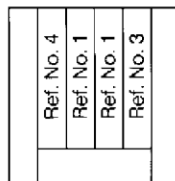


ARRANGEMENT OF COMBS GO 453 D

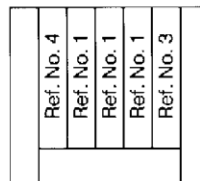
TYP 800
GO 453 G7



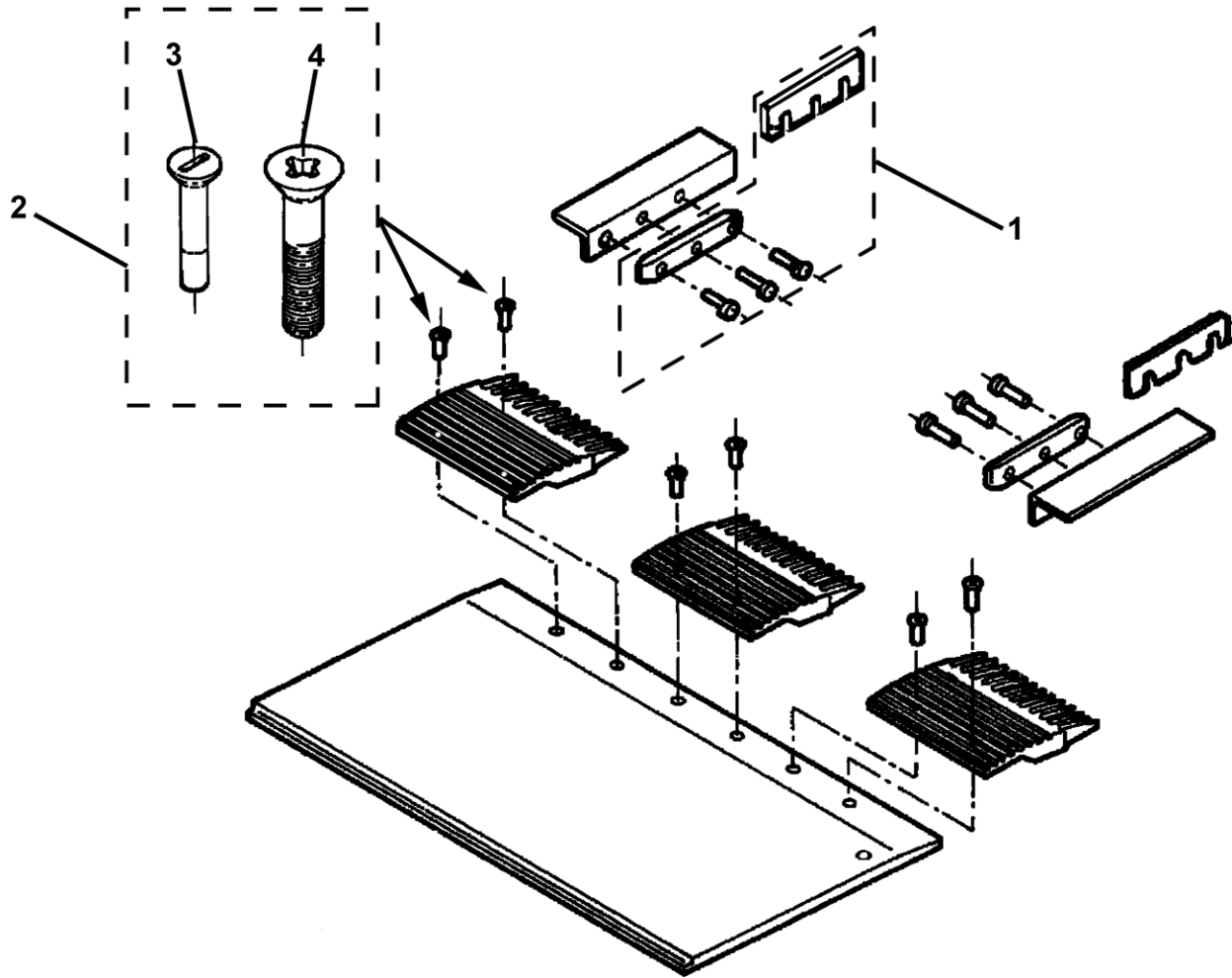
TYP 800
GO 453 G8



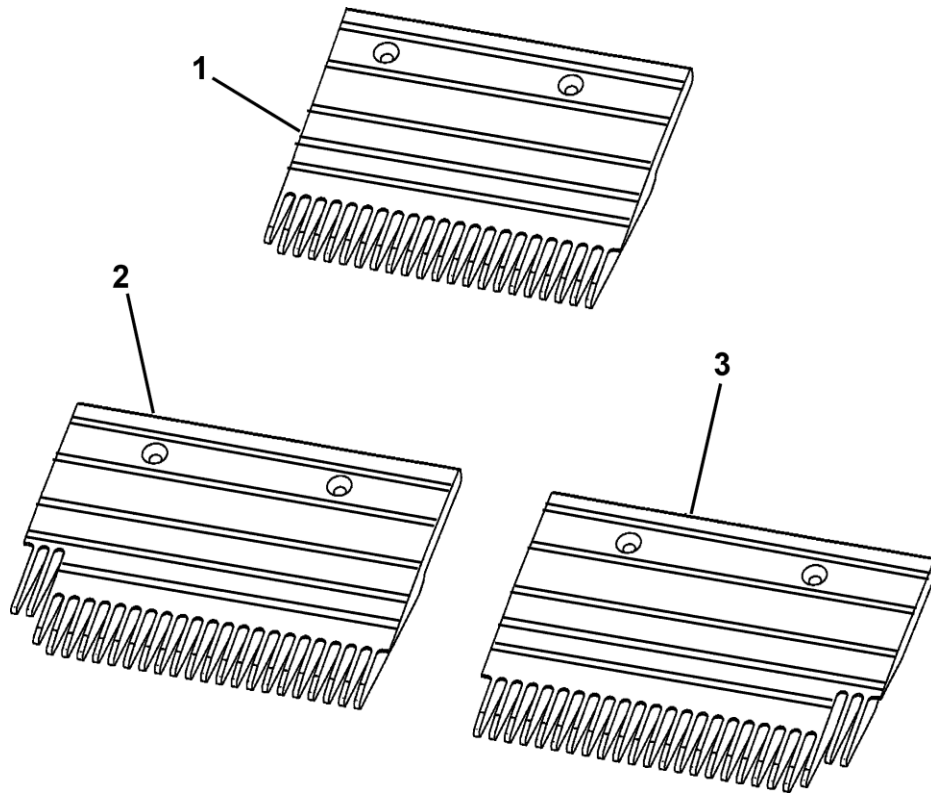
TYP 1000
GO 453 G9



**ONLY FOR STEP WITH
DEMARCATON INSERTS**



REF No.	PART No.	FINISH	DESCRIPTION
1	GO2215T6	N/A	Guide, Step, with Hardware
2	GO2215T7	N/A	Kit, Hardware
3	128-959	Stainless Steel	Screw, Flat Head Socket, M6 X 12 mm L
	VP-849890	Zinc Plated	Screw, Phillips Flat Head, M6 X 12 mm L
	VP-849889		Screw, Slotted Flat Head, M6 X 12 mm L
4	DIN7991 M6X16 10.9B	Black Oxide	Screw, Socket Flat Head, M6 X 16 mm L
	DIN7991 M6X16 SCREW S/S	Stainless Steel	



REF. No.	PART No.	DESCRIPTION
1	GO453D4 GAA453BM1	Plate, Comb (optional replacement comb plate set for GO453D type combs.) 👁️ SPL 56-G..453BM and NOTE
	GO453D6 GAA453BM6	
	GO453D5 GAA453BM5	
2	GO453D7 GAA453BM7	
3	GO453D3 GAA453BM3	

NOTE: The GO453D type and GAA453BM type combs are functionally interchangeable, but are aesthetically different. The GAA453BM combs may be used in place of existing GO453D combs, but the first replacement should be a complete set.