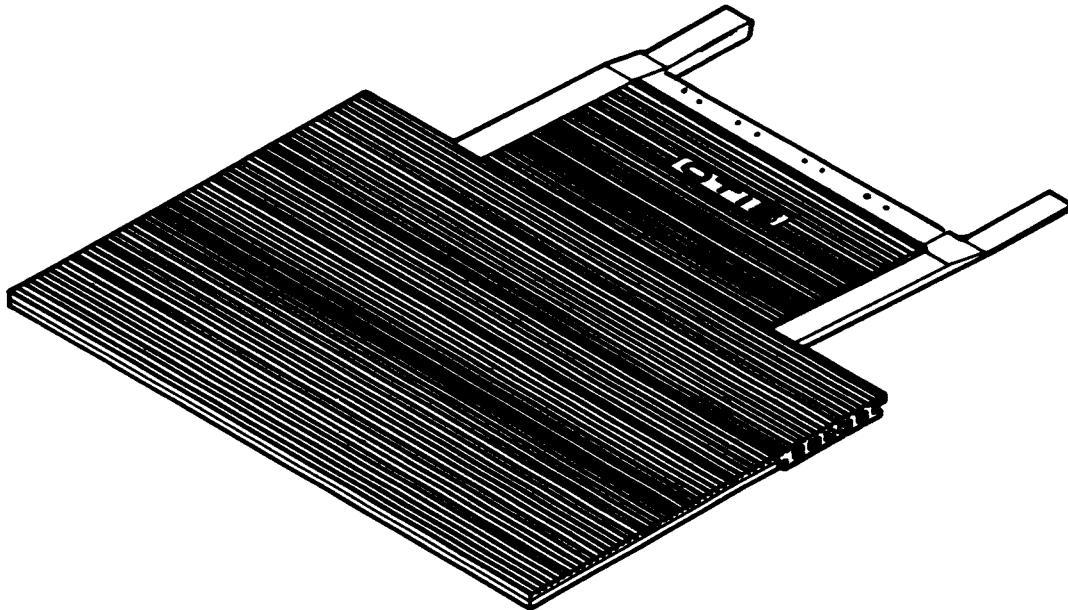
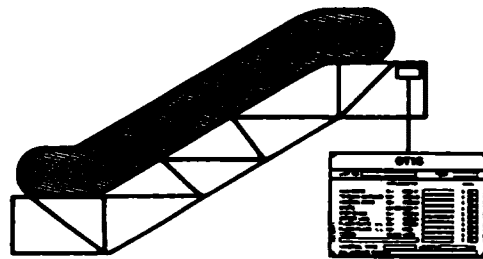


**Escalator Comb and  
Floor Plate: Lower  
Landing, Otis 510**

**Spare Parts Leaflet**  
**56-G09704BE-NSAA**  
April 25, 2005 / Page 1 of 5



Unpublished Work—©Otis Elevator Co.; 2005

**OTIS**

**Safety First!**

**SERVICE ENGINEERING**  
**Otis Elevator Company**  
**Bloomfield, Connecticut USA**

**Leaflet Description**

This SPL is intended to provide comb and floor plate replacement part information for Otis 510 model escalators installed in North America, or otherwise under A17.1 or B44 code jurisdiction.

**Leaflet Revisions**

<b>Date Revised</b>	<b>Subject Matter Expert</b>	<b>Reason for Revision</b>
April 25, 2005	Tom Charney	New SPL (based on the German SPL 56-GO9704BE)
---	---	---

**Related Drawings**

<b>Drawing No.</b>	<b>Title</b>	<b>Drawing No.</b>	<b>Title</b>
GO9704BE	Floorplates, Lower Landing	---	---
---	---	---	---

**Related Documents**

<b>Document ID</b>	<b>Title</b>
---	---
---	---

**Subject Matter Expert**

<b>Name</b>	<b>Department</b>
Tom Charney	OSC Service Engineering

**About Spare Parts Leaflets...**

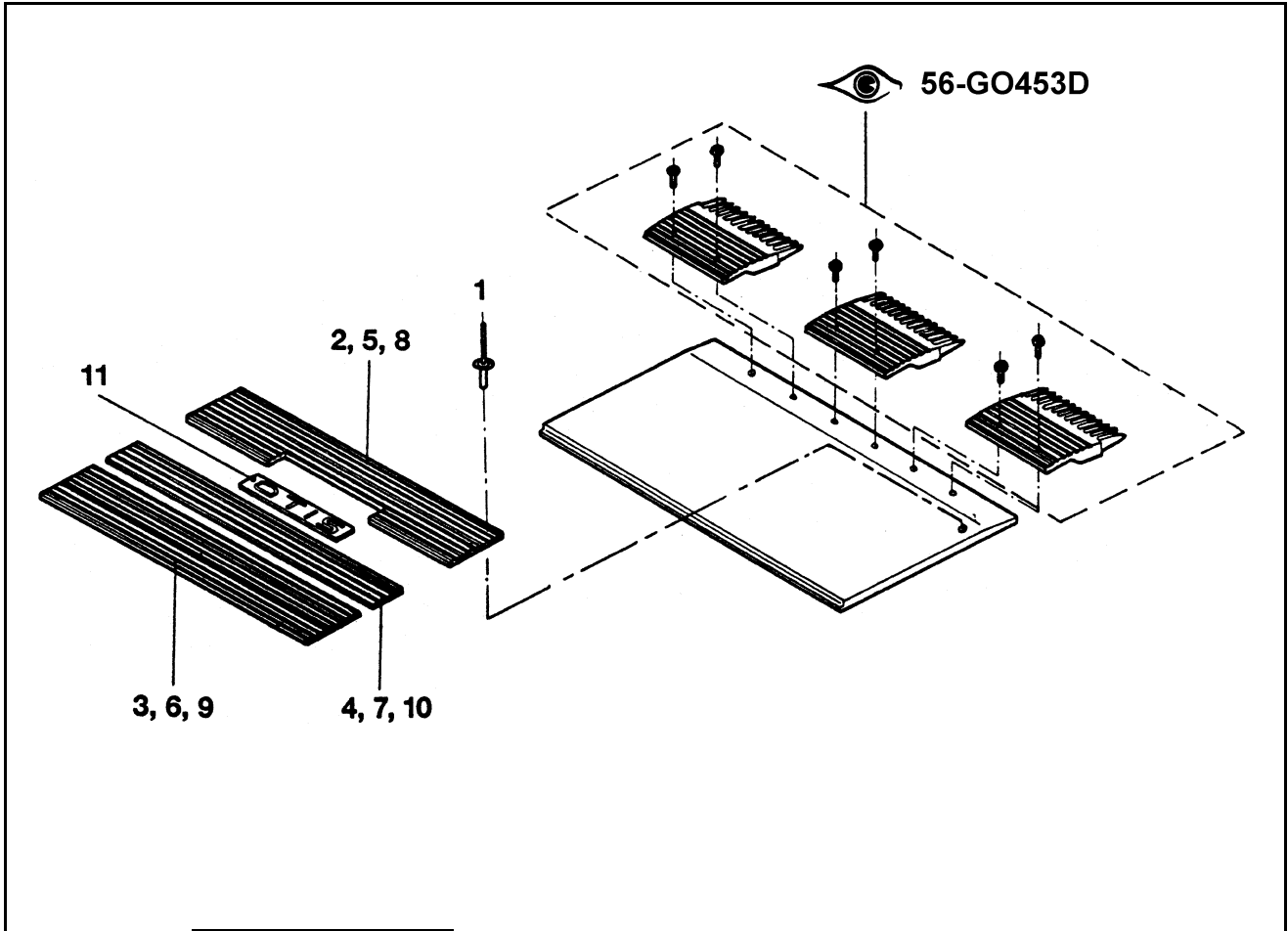
This document lists the lowest replaceable units (LRUs) for the standard version of the product. The LRUs are chosen by a team of Otis associates representing engineering and manufacturing.

While goal of this document is to make parts identification as easy as possible, the document cannot be all-inclusive. Elevator and escalator contracts classified as "special" or "custom" are not addressed here. For such contracts, please refer to specified information, the contract folder, TIPs, Field Education Articles, Construction Letters, etc. for further information.

If you have any suggestions about this document, please contact the subject matter expert listed on this page.

# Escalator Comb and Floor Plate: Lower Landing, Otis 510

**56-GO9704BE-  
NSAA**

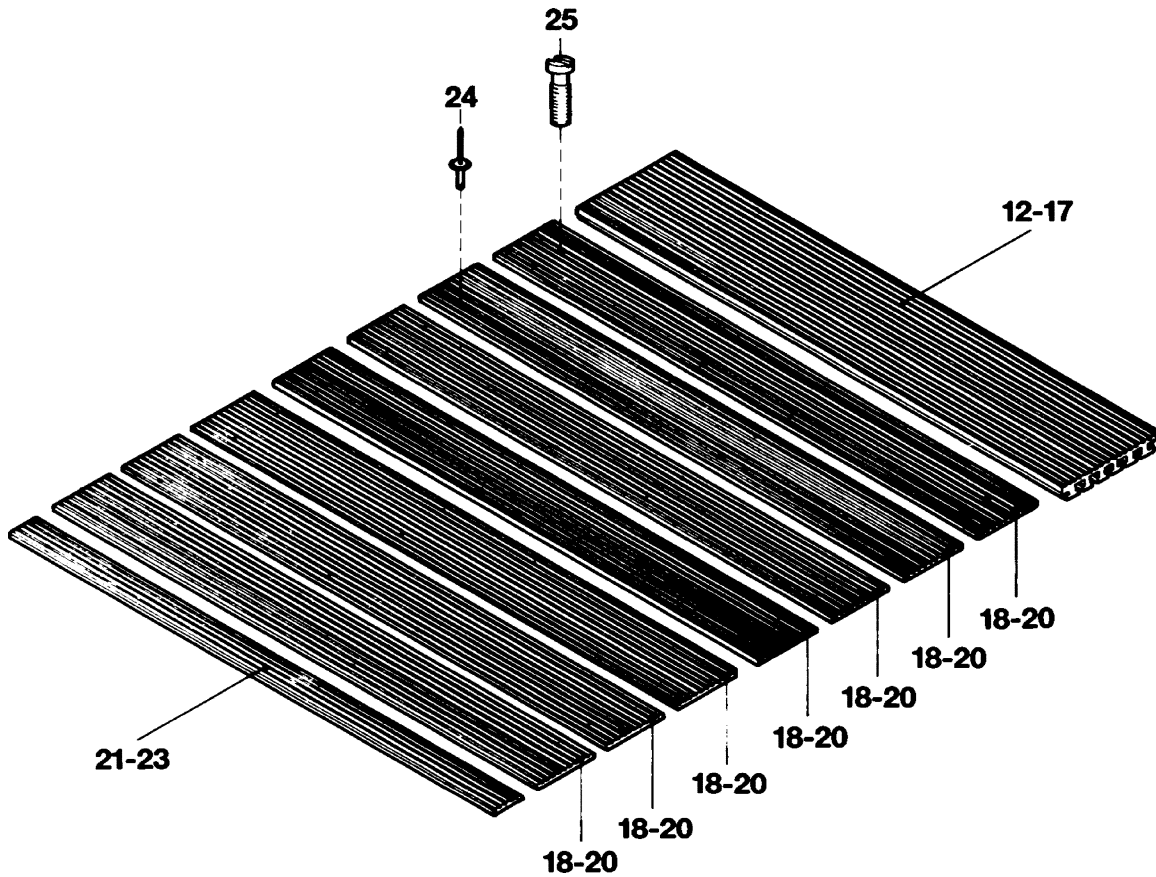


**VINTAGE G. 01**

REF. No.	PART No.	DESCRIPTION	TYPE
1	GO2215W42	Blind Rivet 3.2 x 25	---
2	GO457CL1	Shape	600
3	GO457CL4	Shape	
4	GO457CL7	Shape	
5	GO457CL2	Shape	800
6	GO457CL5	Shape	
7	GO457CL8	Shape	
8	GO457CL3	Shape	1000
9	GO457CL6	Shape	
10	GO457CL9	Shape	
11	GO102KJ1	Plate, Name	---

**56-GO9704BE-  
NSAA**

## Escalator Comb and Floor Plate: Lower Landing, Otis 510

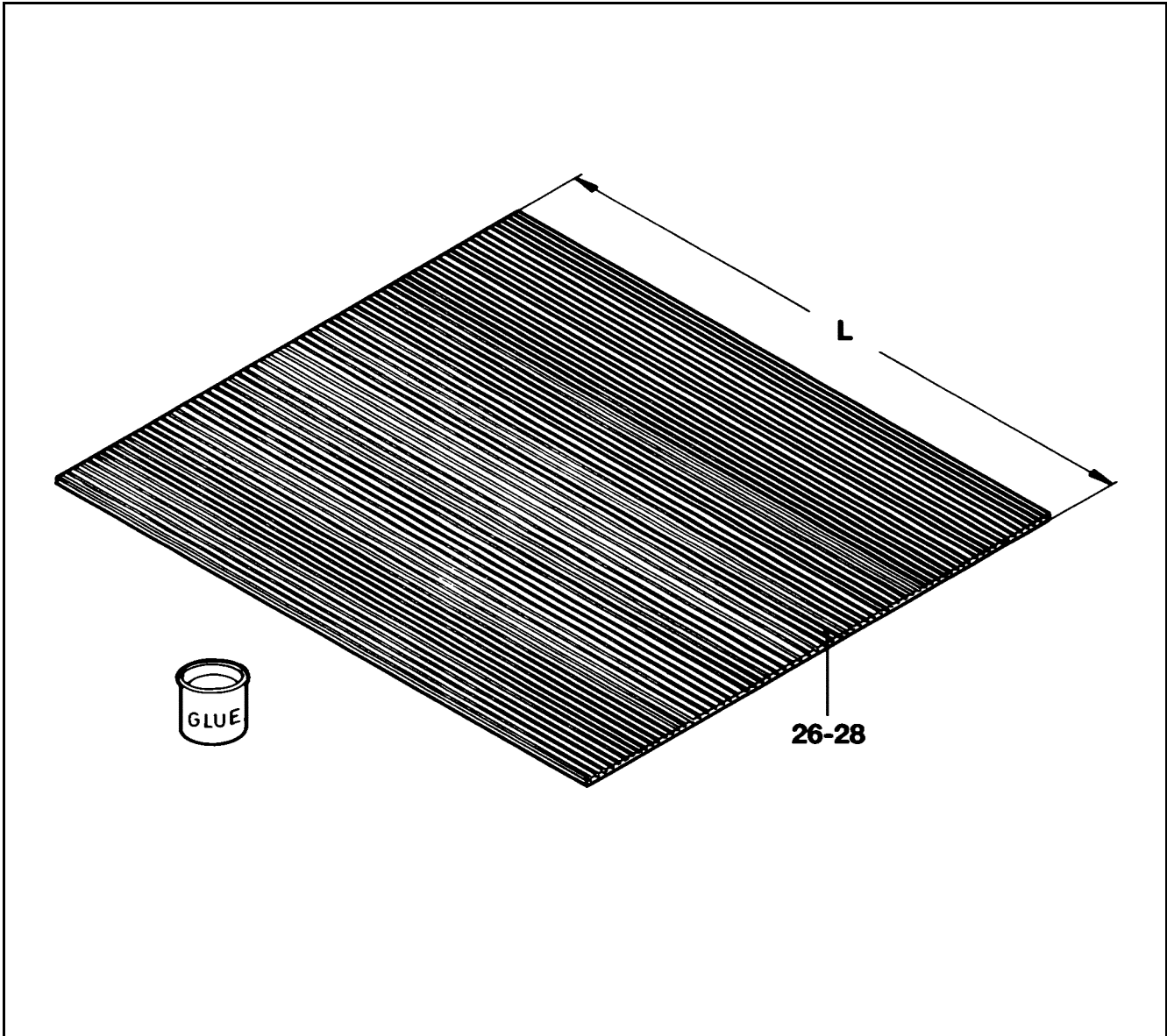





**VINTAGE G. 01**


REF. No.	PART No.	DESCRIPTION	TYPE
12	GO457CN4	Shape	600
13	GO457CN5	Shape	800
14	GO457CN7	Shape	1000
15	GO457CN11	Shape Only for Step Demarcation Insert	600
16	GO457CN12	Shape Only for Step Demarcation Insert	800
17	GO457CN14	Shape Only for Step Demarcation Insert	1000
18	GO457CL22	Shape	600
19	GO457CL23	Shape	800
20	GO457CL25	Shape	1000
21	GO457CL26	Shape	600
22	GO457CL27	Shape	800
23	GO457CL29	Shape	1000
24	GO2215W42	Blind Rivet 3.2 x 25, Fastening Parts	---
25	GOA112C1	Filister Head Screw, Stainless Steel, Fastening Parts	---

# Escalator Comb and Floor Plate: Lower Landing, Otis 510

**56-GO9704BE-  
NSAA**



VINTAGE G. 01			
REF. No.	PART No.	DESCRIPTION	TYPE
26	GO2215W41	Rubber Coating, L = 1300 mm, 	600
27		Rubber Coating, L = 1500 mm, 	800
28		Rubber Coating, L = 1700 mm, 	1000

 on job site