

Leaflet Description

This SPL is intended to provide Comb and Floorplate replacement part information for Otis 606 model Trav-O-Lators installed in North America, or otherwise under A17.1 or B44 code jurisdiction.

Leaflet Revisions

Date Revised	Subject Matter Expert	Reason for Revision
March 25, 2005	Tom Charney	New SPL (based on the German SPL 56-UT2141)
---	---	---

Related Drawings

Drawing No.	Title	Drawing No.	Title
UT2141	606 Comb and Floor Plate	---	---
---	---	---	---

Related Documents

Document ID	Title
---	---
---	---

Subject Matter Expert

Name	Department
Tom Charney	OSC Service Engineering

About Spare Parts Leaflets...

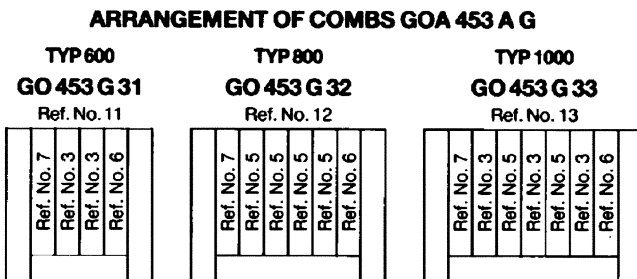
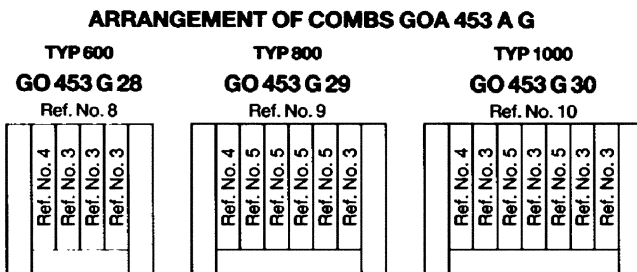
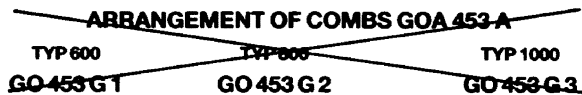
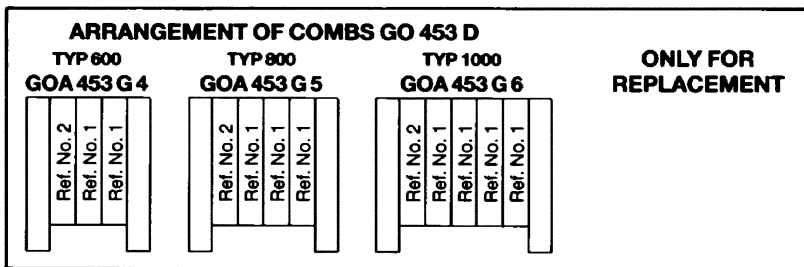
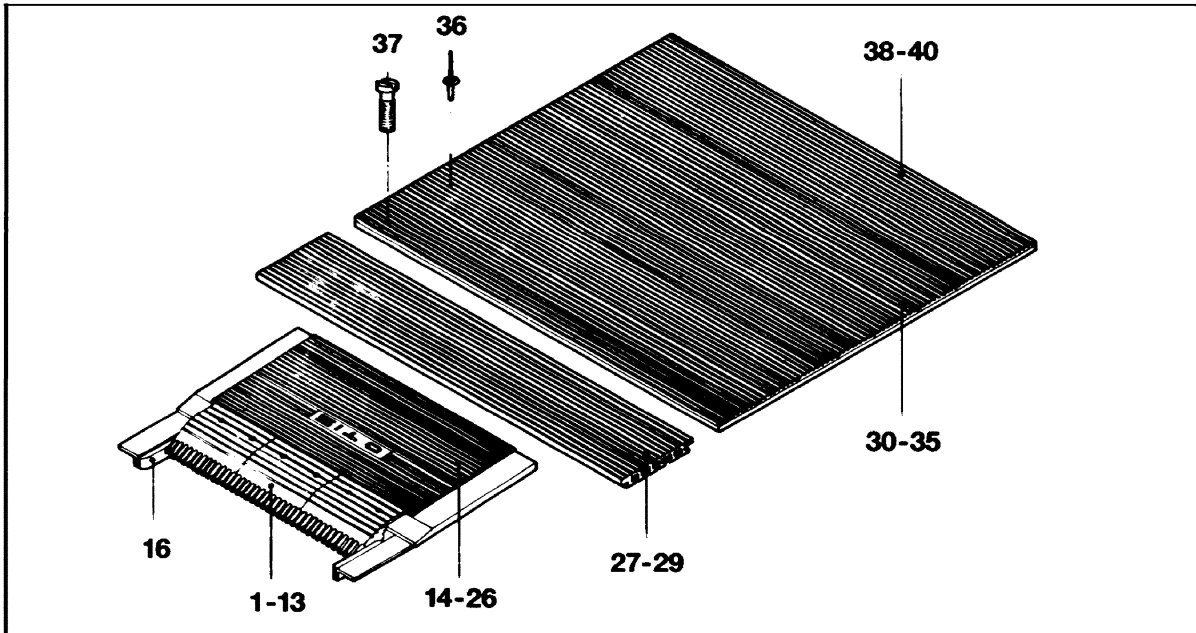
This document lists the lowest replaceable units (LRUs) for the standard version of the product. The LRUs are chosen by a team of Otis associates representing engineering and manufacturing.

While goal of this document is to make parts identification as easy as possible, the document cannot be all-inclusive. Elevator and escalator contracts classified as "special" or "custom" are not addressed here. For such contracts, please refer to specified information, the contract folder, TIPs, Field Education Articles, Construction Letters, etc. for further information.

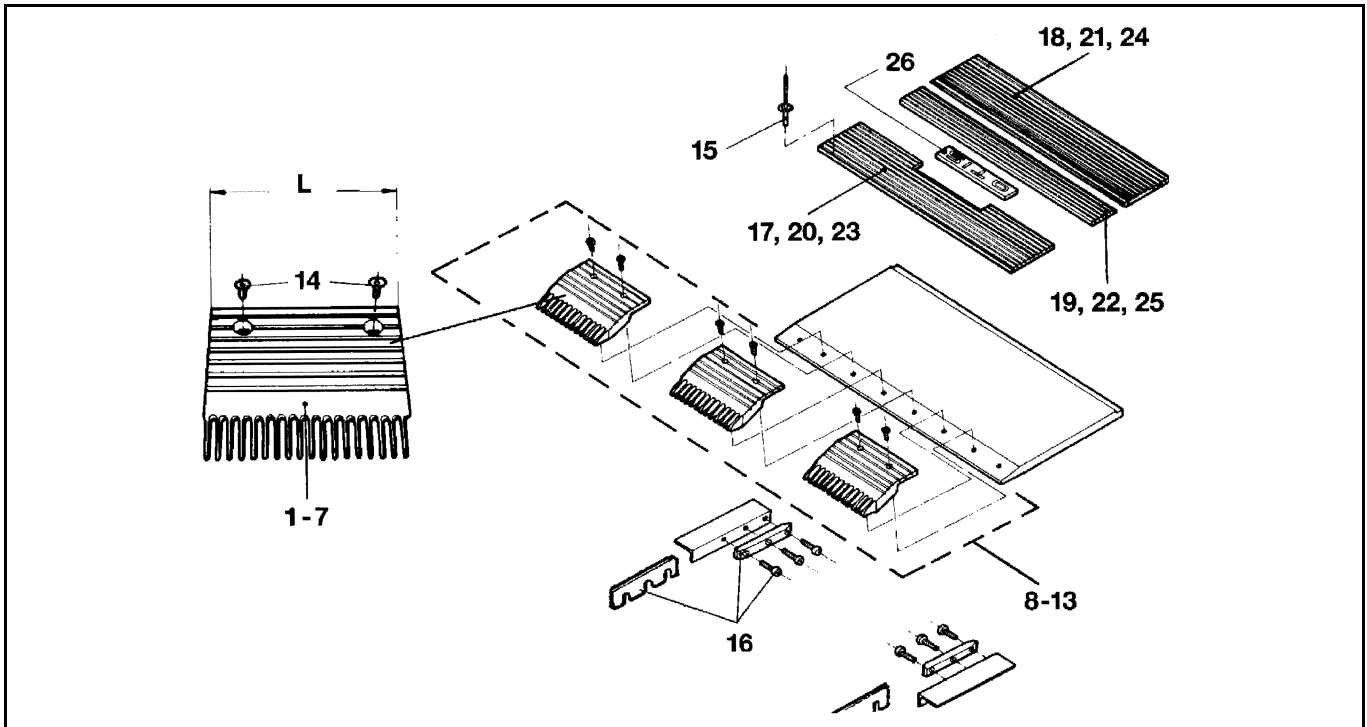
If you have any suggestions about this document, please contact the subject matter expert listed on this page.

Comb and Floor Plate Upper Landing Otis 606

56-UT2141-NSAA



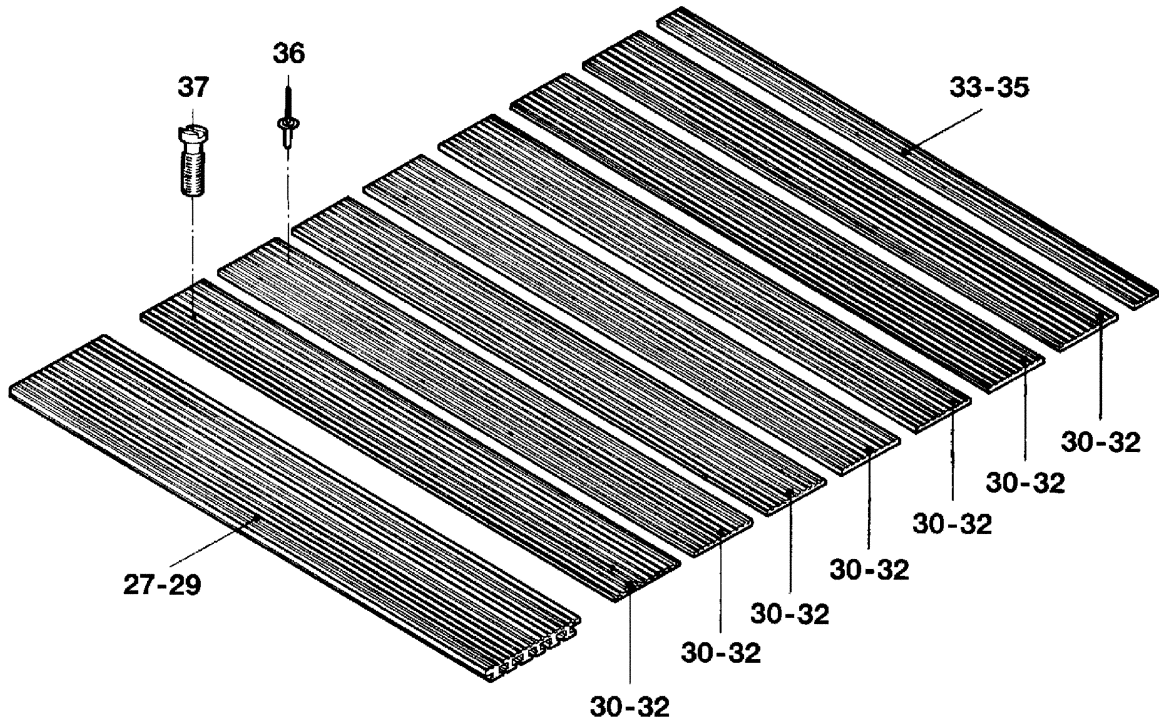
Comb and Floor Plate Upper Landing Otis 606



	VINTAGE G. 01	VINTAGE G. 02		
REF. No.	PART No.	PART No.	DESCRIPTION	TYPE
1	GO453D1		Comb L = 203,184, 24 Teeth	
2	GO453D2		Comb L = 194,718, 23 Teeth	
3	GO453AG4	GOA453AG1	Comb L = 152,355, 18 Teeth	
4	GO453AG4	GOA453AG4	Comb L = 145,904, 17 Teeth	
5	GO453AG10	GOA453AG10	Comb L = 126,945, 15 Teeth	
6	GO453AG11	GOA453AG11	Comb L = 152,355, 18 Teeth	
7	GO453AG12	GOA453AG12	Comb L = 145,904, 17 Teeth	
8	GO453G28		Comb Compl.	600
9	GO453G29		Comb Compl.	800
10	GO453G30		Comb Compl.	1000
11	GO453G31		Comb Compl.	600
12	GO453G32		Comb Compl.	800
13	GO453G33		Comb Compl.	1000
14	GO2215W42		GO2215T7 Fastening Parts	
15			Blind Rivet 3.2x25 Fastening Parts	
16	GO2215T6		Guide &	
17	GO457CL1		Shape	600
18	GO457CL4		Shape	
19	GO457CL7		Shape	
20	GO457CL2		Shape	800
21	GO457CL5		Shape	
22	GO457CL8		Shape	

Comb and Floor Plate Upper Landing Otis 606

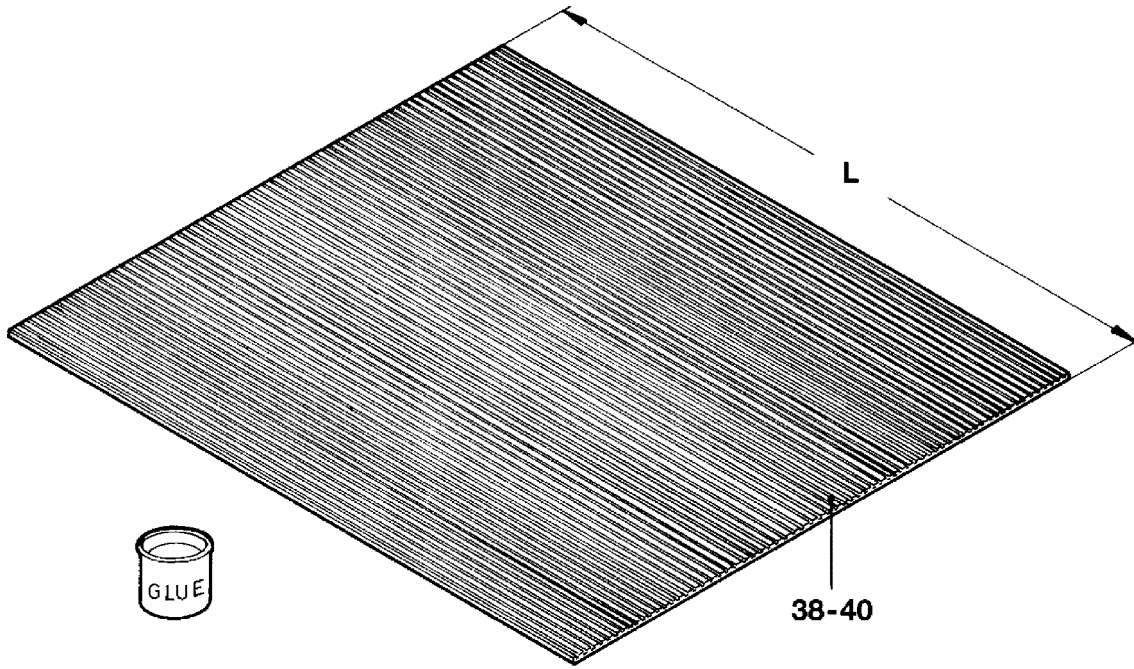
56-UT2141-NSAA







**VINTAGE G. 01
& G. 02**

REF. No.	PART No.	DESCRIPTION	TYPE
23	GO457CL3	Shape	1000
24	GO457CL6	Shape	
25	GO457CL9	Shape	
26	GO102KJ1	Plate	
27	GO457CN1	Shape	600
28	GO457CN2	Shape	800
29	GO457CN3	Shape	1000
30	GO457CL10	Shape	600
31	GO457CL11	Shape	800
32	GO457CL12	Shape	1000
33	GO457CL13	Shape	600
34	GO457CL14	Shape	800
35	GO457CL15	Shape	1000
36	GO2215W42	Blind Rivet 3.2x10, 3.2x15 Fastening Parts	
37	GOA112C1	Filister Head Screw, Stainless Steel	

**Comb and Floor Plate
Upper Landing Otis 606**



**VINTAGE G. 01
& G. 02**

REF. No.	PART No.	DESCRIPTION	TYPE
38	GO2215W41	Rubber Coating, L = 1200 mm 	600
39		Rubber Coating, L = 1400 mm 	800
40		Rubber Coating, L = 1600 mm 	1000
		 on the job site	