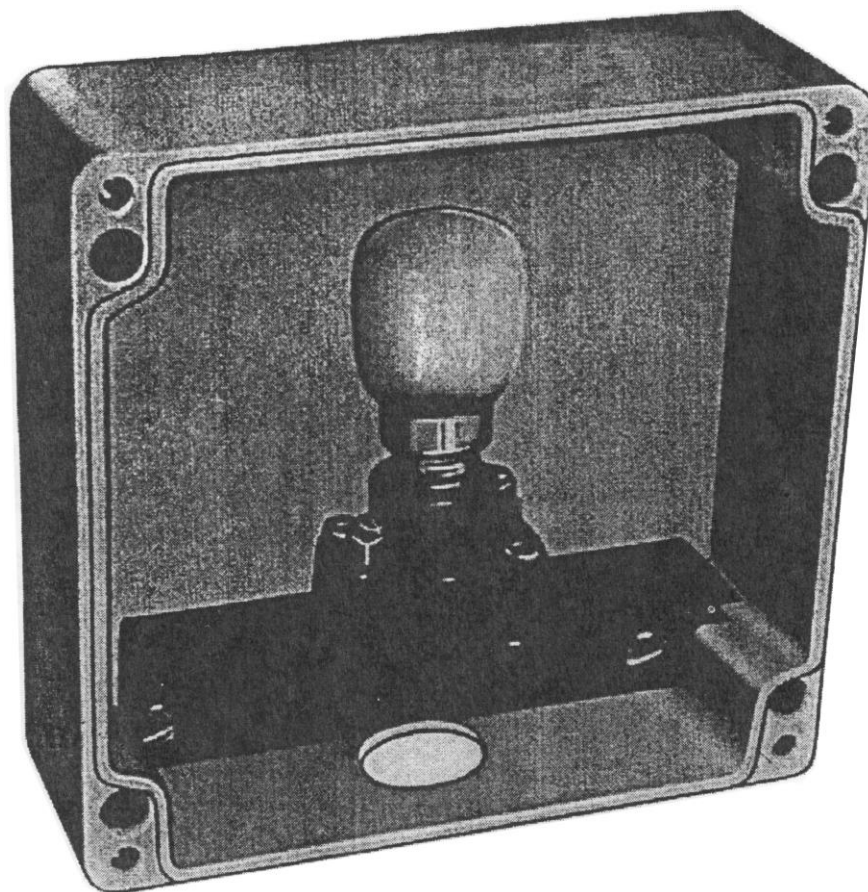


Under-Step Lighting: Comb Lighting

Spare Parts Leaflet

56-YX9701EK

August 25, 2005 / Page 1 of 3



Unpublished Work—©Otis Elevator Co.; 2005

OTIS

Safety First!

SERVICE ENGINEERING

Otis Elevator Company

Bloomfield, Connecticut USA

Leaflet Description

This leaflet defines the replacement parts for comb lighting and step demarcation lighting for the 506SL model escalators.

Leaflet Revisions

Date Revised	Subject Matter Expert	Reason for Revision
July 1997	---	New SPL.
August 25, 2005	Tom Charney	Removed 56-GO9703AY reference from title label; corrected part no. on page 3.

Related Drawings

Drawing No.	Title	Drawing No.	Title
---	---	---	---

Related Documents

Document ID	Title
---	---
---	---

Subject Matter Expert

Name	Department
Tom Charney	OSC Service Engineering

About Spare Parts Leaflets...

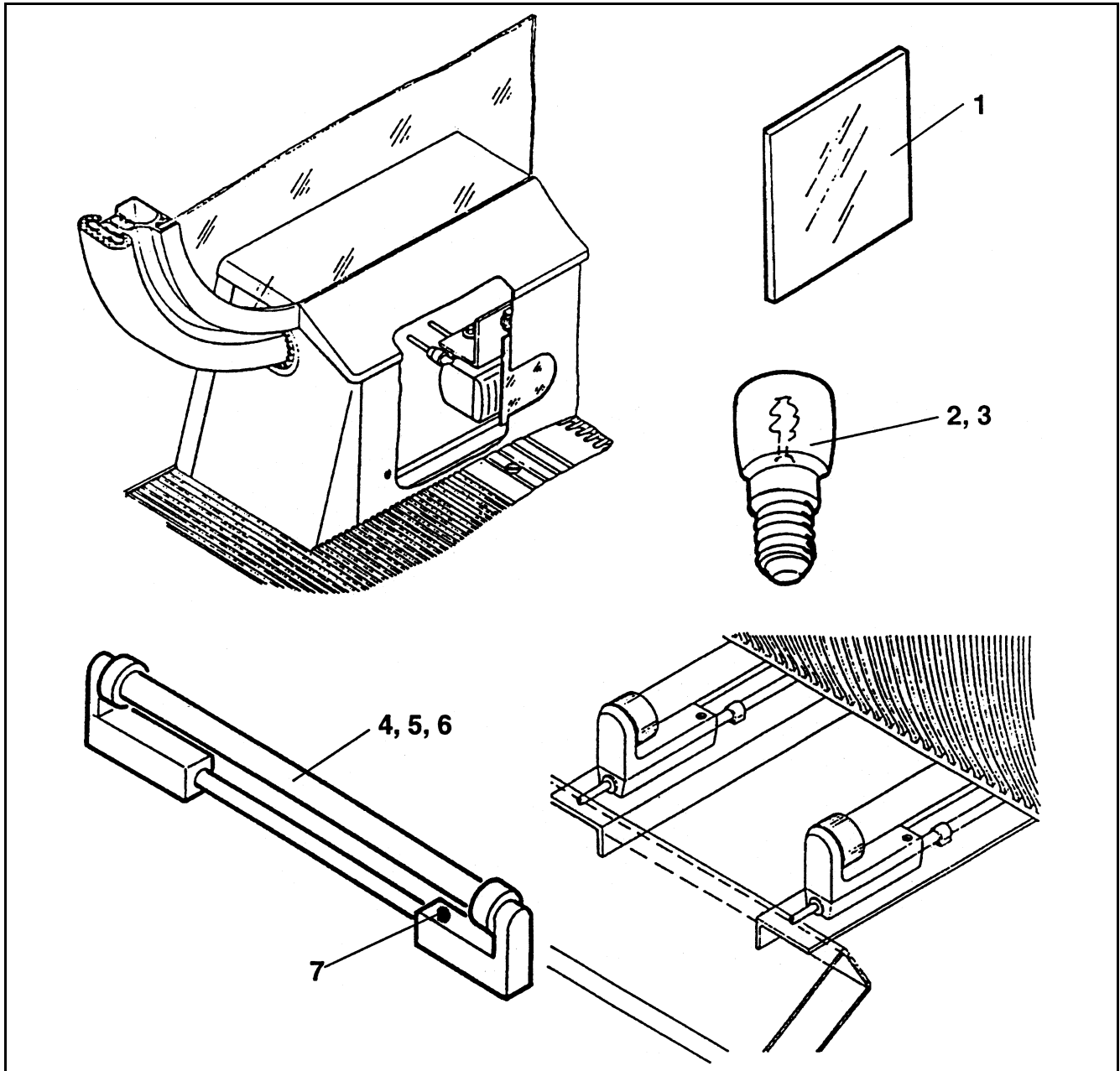
This document lists the lowest replaceable units (LRUs) for the standard version of the product. The LRUs are chosen by a team of Otis associates representing engineering and manufacturing.

While goal of this document is to make parts identification as easy as possible, the document cannot be all-inclusive. Elevator and escalator contracts classified as "special" or "custom" are not addressed here. For such contracts, please refer to specified information, the contract folder, TIPs, Field Education Articles, Construction Letters, etc. for further information.

If you have any suggestions about this document, please contact the subject matter expert listed on this page.

Under-Step Lighting: Comb Lighting

56-YX9701EK



REF. No.	PART No.	DESCRIPTION
1	GO386ARW3	Lens
2	GX6599D513	Bulb, 220 V, 15 W
3	GX6599D512	Bulb, 110 V
4	129-809	Fluorescent Lamp TLD 20/17GRU (green)
5	460-78	Lamp 5LS2091-110V, 60 Hz-20 W (fixture)
6	5LS2181-1AG	Clear Glass Sleeve Cover for Bulb
7	VP-877730	Starter for Fluorescent Light (OSRAM ST 151)