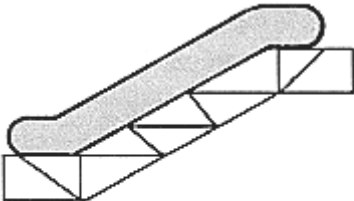


SPL 56-YX9703HJ - Upper Landing Comb & Floor Plate, Otis 506 Slimline - NAO

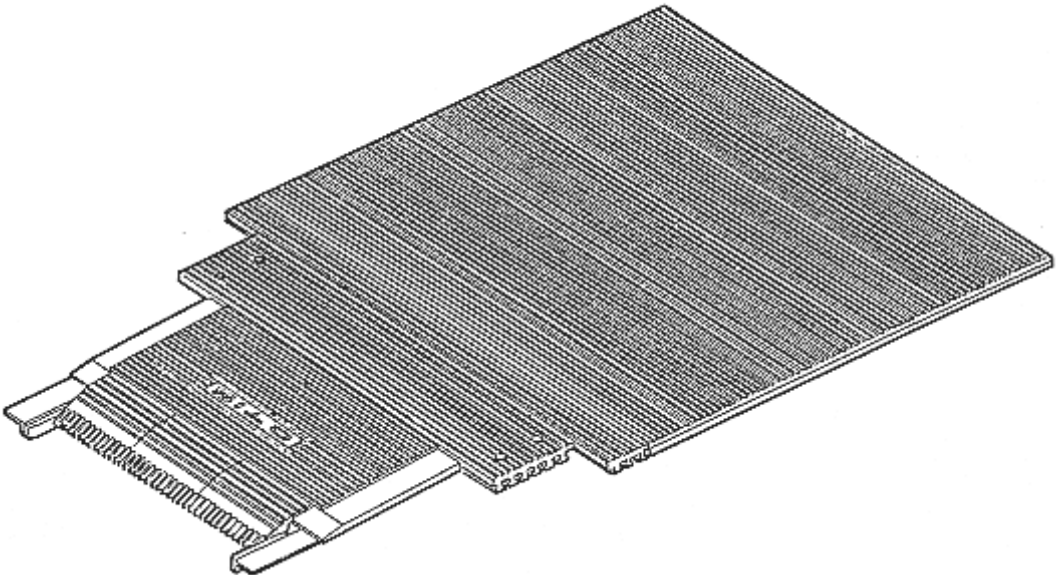
Unpublished Work - © Otis Elevator Company. Any unauthorized reproduction, disclosure, or distribution of copies or content by any person of any portion of this work may be a violation of Copyright Law of the United States of America. All rights reserved.

July 1989

Page 1

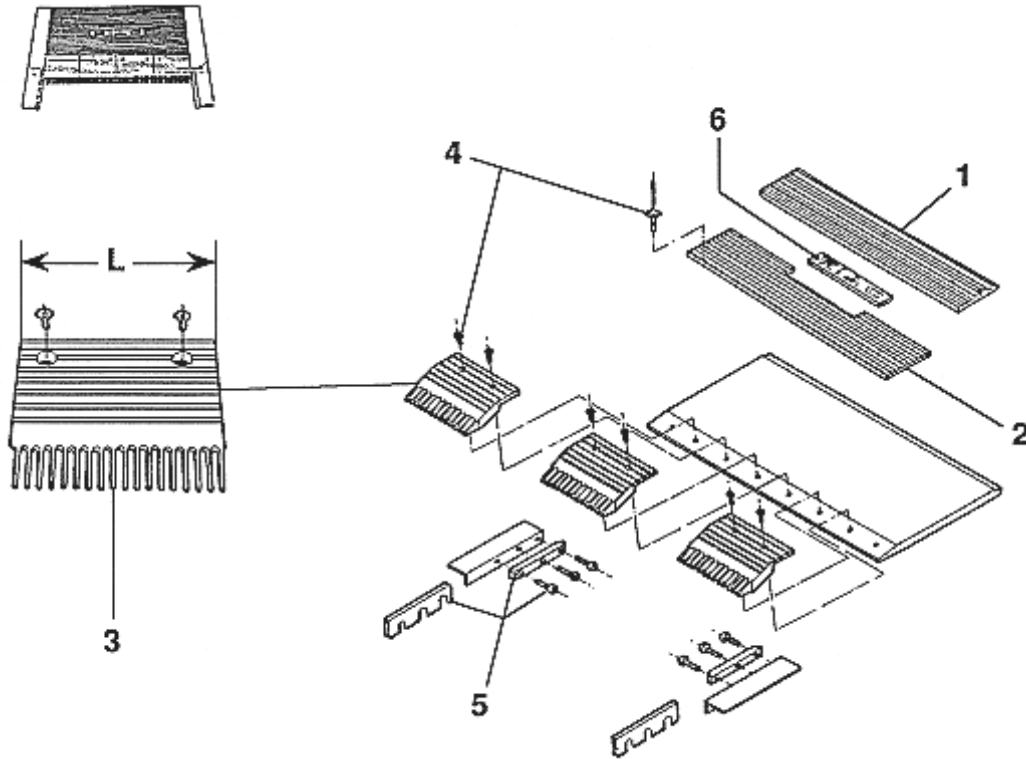


CONTRACT NO. _____		TYPE _____	WEAR _____	 LIFTING SYSTEMS DIVISION	
ADDRESS: _____ PHONE: _____					
CONTROLLER	10	<input type="checkbox"/>	TENSION CARRIAGE	5M	<input type="checkbox"/>
QUICK CHECK	10	<input type="checkbox"/>	STOP CHAIN	5M	<input type="checkbox"/>
INSPECTION DEVICE	10	<input type="checkbox"/>	HANDRAIL DRIVE	5M	<input type="checkbox"/>
STOP BUTTON	25	<input type="checkbox"/>	HANDRAIL ENTRY DEVICE	5M	<input type="checkbox"/>
LUBRICATION SYSTEM	50	<input type="checkbox"/>	FLOORPLATE LOW LOG	5M	<input type="checkbox"/>
DRIVE CHAINS	50	<input type="checkbox"/>	FLOORPLATE LOW LOG	5M	<input type="checkbox"/>
MANDRI DRIVE	50	<input type="checkbox"/>	BALLSTRAP	5M	<input type="checkbox"/>
MANDRI 2-WAY DRIVE	50	<input type="checkbox"/>	SWIFT PANEL	5M	<input type="checkbox"/>
DEMARCATION LIGHTS	50	<input type="checkbox"/>	FLUORESCENT LAMP	5M	<input type="checkbox"/>
HANDRAIL TYPE: _____ LENGTH: _____ MAX. CATCH: _____					
BALLSTRAP: PITCH _____					



SPL 56-YX9703HJ - Upper Landing Comb & Floor Plate, Otis 506 Slimline - NAO

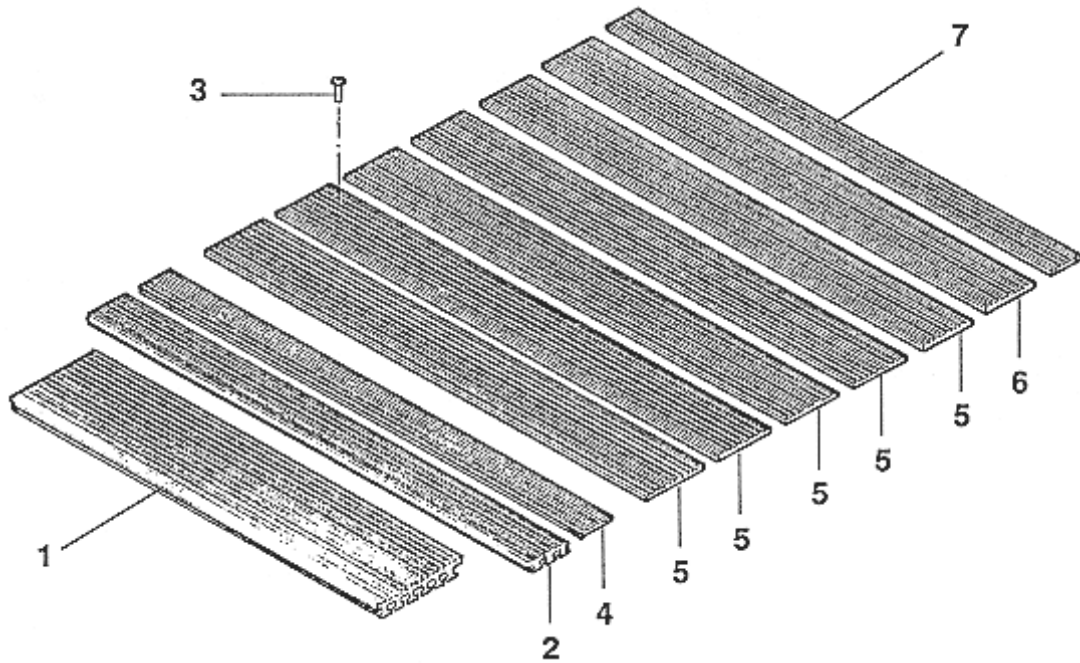
Page 2



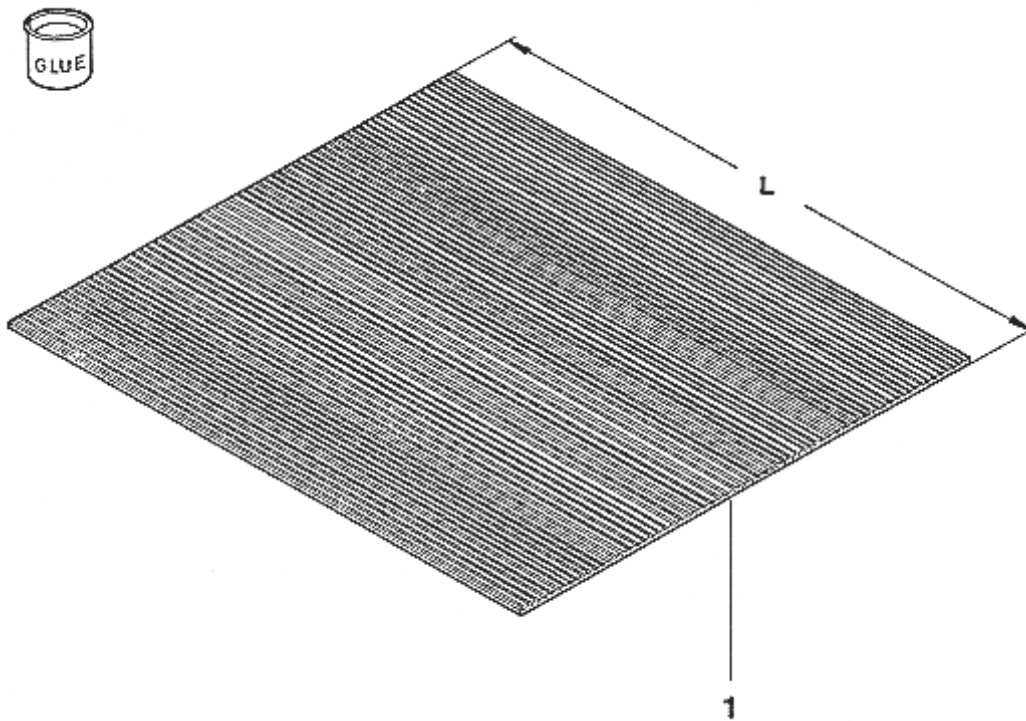
VINTAGE R 01			
REF. No.	PART OR ML	DESCRIPTION	TYPE
1	YYGO457CL62	Shape	600
	YYGO457CL63		800
	YYGO457CL64		1000
2	YYGO457CL92	Shape	600
	YYGO457CL93		800
	YYGO457CL94		1000
3	GO453D6	Comb L = 197,994 23 Teeth	
	GO453D1	Comb L = 203,184 24 Teeth	
	GO453D5	Comb L = 206,39 24 Teeth	
4	2700CBJ1	Fastening Parts, (6) Screws, DIN7991 M6x12, (6) Rivets, RIV CAT0317-3225,	
5	2700CBJ2	Guide and Hardware: (1) GO385BL1, Nylon Guide, (3) DIN84 M6x16 Screw, (5) GO255ES1 Shims	
6	GO102KJ1	Name Plate	

SPL 56-YX9703HJ - Upper Landing Comb & Floor Plate, Otis 506 Slimline - NAO

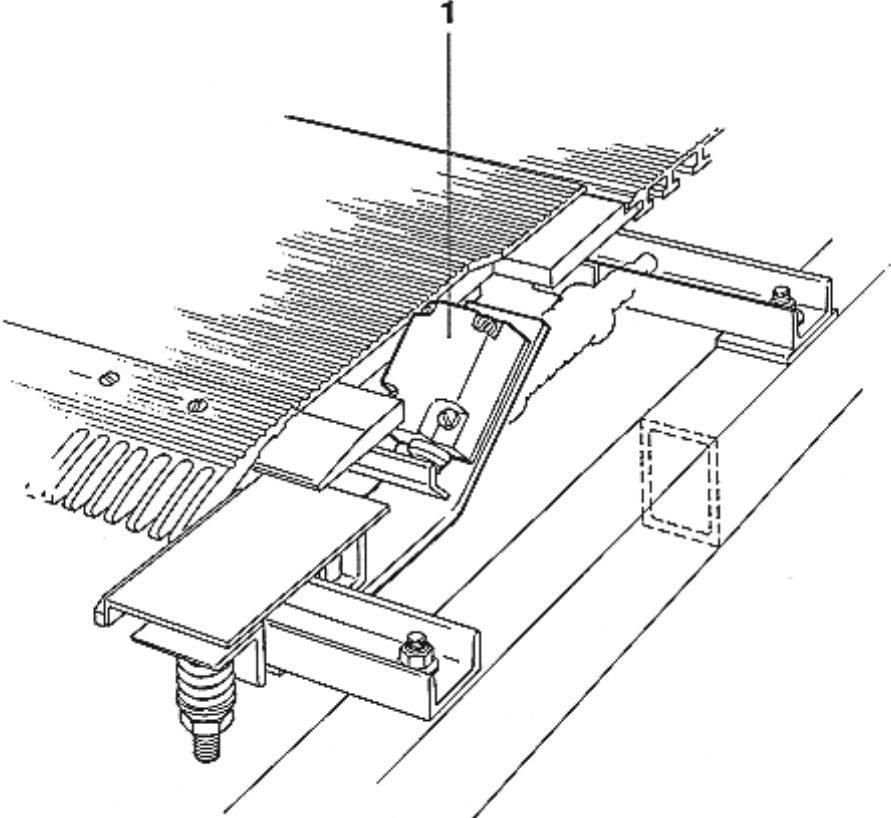
Page 3



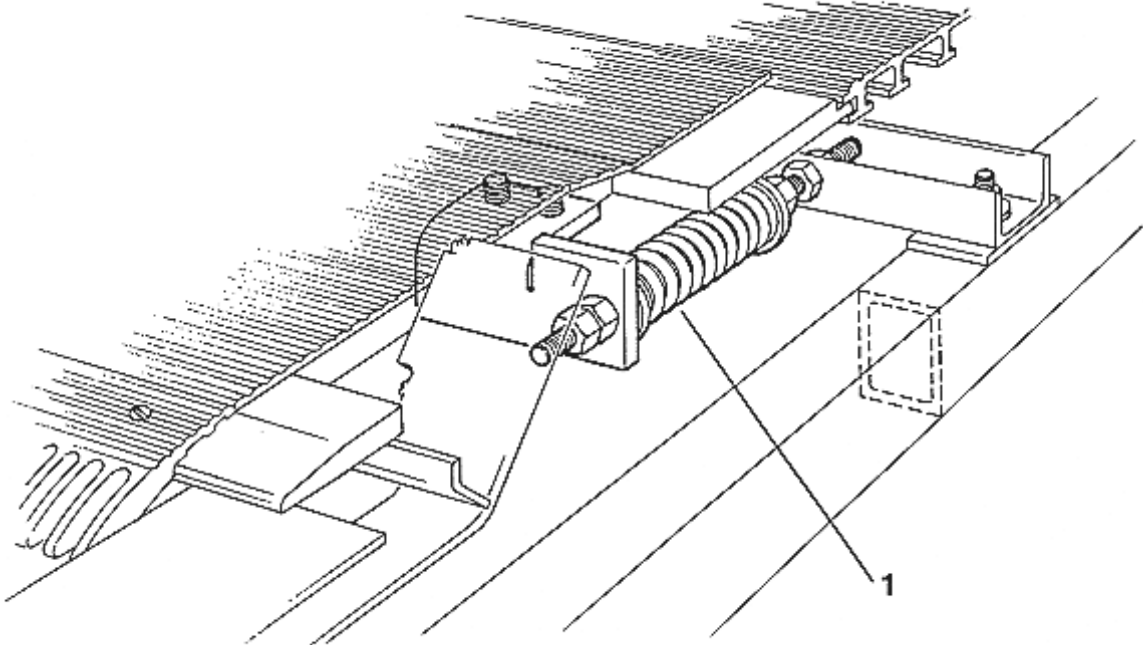
VINTAGE R 01			
REF. No.	PART OR ML	DESCRIPTION	TYPE
1	YYGO457CN18	Floor Plate	600
	YYGO457CN19		800
	YYGO457CN20		1000
2	YYGO457CN21		600
	YYGO457CN22		800
	YYGO457CN23		1000
3	RIVAL3.2x11	Rivet	
4	YYGO457CL41		600
	YYGO457CL42		800
	YYGO457CL43		1000
5	YYGO457CL44		600
	YYGO457CL45		800
	YYGO457CL46		Shape
6	YYGO457CL56		600
	YYGO457CL57		800
	YYGO457CL58		1000
7	YYGO457CL59		600
	YYGO457CL60		800
	YYGO457CL61		1000



VINTAGE R 01			
REF. No.	PART OR ML	DESCRIPTION	TYPE
1	YYGO457CD4	Rubber Coating L = 1091 To be cut according to the dimensions	600
	YYGO457CD5	Rubber Coating L = 1294 To be cut according to the dimensions	800
	YYGO457CD6	Rubber Coating L = 1497 To be cut according to the dimensions	1000
Glue On Job Site			



	VINTAGE R 01	
REF. No.	PART OR ML	DESCRIPTION
1	GO177AG1	Switch, Combplate Contact (RCSU, LCSU)



	VINTAGE R 01	
REF. No.	PART OR ML	DESCRIPTION
1	GO90AE1	Spring