

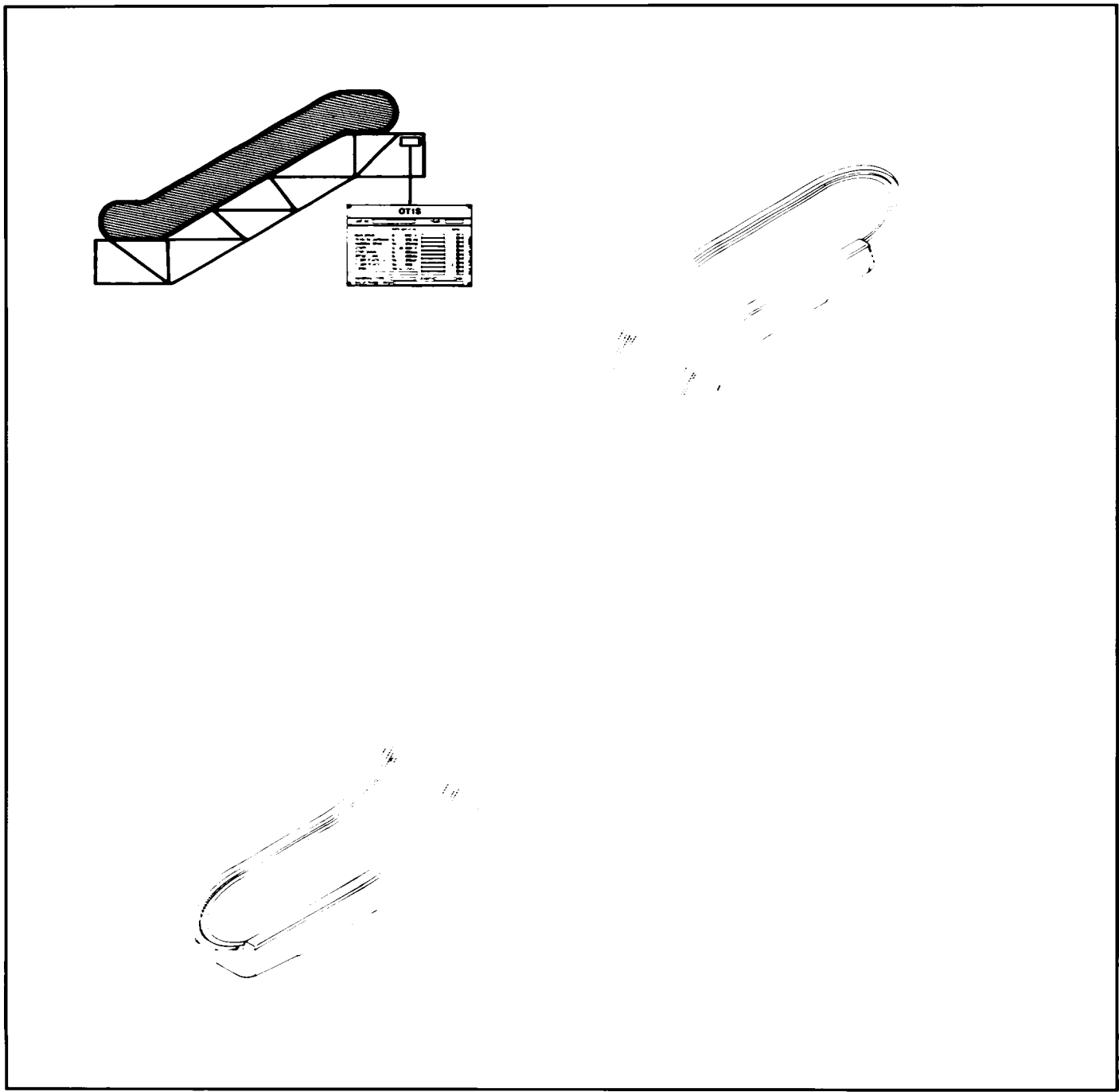
Parts Leaflet

ESCALATOR SKIRT PANELS

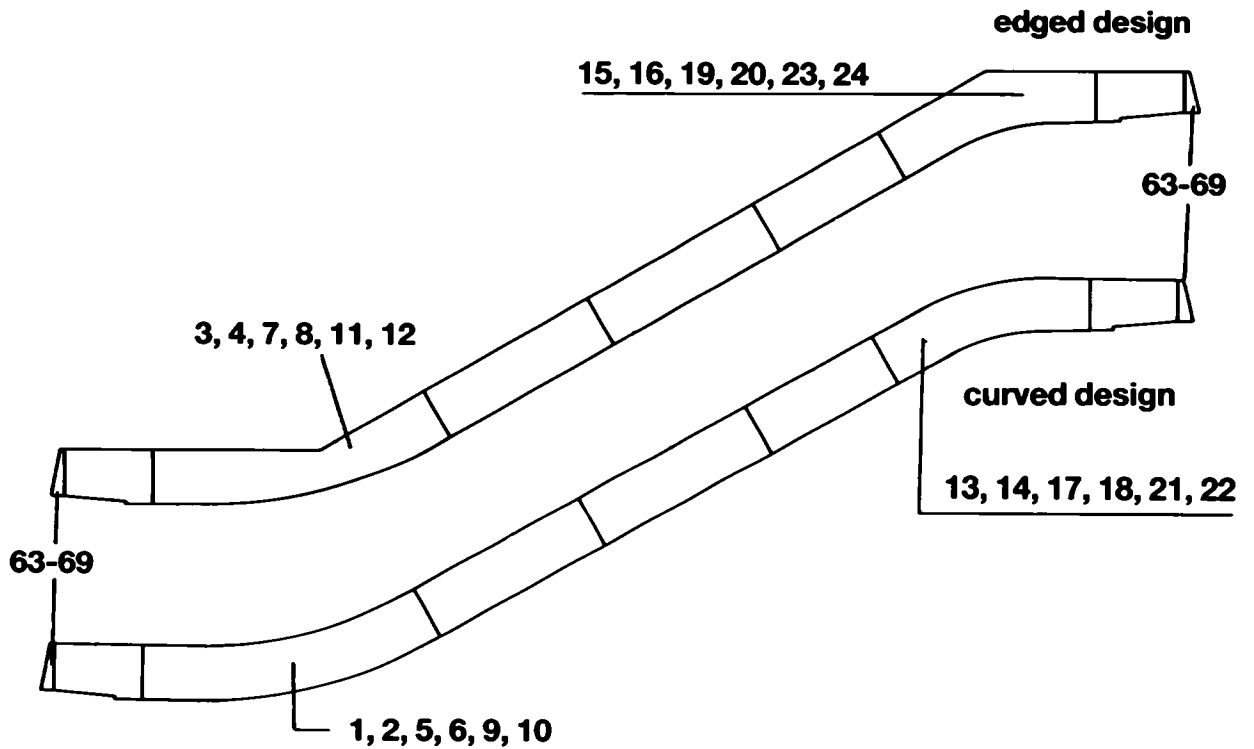
506 STAINLESS STEEL G2

57-GO 9703 BD

* 57- 9703 AK

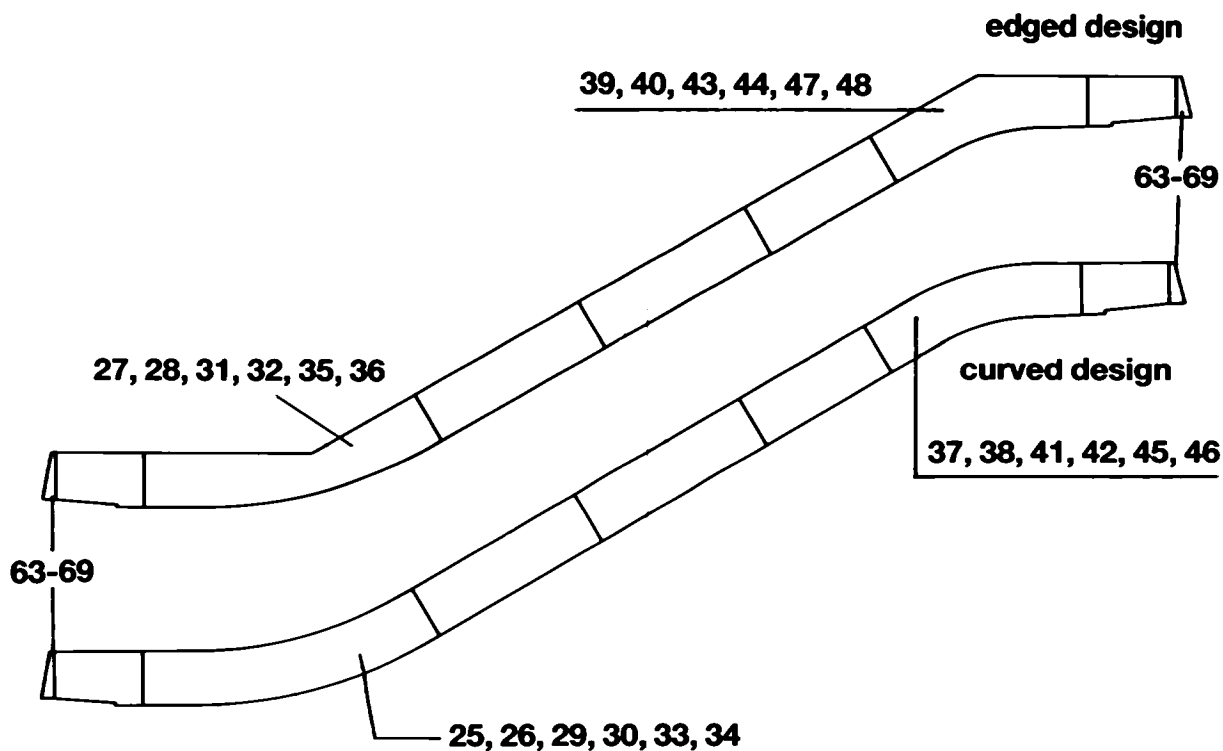


OTIS



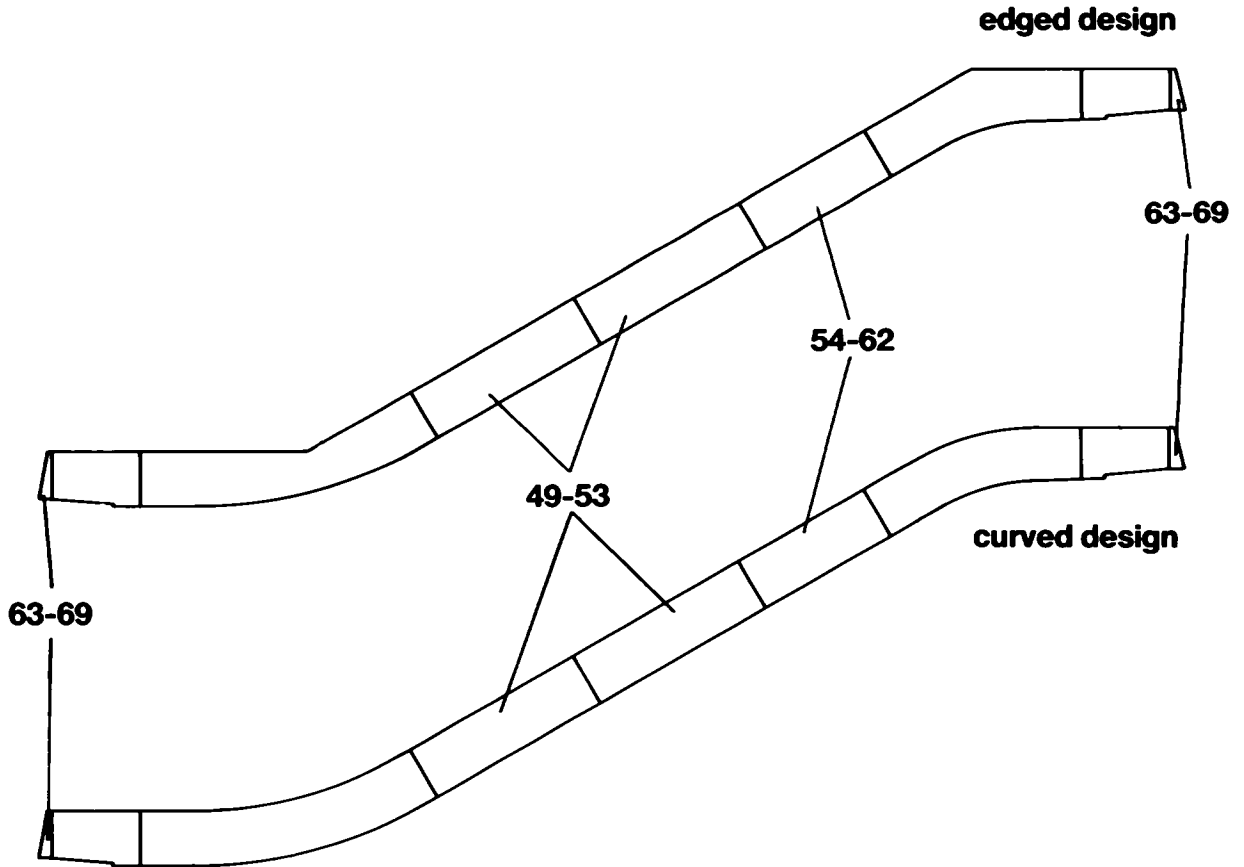
VINTAGE G. 01

REF. N°	PART OR M.L.	DESCRIPTION					
1	GO 438 AJA 17	Skirt-Panel	☞	curved design	ST ST weather-protected with Isotrep	lower landing	30°
2	GO 438 AJA 18	Skirt-Panel	☞	edged design			
3	GO 438 AJA 19	Skirt-Panel	☞	edged design			
4	GO 438 AJA 20	Skirt-Panel	☞	curved design			
5	GO 438 AJA 21	Skirt-Panel	☞	curved design	ST ST		
6	GO 438 AJA 22	Skirt-Panel	☞	edged design			
7	GO 438 AJA 23	Skirt-Panel	☞	edged design			
8	GO 438 AJA 24	Skirt-Panel	☞	curved design			
9	GO 438 AJA 25	Skirt-Panel	☞	curved design	ST ST weather-protected w/o Isotrep		
10	GO 438 AJA 26	Skirt-Panel	☞	edged design			
11	GO 438 AJA 27	Skirt-Panel	☞	edged design			
12	GO 438 AJA 28	Skirt-Panel	☞	curved design			
13	GO 438 AJB 17	Skirt-Panel	☞	curved design	ST ST weather-protected with Isotrep	upper landing	
14	GO 438 AJB 18	Skirt-Panel	☞	edged design			
15	GO 438 AJB 19	Skirt-Panel	☞	edged design			
16	GO 438 AJB 20	Skirt-Panel	☞	curved design			
17	GO 438 AJB 21	Skirt-Panel	☞	curved design	ST ST		
18	GO 438 AJB 22	Skirt-Panel	☞	edged design			
19	GO 438 AJB 23	Skirt-Panel	☞	edged design			
20	GO 438 AJB 24	Skirt-Panel	☞	curved design			
21	GO 438 AJB 25	Skirt-Panel	☞	curved design	ST ST weather-protected w/o Isotrep		
22	GO 438 AJB 26	Skirt-Panel	☞	edged design			
23	GO 438 AJB 27	Skirt-Panel	☞	edged design			
24	GO 438 AJB 28	Skirt-Panel	☞	edged design			



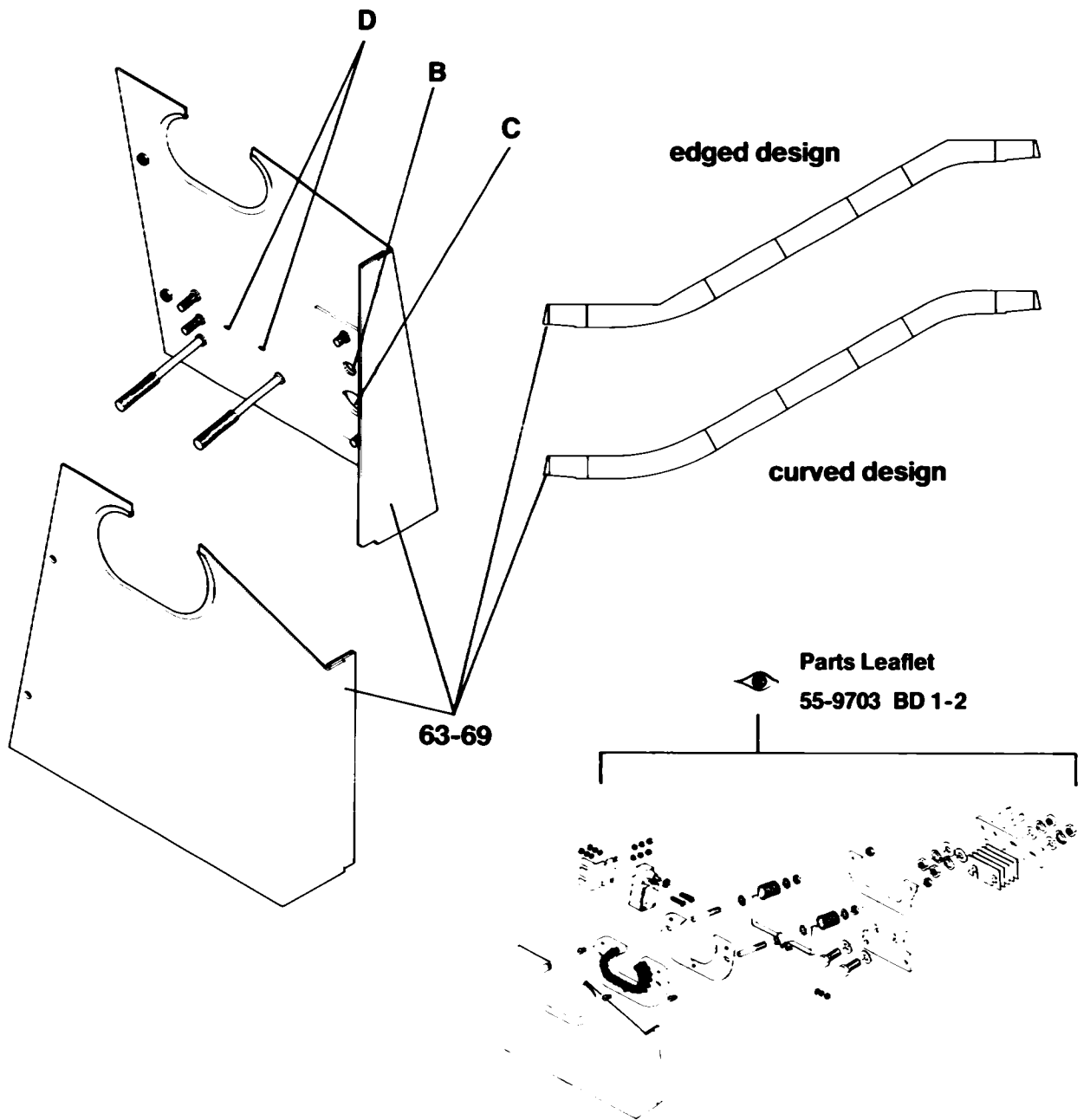
VINTAGE G. 01

REF. N°	PART OR M.L.	DESCRIPTION					
25	GO 438 AJC 17	Skirt-Panel	☞	curved design	ST ST weather-protected with Isotrep	lower landing	35°
26	GO 438 AJC 18	Skirt-Panel	☞	curved design			
27	GO 438 AJC 19	Skirt-Panel	☞	edged design	ST ST		
28	GO 438 AJC 20	Skirt-Panel	☞	edged design			
29	GO 438 AJC 21	Skirt-Panel	☞	curved design	ST ST weather-protected w/o Isotrep		
30	GO 438 AJC 22	Skirt-Panel	☞	curved design			
31	GO 438 AJC 23	Skirt-Panel	☞	edged design	ST ST		
32	GO 438 AJC 24	Skirt-Panel	☞	edged design			
33	GO 438 AJC 25	Skirt-Panel	☞	curved design	ST ST weather-protected with Isotrep		
34	GO 438 AJC 26	Skirt-Panel	☞	curved design			
35	GO 438 AJC 27	Skirt-Panel	☞	edged design	ST ST weather-protected with Isotrep		
36	GO 438 AJC 28	Skirt-Panel	☞	edged design			
37	GO 438 AJD 17	Skirt-Panel	☞	curved design	ST ST weather-protected with Isotrep	upper landing	
38	GO 438 AJD 18	Skirt-Panel	☞	curved design			
39	GO 438 AJD 19	Skirt-Panel	☞	edged design	ST ST		
40	GO 438 AJD 20	Skirt-Panel	☞	edged design			
41	GO 438 AJD 21	Skirt-Panel	☞	curved design	ST ST		
42	GO 438 AJD 22	Skirt-Panel	☞	curved design			
43	GO 438 AJD 23	Skirt-Panel	☞	edged design	ST ST weather-protected w/o Isotrep		
44	GO 438 AJD 24	Skirt-Panel	☞	edged design			
45	GO 438 AJD 25	Skirt-Panel	☞	curved design	ST ST weather-protected with Isotrep		
46	GO 438 AJD 26	Skirt-Panel	☞	curved design			
47	GO 438 AJD 27	Skirt-Panel	☞	edged design	ST ST weather-protected w/o Isotrep		
48	GO 438 AJD 28	Skirt-Panel	☞	edged design			

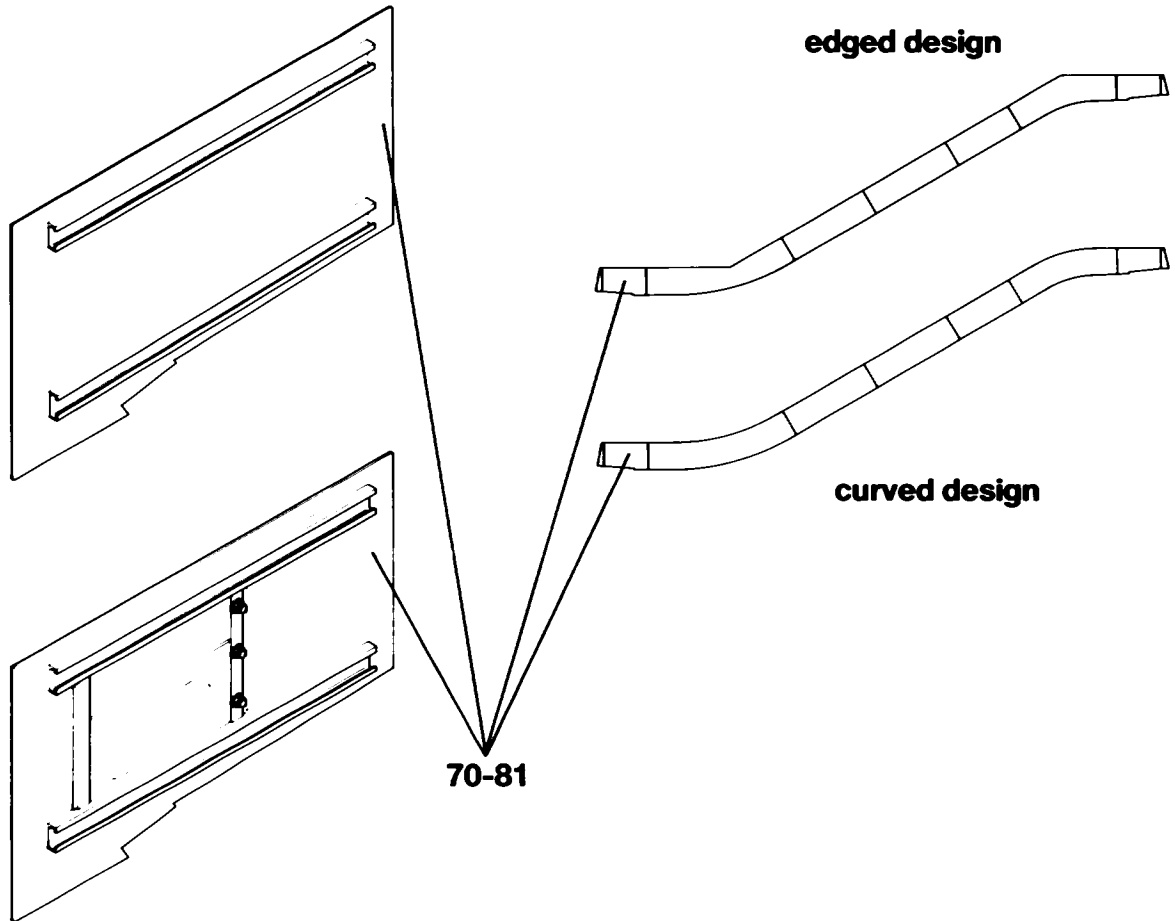


VINTAGE G. 01

REF. N°	PART OR M.L.	DESCRIPTION			
49	GO 438 AFM 24	Skirt-Panel	1480 mm	inclined section	
50	GO 438 AFM 25	Skirt-Panel			ST ST
51	GO 438 AFM 26	Skirt-Panel			ST ST wpr. w. Isotrep
52	GO 438 AFM 27	Skirt-Panel			ST ST wpr. w/o Isotrep
53	GO 438 AFM 28	Skirt-Panel			ST ST weather-protected with Isotrep
54	GO 438 AFM-V 19	Skirt-Panel 600-1000 mm	ST ST	inclined section	
55	GO 438 AFM-V 20	Skirt-Panel 1001-1450 mm			
56	GO 438 AFM-V 21	Skirt-Panel 1481-2050 mm			
57	GO 438 AFM-V 22	Skirt-Panel 600-1000 mm	ST ST weather-protected w/o Isotrep		
58	GO 438 AFM-V 23	Skirt-Panel 1001-1450 mm			
59	GO 438 AFM-V 24	Skirt-Panel 1481-2050 mm			
60	GO 438 AFM-V 25	Skirt-Panel 600-1000 mm	ST ST		
61	GO 438 AFM-V 26	Skirt-Panel 1001-1450 mm			
62	GO 438 AFM-V 27	Skirt-Panel 1481-2050 mm			



VINTAGE G. 01						
REF. N°	PART OR M.L.	DESCRIPTION				
			B	C	D	
63	A 9703 AK 12	Kick-Plate	W/O	W/O	W/O	ST ST weather-protected with Isotrep
64	A 9703 AK 13	Kick-Plate	W	W	W/O	
65	A 9703 AK 14	Kick-Plate	W	W/O	W/O	
66	A 9703 AK 15	Kick-Plate	W/O	W/O	W/O	ST ST
67	A 9703 AK 16	Kick-Plate	W	W	W/O	
68	A 9703 AK 17	Kick-Plate	W/O	W/O	W/O	ST ST wpr. w/o Isotr.
69	A 9703 AK 18	Kick-Plate	W	W	W/O	



VINTAGE G. 01

REF. N°	PART OR M.L.	DESCRIPTION			
70	GO 9703 BD 9	Skirt-Panel	☹	W hole	ST ST wpr. w. Isotrep
71	GO 9703 BD 10	Skirt-Panel	☹		ST ST
72	GO 9703 BD 11	Skirt-Panel	☹		ST ST wpr. w/o Isotrep
73	GO 9703 BD 12	Skirt-Panel	☹		ST ST wpr. w/o Isotrep
74	GO 9703 BD 13	Skirt-Panel	☹		ST ST
75	GO 9703 BD 14	Skirt-Panel	☹	W/O hole	ST ST wpr. w/o Isotrep
76	GO 438 AJY 23	Skirt-Panel	☹		ST ST
77	GO 438 AJY 24	Skirt-Panel	☹		ST ST
78	GO 438 AJY 21	Skirt-Panel	☹		ST ST wpr. w. Isotrep
79	GO 438 AJY 22	Skirt-Panel	☹		ST ST
80	GO 438 AJY 18	Skirt-Panel	☹		ST ST wpr. w. Isotrep
81	GO 438 AJY 19	Skirt-Panel	☹	ST ST wpr. w. Isotrep	