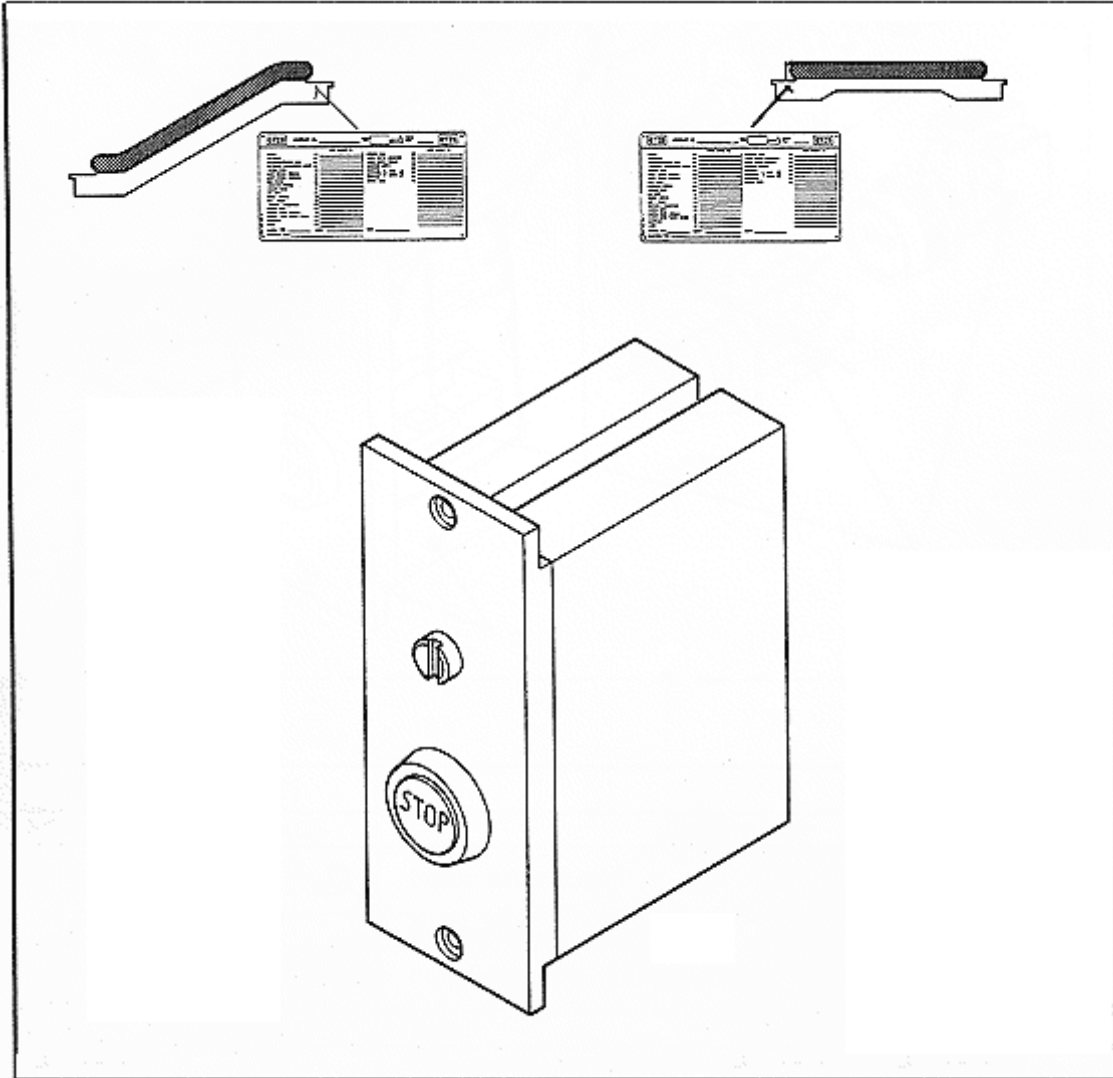


# SPL 57-9703BE - Travolator 606, Operating Panel, Escalator 506/510/516, Operating Panel

Unpublished Work - © Otis Elevator Company. Any unauthorized reproduction, disclosure, or distribution of copies or content by any person of any portion of this work may be a violation of Copyright Law of the United States of America. All rights reserved.

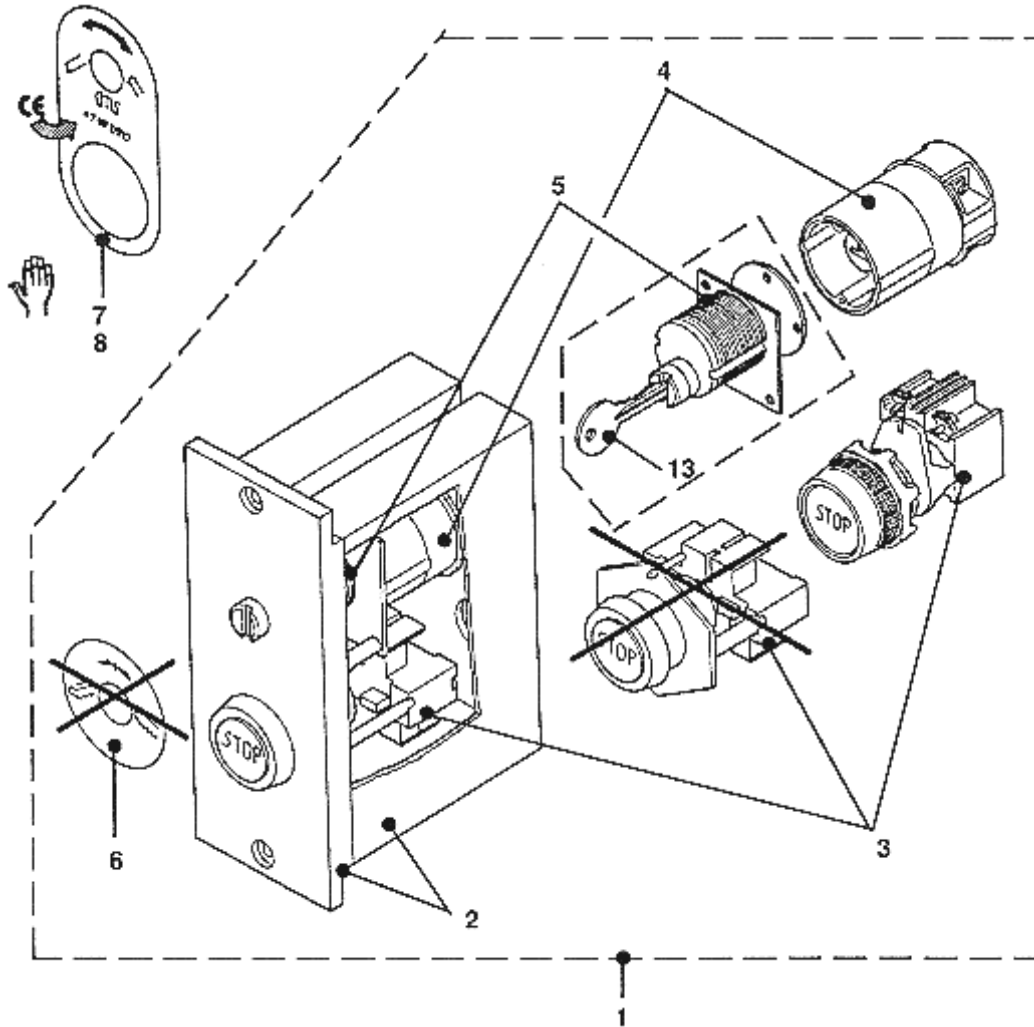
April 1995

Page 1



SPL 57-9703BE - Travolator 606, Operating Panel, Escalator 506/510/516, Operating Panel

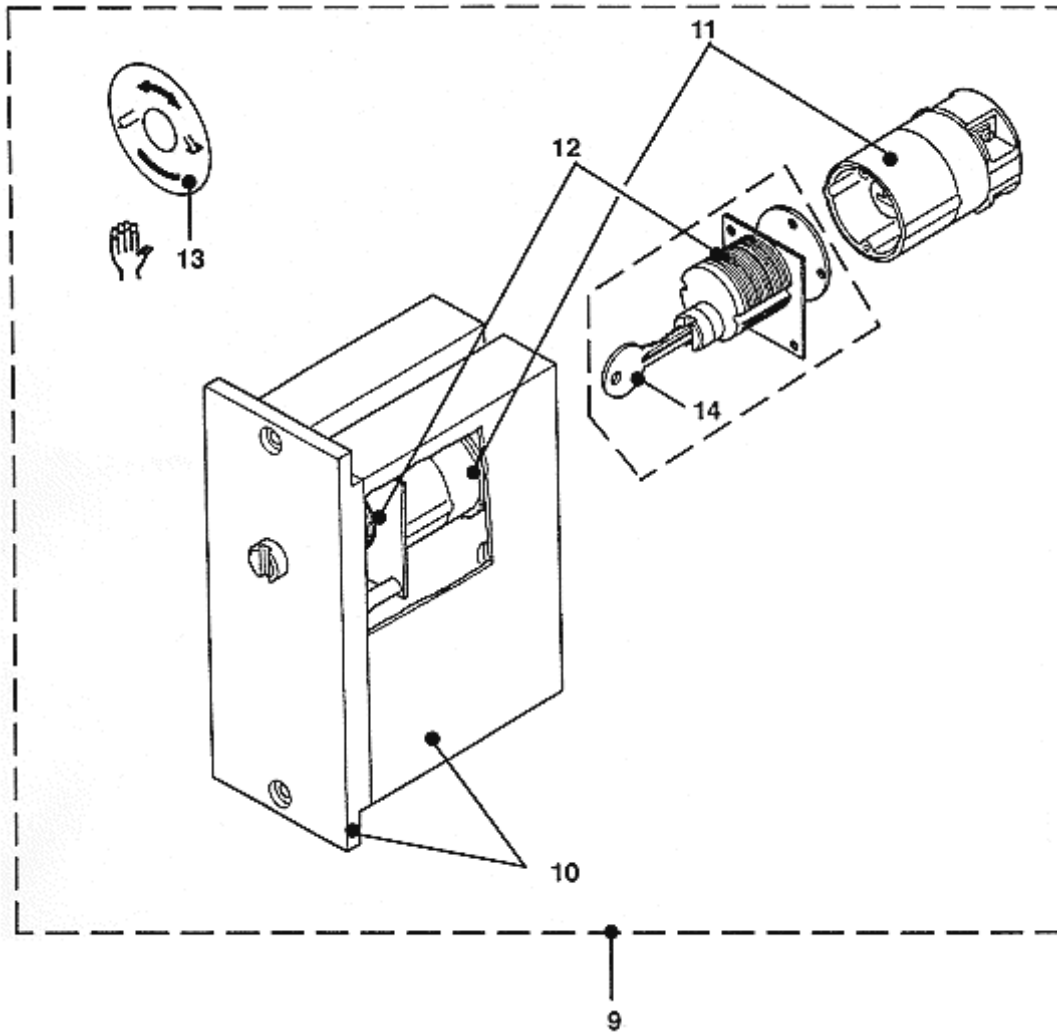
Page 2



VINTAGE G.01		
REF.NO.	PART OR ML	DESCRIPTION
1	9708BE4 A9703BE1 *	Button fixture compl.
2	GO308HA1	Compact box
3	<del>GO323AJ4</del> GOA323AJ1	Push button, red, marked "STOP"
4	GO177BN1	Switch
5	GO431BH1	Special lock, key operated
6	<del>GO402LD4</del>	
7	<del>GO402RT4</del> GOA102RT1	Self adhesive label w/ CE Sign
8	GOA102RT2	Self adhesive label w/o CE Sign

SPL 57-9703BE - Travolator 606, Operating Panel, Escalator 506/510/516, Operating Panel

Page 3



VINTAGE G.01		
REF.NO.	PART OR ML	DESCRIPTION
9	A9703BE2 *	Button fixture compl.
10	GO308HA2	Compact box
11	GO177BN1	Switch
12	GO431BH2	Special lock, key operated
13	GO102RV1	Self adhesive label
14	-----	Key OTIS ZM 686-1