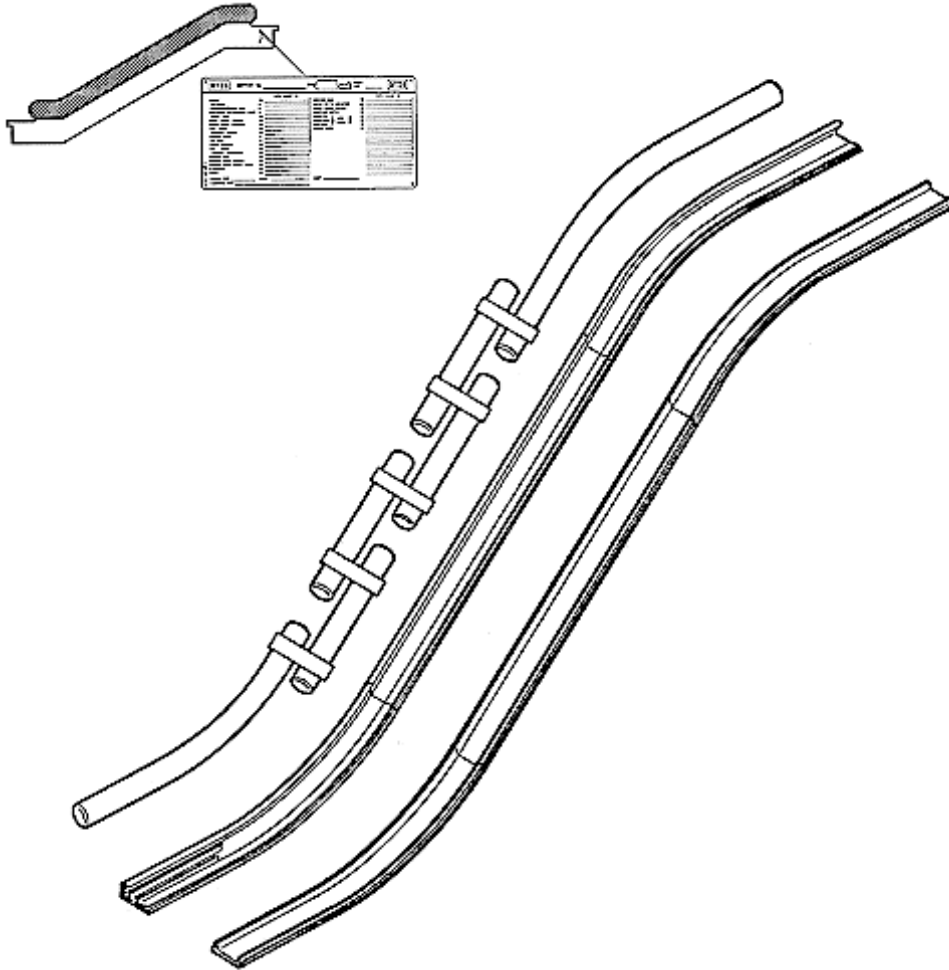


# SPL 57-9703BH - Escalator 506 Balustrade Lighting

Unpublished Work - © Otis Elevator Company. Any unauthorized reproduction, disclosure, or distribution of copies or content by any person of any portion of this work may be a violation of Copyright Law of the United States of America. All rights reserved.

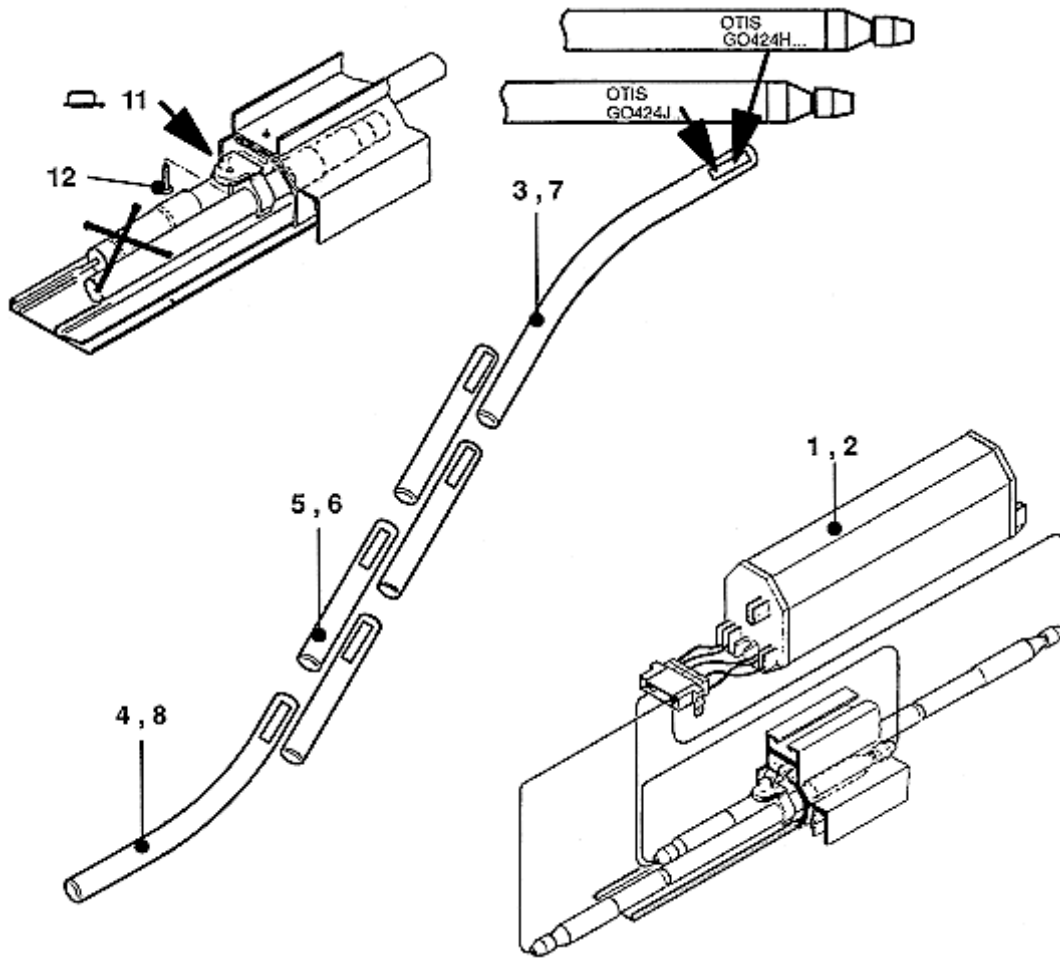
July 1994

Page 1



# SPL 57-9703BH - Escalator 506 Balustrade Lighting

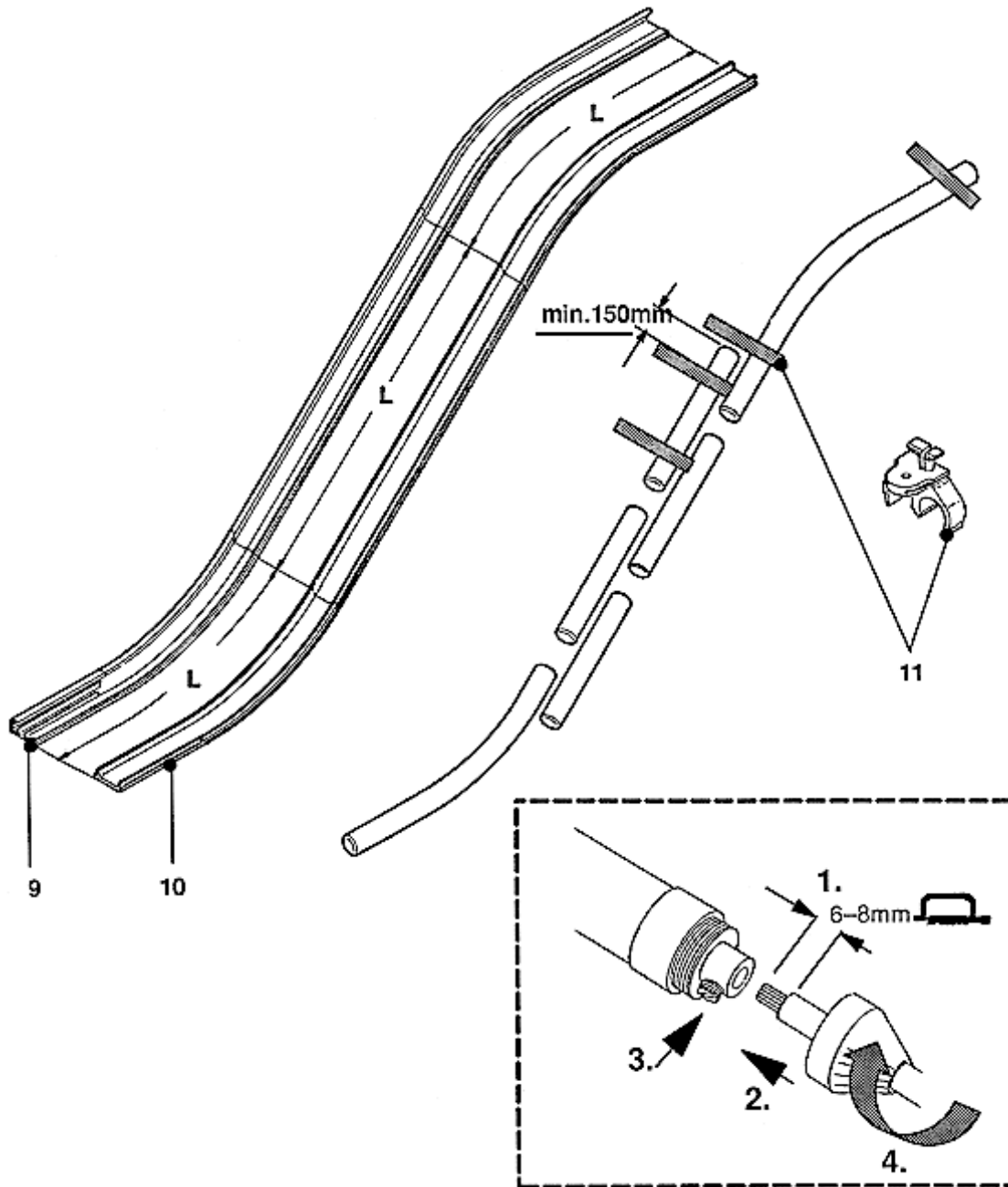
Page 2



VINTAGE G.01			
REF.NO.	PART OR ML	DESCRIPTION	
1	GOA225CV1	Transformer	50 Hz/l prim. = 0.55 A
2	GOA225CV2	Transformer	60 Hz/l Prim. = 0.6 A
3	GO424H1	Fluorescent lamp	upp. ldg.
	GOA424H1	Fluorescent lamp	upp. ldg.
4	GO424H2	Fluorescent lamp	low. ldg.
	GOA424H2	Fluorescent lamp	low. ldg.
5	GO424H3	Fluorescent lamp	Length = 1400 mm
	GOA424H3	Fluorescent lamp	Length = 1460 mm
6	GO424H4	Fluorescent lamp	Length = 1800 mm
	GOA424H4	Fluorescent lamp	Length = 1860 mm
7	GO424J1	Fluorescent lamp	
	GOA424J1	Fluorescent lamp	FOR ESCALATOR w 3 FLAT STEPS
8	GO424J2	Fluorescent lamp	
	GOA424J2	Fluorescent lamp	

# SPL 57-9703BH - Escalator 506 Balustrade Lighting

Page 3



VINTAGE G.01		
REF.NO.	PART OR ML	DESCRIPTION
9	1SGOC50ABF	Cover for balustrade stainless steel Length = mm To be cut according to the dimensions
10	1SGO50AAR6000	Cover for balustrade aluminium Length = mm To be cut according to the dimensions
11	GO180ABD1	Holder (2Holders for 1 Tube)
12	-----	Screw BM 4 X 35 DIN 7513 - 174706