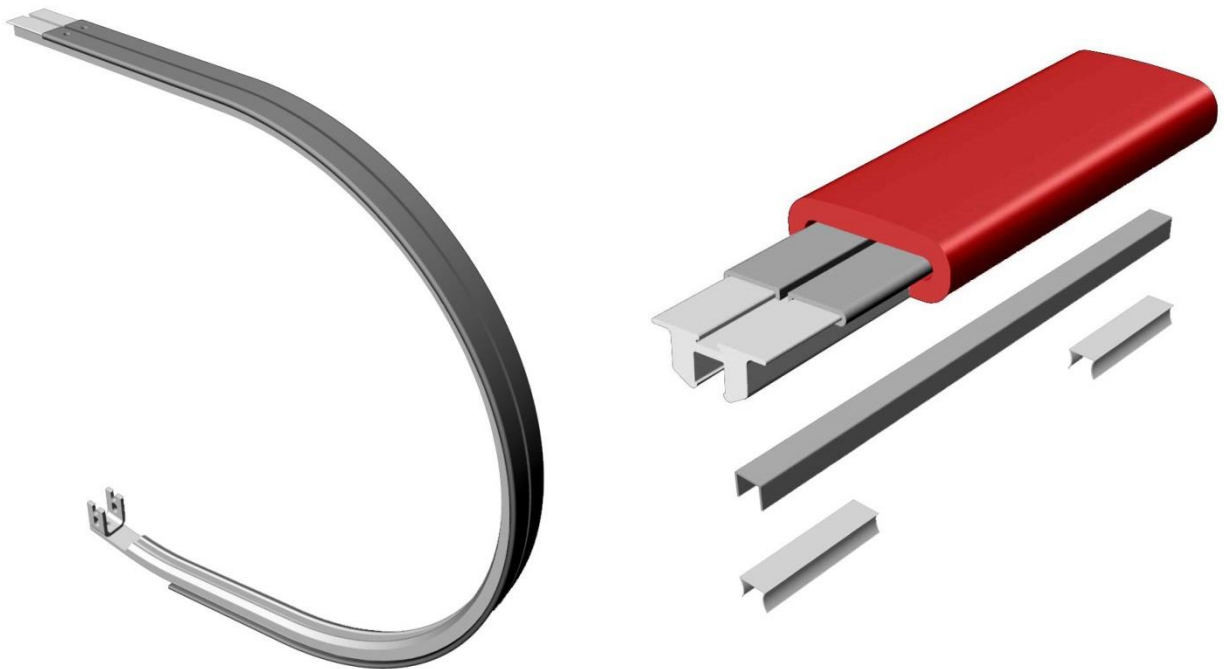


**OCE521 Escalator
Balustrade HR Frame & Guide**

Spare Parts Leaflet

57-ASA00A371

11/01/2006 / Page 1 of 7



Unpublished Work—©Otis Elevator Co.

OTIS

Safety First!

**Escalator Department
Otis Elevator Company
Changwon, Korea**

OCE521 Escalator 57-ASA00A371

History

Leaflet Description

OCE521 Escalator Balustrade Handrail Frame & Guide

Leaflet Revisions

Date Revised	Subject Matter Expert	Reason for Revision
Nov. 01,2006	--	Release
Doc.12.2011	--	Drawing no change

Related Drawings

Drawing No.	Title	Drawing No.	Title
ASA00A371	HR Frame & Guide Setting		

Related Documents

Document ID	Title
BOM	

Subject Matter Expert

Name	Department
Tom Charney	OSC Service Engineering

About Spare Parts Leaflets...

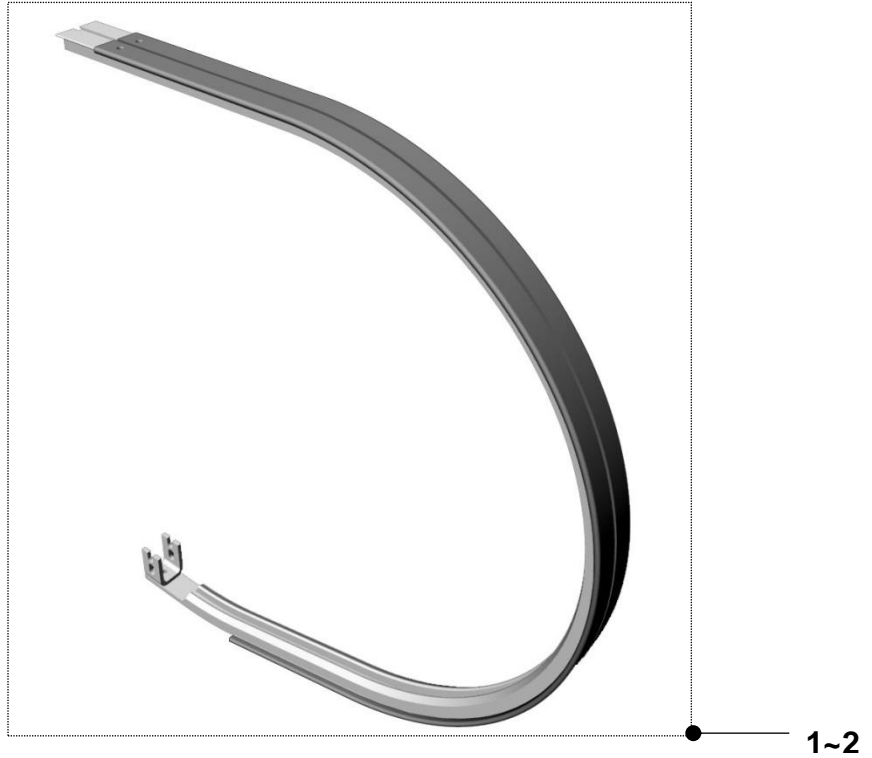
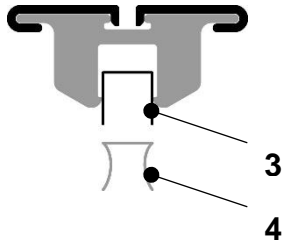
This document lists the lowest replaceable units (LRUs) for the standard version of the product. The LRUs are chosen by a team of Otis associates representing engineering and manufacturing.

While goal of this document is to make parts identification as easy as possible, the document cannot be all-inclusive. Elevator and escalator contracts classified as "special" or "custom" are not addressed here. For such contracts, please refer to specified information, the contract folder, TIPs, Field Education Articles, Construction Letters, etc. for further information.

If you have any suggestions about this document, please contact the subject matter expert listed on this page.

OCE521 Escalator Balustrade HR Frame & Guide

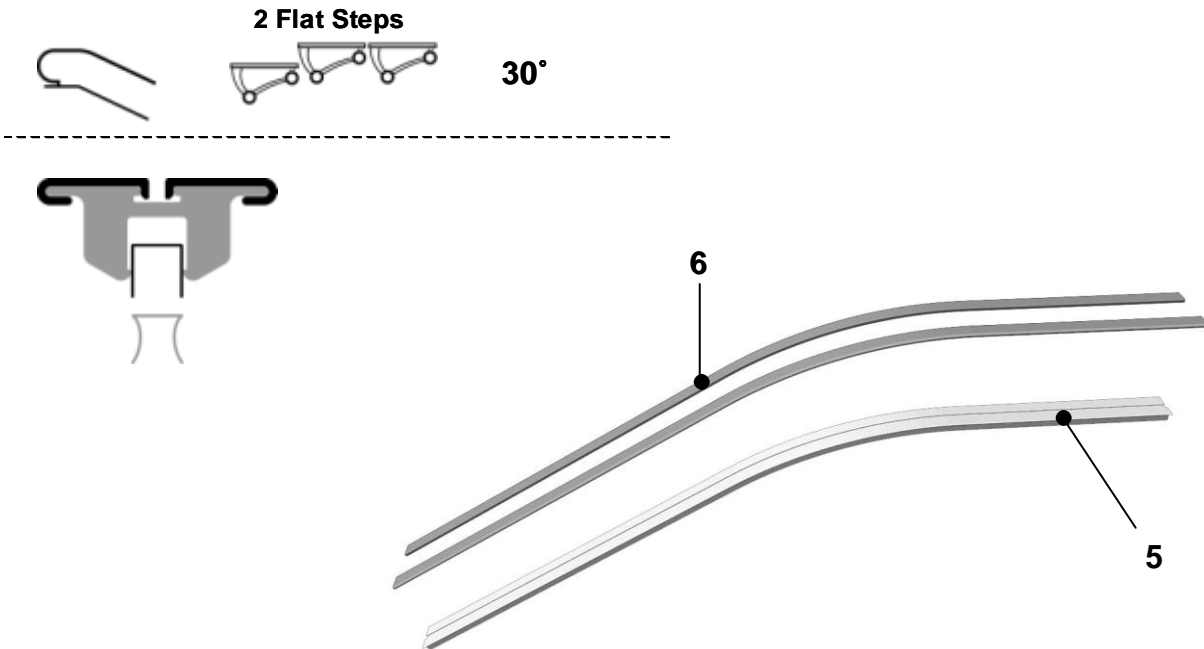
57-ASA00A371



W/O VINTAGE		
REF. No.	PART No.	DESCRIPTION
1	ASA00C431A	HR Frame Newel, Left
2	ASA00C431B	HR Frame Newel, Right
3	ASA00C437A	HR Mold, Length = 3000 mm
4	ASA00C436A	Spring Clip

57-ASA00A371

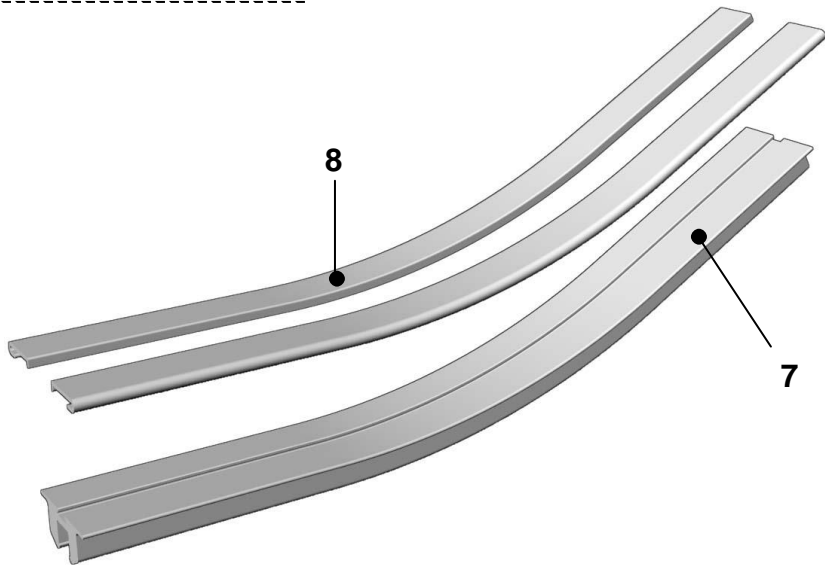
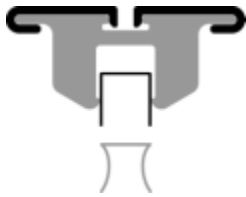
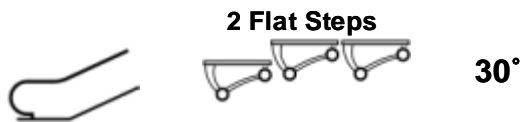
OCE521 Escalator Balustrade HR Frame & Guide



W/O VINTAGE		
REF. No.	PART No.	DESCRIPTION
5	ASA00C432B	HR Frame(U)
6	ASA00C435D	HR Guide, Length = 2490 mm, not pair
	ASA00C435A	HR Guide, Length = 3000 mm, not pair

OCE521 Escalator Balustrade HR Frame & Guide

57-ASA00A371

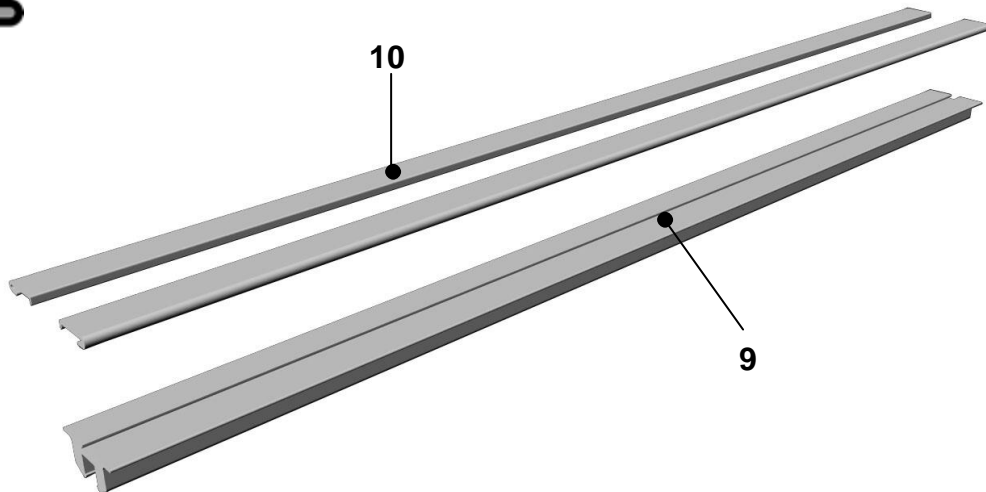
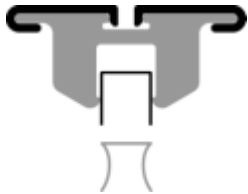


W/O VINTAGE		
REF. No.	PART No.	DESCRIPTION
7	ASA00C433B	HR Frame(L)
8	ASA00C435B	HR Guide, Length = 2000 mm, not pair

57-ASA00A371

OCE521 Escalator Balustrade HR Frame & Guide

Inclined Section

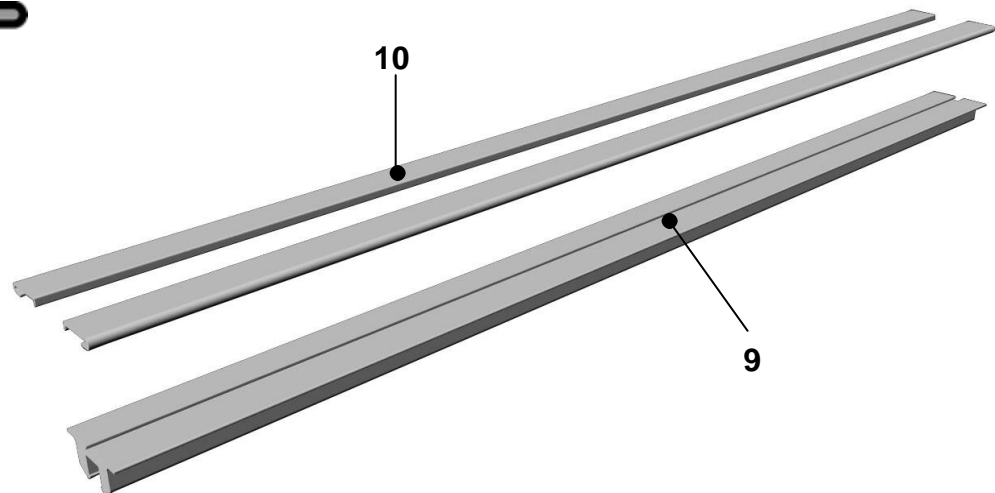


W/O VINTAGE		
REF. No.	PART No.	DESCRIPTION
9	ASA00C434A	HR Frame(M), Length = 5000 mm
	ASA00C434B	HR Frame(M), Length = 4000 mm
	ASA00C434C	HR Frame(M), Length = 3000 mm
	ASA00C434D	HR Frame(M), Length = 2000 mm
	ASA00C434E	HR Frame(M), Length = 1000 mm
	ASA00C434F	HR Frame(M), Length = 2100 mm
	ASA00C434G	HR Frame(M), Length = 2200 mm
	ASA00C434H	HR Frame(M), Length = 2300 mm
	ASA00C434J	HR Frame(M), Length = 2400 mm
	ASA00C434K	HR Frame(M), Length = 2500 mm
	ASA00C434L	HR Frame(M), Length = 2600 mm
	ASA00C434M	HR Frame(M), Length = 2700 mm

OCE521 Escalator Balustrade HR Frame & Guide

57-ASA00A371

Inclined Section



W/O VINTAGE		
REF. No.	PART No.	DESCRIPTION
9	ASA00C434N	HR Frame(M), Length = 2800 mm
	ASA00C434P	HR Frame(M), Length = 2900 mm
	ASA00C434Q	HR Frame(M), Length = 1700 mm
	ASA00C434R	HR Frame(M), Length = 1900 mm
10	ASA00C435A	HR Guide, Length = 3000 mm, not pair
	ASA00C435B	HR Guide, Length = 2000 mm, not pair
	ASA00C435C	HR Guide, Length = 1465 mm, not pair
	ASA00C435D	HR Guide, Length = 2490 mm, not pair