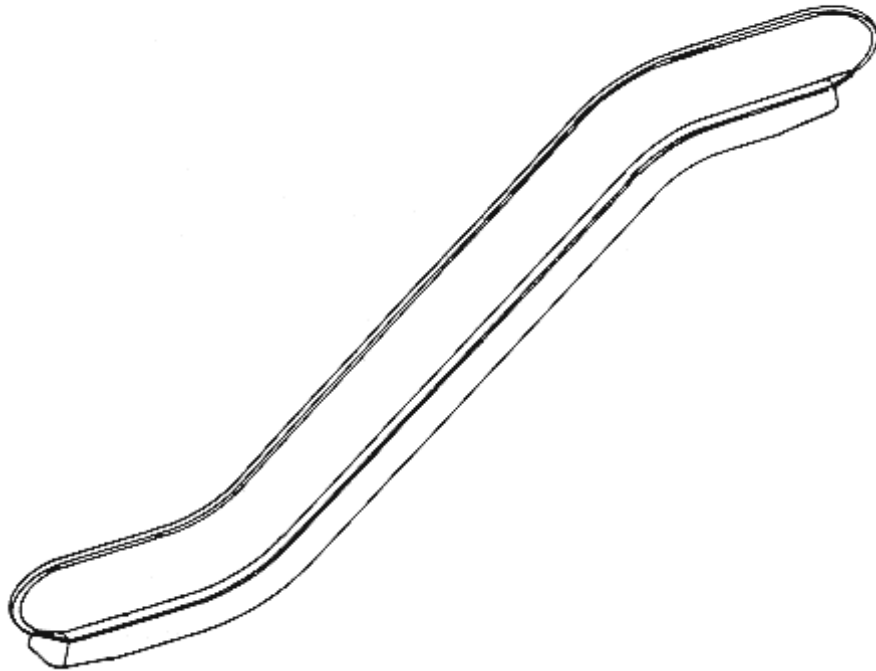
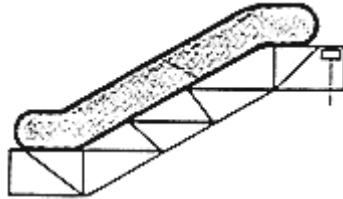


# SPL 57-BAA26220AA - Escalator Balustrade 2-3 Flat Step UBSL Escalator

Unpublished Work - © Otis Elevator Company. Any unauthorized reproduction, disclosure, or distribution of copies or content by any person of any portion of this work may be a violation of Copyright Law of the United States of America. All rights reserved.

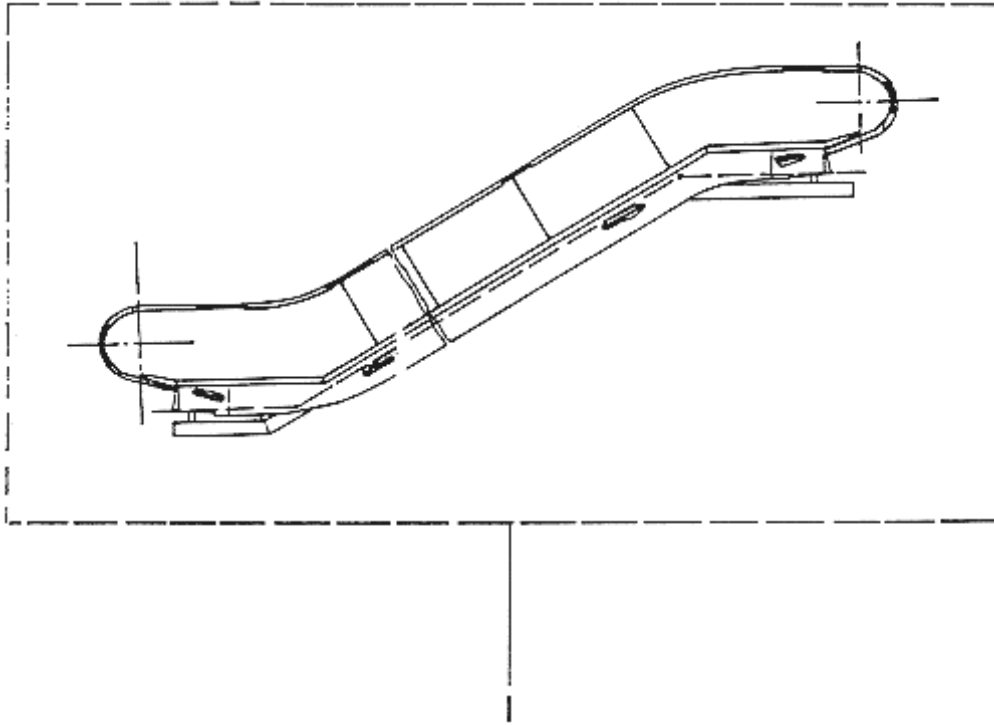
December 1993

Page 1



# SPL 57-BAA26220AA - Escalator Balustrade 2-3 Flat Step UBSL Escalator

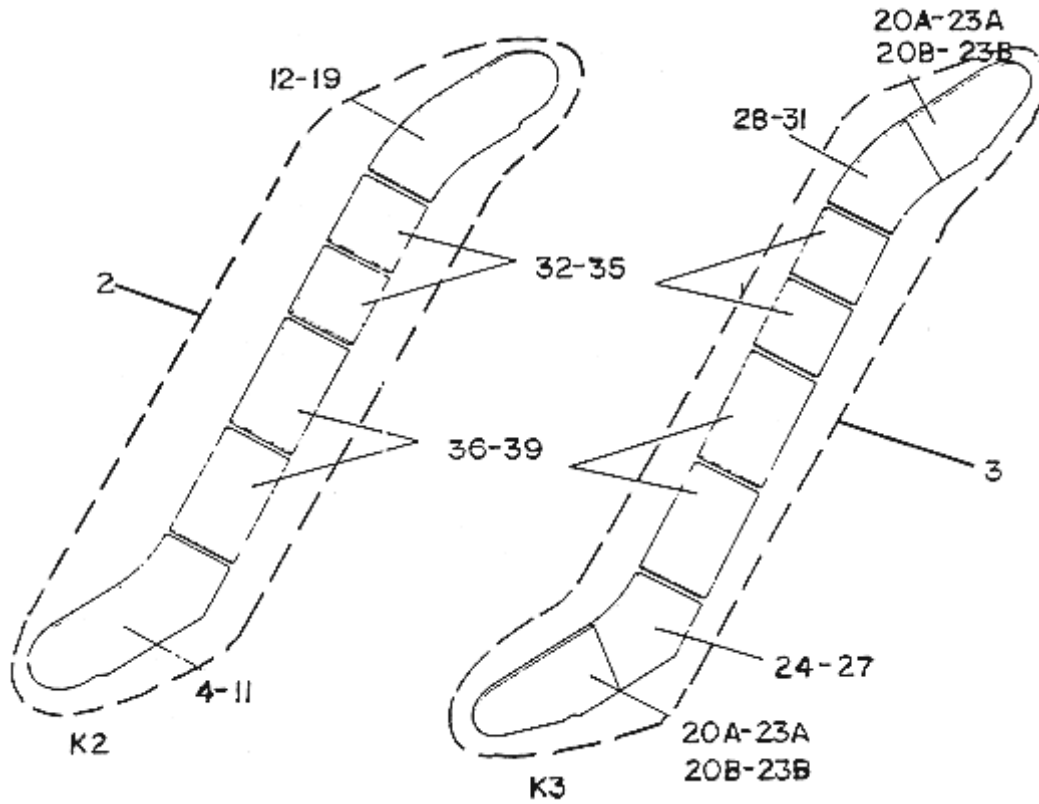
Page 2



REF. NUM.	DESCRIPTION		PART OR ML
1	BALUSTRADE - 2 FLAT STEP	30°	BAA26220AA999
1	BALUSTRADE - 3 FLAT STEP	30°	BAA26220AA997

SPL 57-BAA26220AA - Escalator Balustrade 2-3 Flat Step UBSL Escalator

Page 3



REF. NUM.	DESCRIPTION	PART OR ML
2	ARRANGEMENT OF INTERIOR PANEL - 2 FLAT STEP/30°	BAA26100A5
3	ARRANGEMENT OF INTERIOR PANEL - 3 FLAT STEP/30°	BAA26100A7

**SPL 57-BAA26220AA - Escalator Balustrade 2-3 Flat Step UBSL Escalator**

Page 4

<b>REF. NUM.</b>	<b>DESCRIPTION</b>			<b>PART OR ML</b>
4	GLASS PANEL	CLEAR	LOWER LANDING  SLOPE : 30°	BAA434AA1
5	GLASS PANEL	SMOKED		BAA434AA3
6	GLASS PANEL	GREEN		BAA434AA5
7	GLASS PANEL	BRONZE		BAA434AA7
8	GLASS PANEL	CLEAR	LOWER LANDING WITH HOLE SLOPE : 30°	BAA434AA9
9	GLASS PANEL	SMOKED		BAA434AA11
10	GLASS PANEL	GREEN		BAA434AA13
11	GLASS PANEL	BRONZE		BAA434AA15
12	GLASS PANEL	CLEAR	UPPER LANDING  SLOPE : 30°	BAA434X1
13	GLASS PANEL	SMOKED		BAA434X3
14	GLASS PANEL	GREEN		BAA434X5
15	GLASS PANEL	BRONZE		BAA434X7
16	GLASS PANEL	CLEAR	UPPER LANDING WITH HOLE SLOPE : 30°	BAA434X9
17	GLASS PANEL	SMOKED		BAA434X11
18	GLASS PANEL	GREEN		BAA434X13
19	GLASS PANEL	BRONZE		BAA434X15
20A	GLASS PANEL	CLEAR	UPPER/LOWER LANDING  SLOPE : 30°	BAA434N1
21A	GLASS PANEL	SMOKED		BAA434N2
22A	GLASS PANEL	GREEN		BAA434N3
23A	GLASS PANEL	BRONZE		BAA434N4
20B	GLASS PANEL	CLEAR	UPPER/LOWER LANDING WITH HOLE SLOPE : 30°	BAA434N5
21B	GLASS PANEL	SMOKED		BAA434N6
22B	GLASS PANEL	GREEN		BAA434N7
23B	GLASS PANEL	BRONZE		BAA434N8

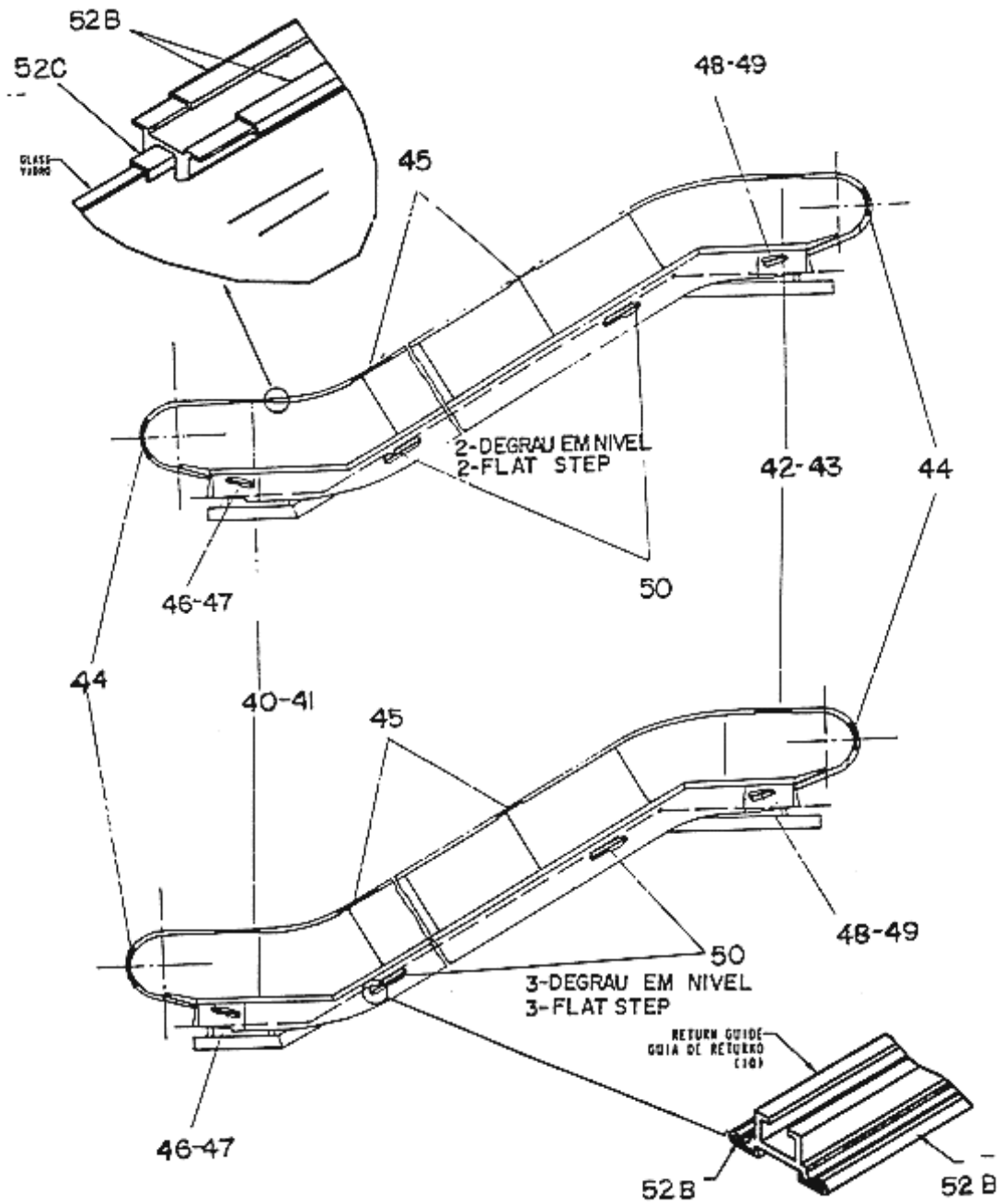
**SPL 57-BAA26220AA - Escalator Balustrade 2-3 Flat Step UBSL Escalator**

Page 5

REF. NUM.	DESCRIPTION		PART OR ML
24	GLASS PANEL	CLEAR	LOWER LANDING
25	GLASS PANEL	SMOKED	
26	GLASS PANEL	GREEN	SLOPE : 30°
27	GLASS PANEL	BRONZE	
28	GLASS PANEL	CLEAR	UPPER LANDING
29	GLASS PANEL	SMOKED	
30	GLASS PANEL	GREEN	SLOPE : 30°
31	GLASS PANEL	BRONZE	
32	GLASS PANEL	CLEAR	INCLINED SECTION
33	GLASS PANEL	SMOKED	
34	GLASS PANEL	GREEN	
35	GLASS PANEL	BRONZE	
36	GLASS PANEL	CLEAR	INCLINED SECTION
37	GLASS PANEL	SMOKED	
38	GLASS PANEL	GREEN	
39	GLASS PANEL	BRONZE	

SPL 57-BAA26220AA - Escalator Balustrade 2-3 Flat Step UBSL Escalator

Page 6

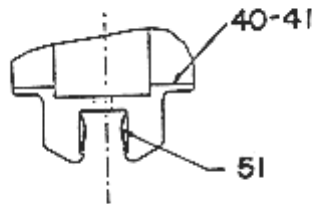


# SPL 57-BAA26220AA - Escalator Balustrade 2-3 Flat Step UBSL Escalator

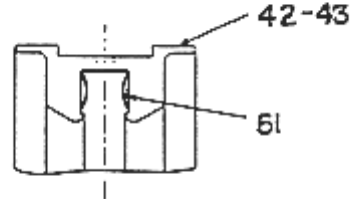
Page 7

GUIA DO CORRIMAO - SECAO TRANSVERSAL - LADO DO PASSAGEIRO / HANDRAIL GUIDE - TRANSVERSAL SECTION - PASSANGER

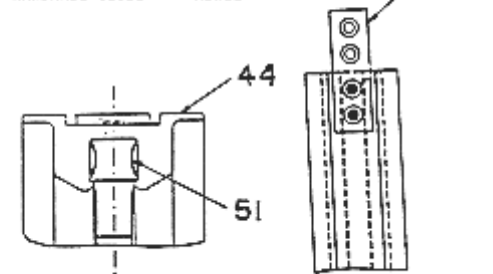
GUIA DO CORRIMAO - PATAMAR INFERIOR  
HANDRAIL GUIDE - LOWER LANDING



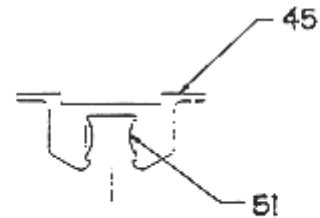
GUIA DO CORRIMAO - PATAMAR SUPERIOR  
HANDRAIL GUIDE - UPPER LANDING



GUIA DO CORRIMAO - CABECEIRA  
HANDRAIL GUIDE - NEWEL



GUIA DO CORRIMAO - SECAO INCLINADA  
HANDRAIL GUIDE - INCLINED SECTION



GUIA DO CORRIMAO - SECAO TRANSVERSAL - RETORNO / HANDRAIL GUIDE - TRANSVERSAL SECTION - RETURN

GUIA DO CORRIMAO - PATAMAR INFERIOR  
HANDRAIL GUIDE - LOWER LANDING



GUIA DO CORRIMAO - PATAMAR SUPERIOR  
HANDRAIL GUIDE - UPPER LANDING



GUIA DO CORRIMAO - SECAO INCLINADA  
HANDRAIL GUIDE - INCLINED SECTION



**SPL 57-BAA26220AA - Escalator Balustrade 2-3 Flat Step UBSL Escalator**

**Page 8**

REF. NUM.		DESCRIPTION		PART OR ML
40	HANDRAIL GUIDE	K2/30°	LOWER LANDING	BAA139C1
41	HANDRAIL GUIDE	K3/30°	PASSANGER	BAA139C2
42	HANDRAIL GUIDE	K2/30°	UPPER LANDING	BAA139D1
43	HANDRAIL GUIDE	K3/30°	PASSENGER	BAA139D2
44	HANDRAIL GUIDE	NEWEL		BAA139B1
45	HANDRAIL GUIDE	INCLINED SECTION - PASSANGER		AAA26189E2
46	HANDRAIL GUIDE	K2/30°	LOWER LANDING	BAA385D1
47	HANDRAIL GUIDE	K3/30°	RETURN	BAA385D2
48	HANDRAIL GUIDE	K2/30°	UPPER LANDING	BAA385E1
49	HANDRAIL GUIDE	K3/30°	RETURN	BAA385E2
50	HANDRAIL GUIDE	INCLINED SECTION - RETURN		AAA139AP999
51	SPRING			AAA94AP1
52	52 A	SPLICE PLATE		AAA386KMH1
	52 B	PLASTIC GUIDE / LENGTH = HANDRAIL LENGTH - 3000 in mm		AAA50APD1
	52 C	PROTECTIVE TAPE / LENGTH = HANDRAIL LENGTH - 3000 in mm		27XX990800



SUMMARY OF SKIRTS CASES BASED ON VALUE OF NT AND NT2  
 RESUMO DOS CASOS DOS RODAPÉS BASEADO NOS VALORES DE NT E NT2

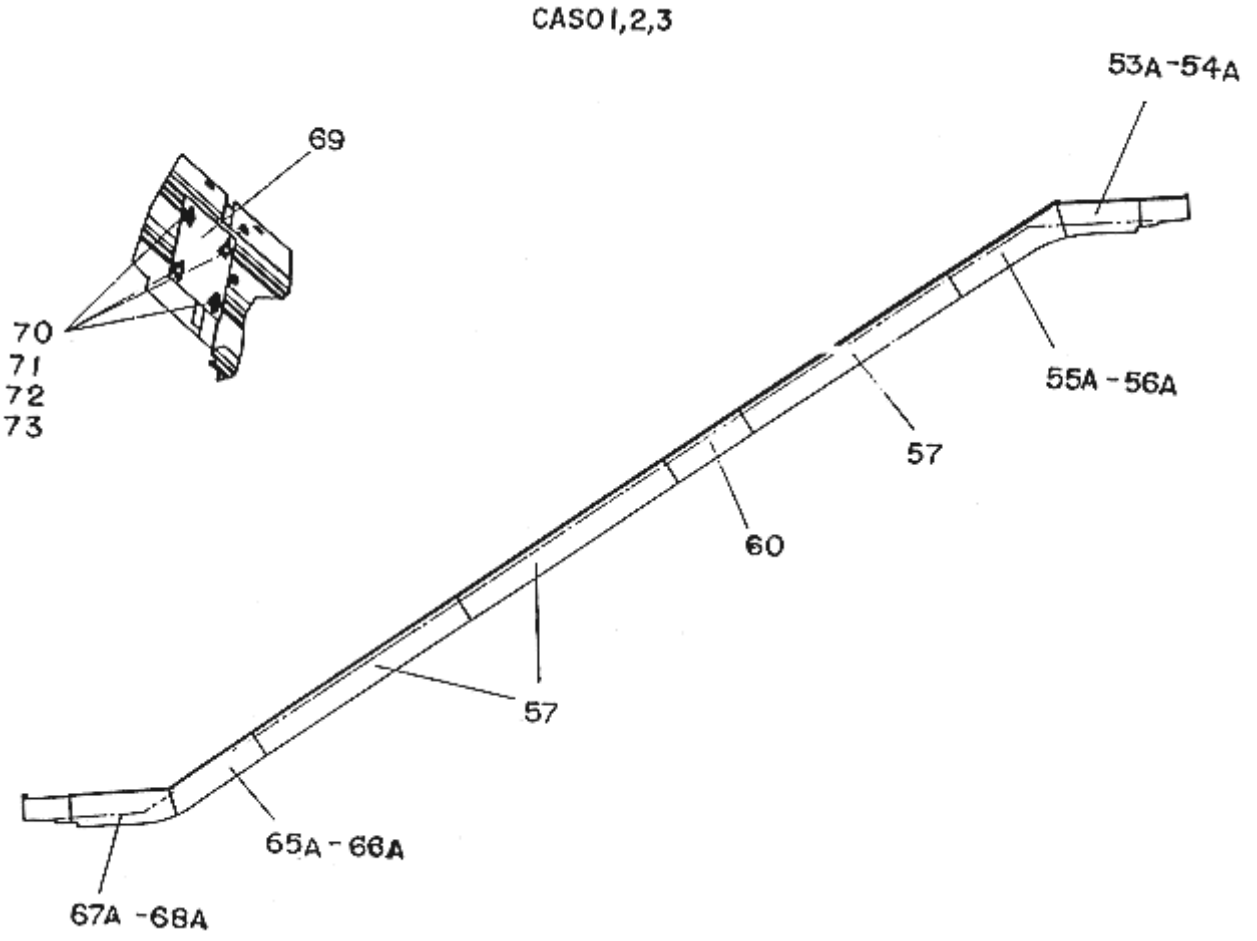
NT HT2	PAR ( EVEN )	IMPAR ( ODD )
1	CASO / CASE 1 $NS = NT/2$ $NVS = 1$ $NYS = TL2$	CASO / CASE 2 $NS = (NT-1)/2$ $NVS = 1$ $NYS = 1220+TL2$
	CASO / CASE 3 $NS = NT/2$ $NVS = 1$ $NYS = 2+TL2$	CASO / CASE 4 $NS = (NT-1)/2$ $NVS = 2$ $NYS = 2+TL2$

LEGENDA / LEGEND :

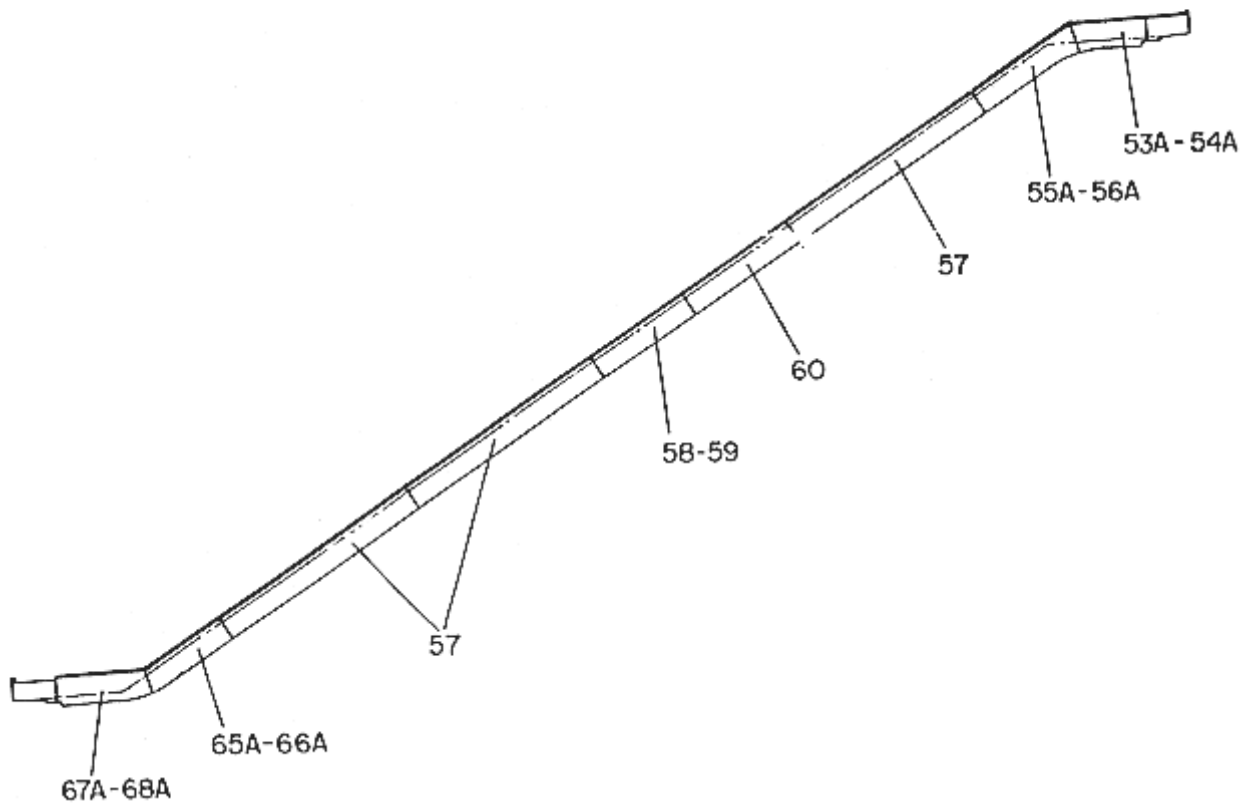
- T : COMPRIMENTO TOTAL DA PARTE INCLINADA PARA CONTER ARMAÇÔES;  
TOTAL INCLINE TRUSS LENGTH TO CONTAIN FRAMES;
- NT1 : NÚMERO INTEIRO DE ESPAÇOS NA TRELIÇA;  
INTEGER NUMBER OF TRUSS SPACE;
- TL1 : COMPRIMENTO RESTANTE DA TRELIÇA;  
TRUSS REMAINING LENGTH;
- 1220 : ESPAÇO PADRÃO DA TRELIÇA;  
STANDARD TRUSS SPACE;
- 610 : VARIACÃO MÍNIMA DO COMPRIMENTO DA TRELIÇA;  
MINIMUM VARIABLE TRUSS LENGTH;
- NT : NÚMERO DE ARMAÇÔ DA TRELIÇA CONSTANTE (1220);  
NUMBER OF STANDARD (1220) TRUSS FRAME;
- NT2 : QUANTIDADE DE ARMAÇÔ DA TRELIÇA VARIÁVEL;  
NUMBER OF VARIABLE TRUSS FRAMES;
- TL2 : VARIACÃO DO COMPRIMENTO DA ARMAÇÔ DA TRELIÇA (610<L<1220);  
LENGTH OF VARIABLE TRUSS FRAME (610<L<1220);
- NS : NÚMERO DE RODAPÉS CONSTANTES POR LADO (2440);  
NUMBER OF STANDARD (2440) SKIRT PANELS PER SIDE;
- NVS : QUANTIDADE DE RODAPÉS VARIÁVEL POR LADO;  
NUMBER OF VARIABLE SKIRT PANEL PER SIDE;
- YSL : COMPRIMENTO DE RODAPÉS VARIÁVEL;  
VARIABLE SKIRT PANELS LENGTHS;

SPL 57-BAA26220AA - Escalator Balustrade 2-3 Flat Step UBSL Escalator

Page 10

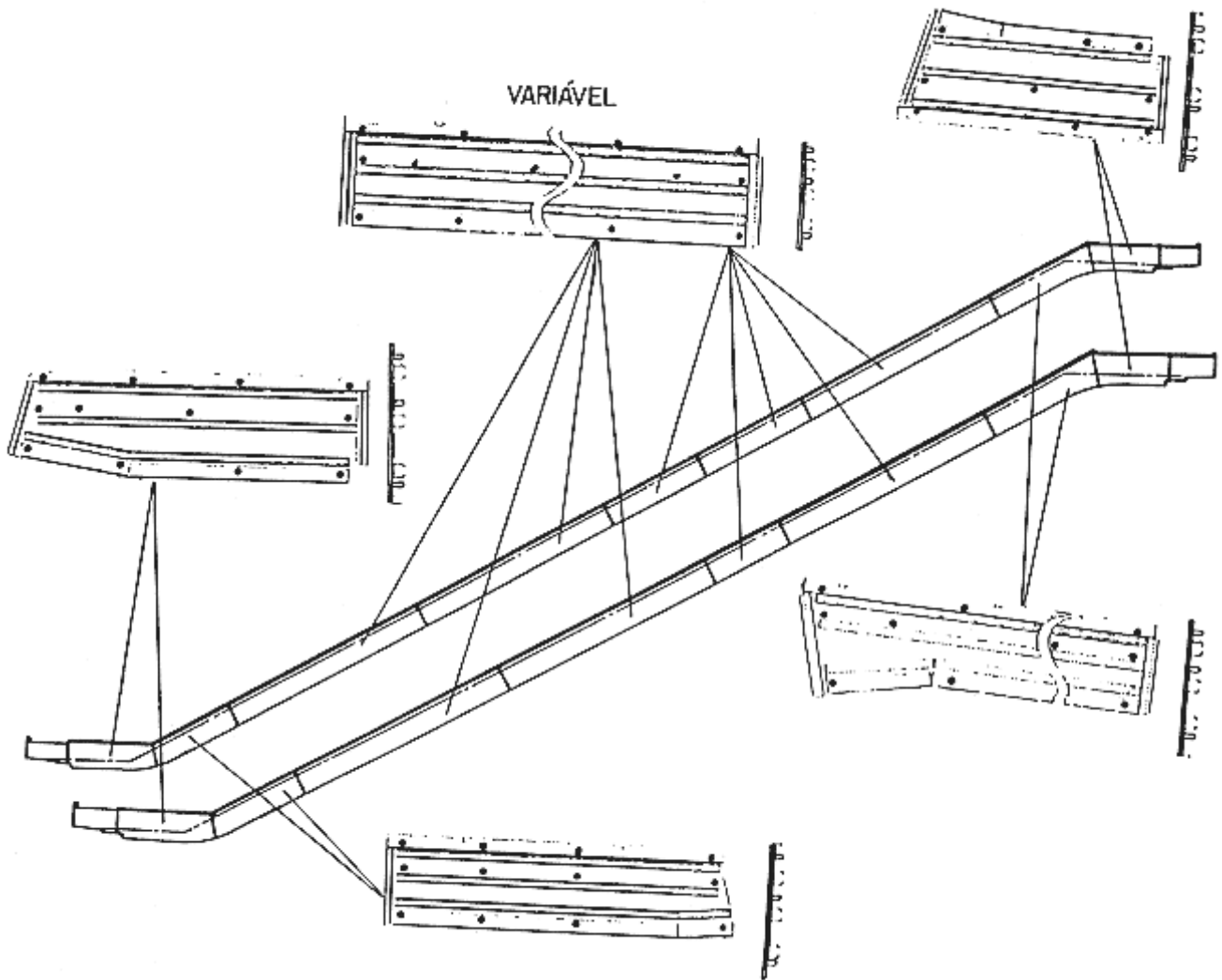


CASO 4



SPL 57-BAA26220AA - Escalator Balustrade 2-3 Flat Step UBSL Escalator

Page 12



**SPL 57-BAA26220AA - Escalator Balustrade 2-3 Flat Step UBSL Escalator**

Page 13

REF. NUM.		DESCRIPTION			PART OR ML
53	A	SKIRT PANEL	K2/30°	UPPER LANDING	BAA434AT1
53	A	SKIRT PANEL	K3/30°		BAA434AT3
53	B	COVERING PANEL	K2/30°	LEFT SIDE	BAA434BE5
53	B	COVERING PANEL	K3/30°		BAA434BE7
54	A	SKIRT PANEL	K2/30°	UPPER LANDING	BAA434AT2
54	A	SKIRT PANEL	K3/30°		BAA434AT4
54	B	COVERING PANEL	K2/30°	RIGHT SIDE	BAA434BE6
54	B	COVERING PANEL	K3/30°		BAA434BE8
55	A	SKIRT PANEL	K2/30°	UPPER LANDING	BAA434AV1
55	A	SKIRT PANEL	K3/30°		
55	B	COVERING PANEL	K2/30°	LEFT SIDE	BAA434BF3
55	B	COVERING PANEL	K3/30°		
56	A	SKIRT PANEL	K2/30°	UPPER LANDING	BAA434AV2
56	A	SKIRT PANEL	K3/30°		
56	B	COVERING PANEL	K2/30°	RIGHT SIDE	BAA434BF4
56	B	COVERING PANEL	K3/30°		
57		SKIRT PANEL		VARIABLE	BAA434B1
58			INCLINED PART	LEFT SIDE	BAA434B2 SEE NOTE 2
59				RIGHT SIDE	BAA434B3 SEE NOTE 2
60				SEE NOTE 1	BAA434B999

**NOTE**

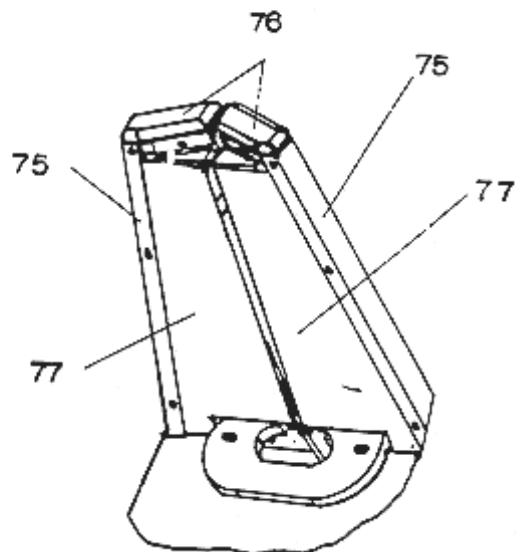
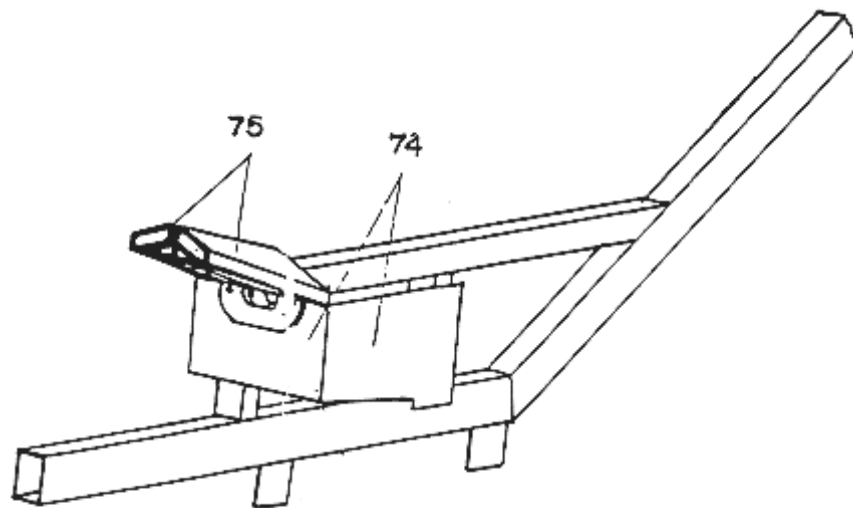
1. VARIABLE PANELS ARE SUPPLIED WITH EXTRA LENGTH OF 10mm. THEY WILL BE CUT TO FIT AT ASSEMBLY:

2. USED FOR CASE 4 ONLY

**SPL 57-BAA26220AA - Escalator Balustrade 2-3 Flat Step UBSL Escalator**

Page 14

REF. NUM.		DESCRIPTION			PART OR ML
61		COVERING PANEL		VARIABLE	BAA434BB11
62			INCLINE PART	LEFT SIDE	BAA434BB12 SEE NOTE 2
63				RIGHT SIDE	BAA434BB13 SEE NOTE 2
64				SEE NOTE 1	BAA434BB997
65	A	SKIRT PANEL	K2/30°	LOWER LANDING	BAA434AH1
65	A	SKIRT PANEL	K3/30°		
65	B	COVERING PANEL	K2/30°	LEFT SIDE	BAA434BD3
65	B	COVERING PANEL	K3/30°		
66	A	SKIRT PANEL	K2/30°	LOWER LANDING	BAA434AH2
66	A	SKIRT PANEL	K3/30°		
66	B	COVERING PANEL	K2/30°	RIGHT SIDE	BAA434BD4
66	B	COVERING PANEL	K3/30°		
67	A	SKIRT PANEL	K2/30°	LOWER LANDING	BAA434D1
67	A	SKIRT PANEL	K3/30°		
67	B	COVERING PANEL	K2/30°	LEFT SIDE	BAA434BC5
67	B	COVERING PANEL	K3/30°		
68	A	SKIRT PANEL	K2/30°	LOWER LANDING	BAA434D2
68	A	SKIRT PANEL	K3/30°		
68	B	COVERING PANEL	K2/30°	RIGHT SIDE	BAA434BC6
68	B	COVERING PANEL	K3/30°		
69		SPLICE PLATE			A1A386KTA1
70		BOLT			BXGO56AK501
71		NUT F S M8 DIN 934			43SD182302
72		FLAT WASHER			127L5
73		WASHER FE PRS B8 DIN 127			03PG181000

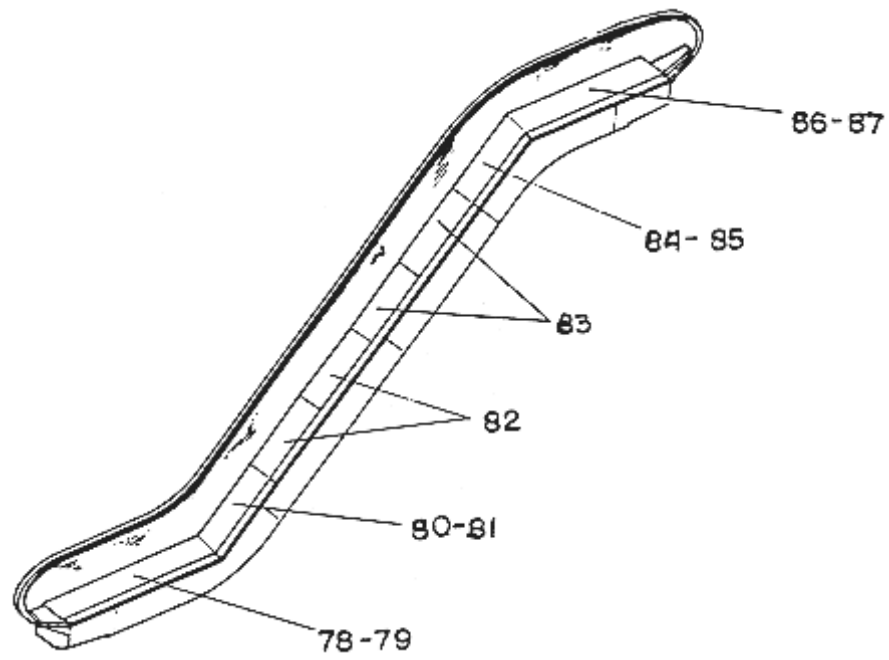


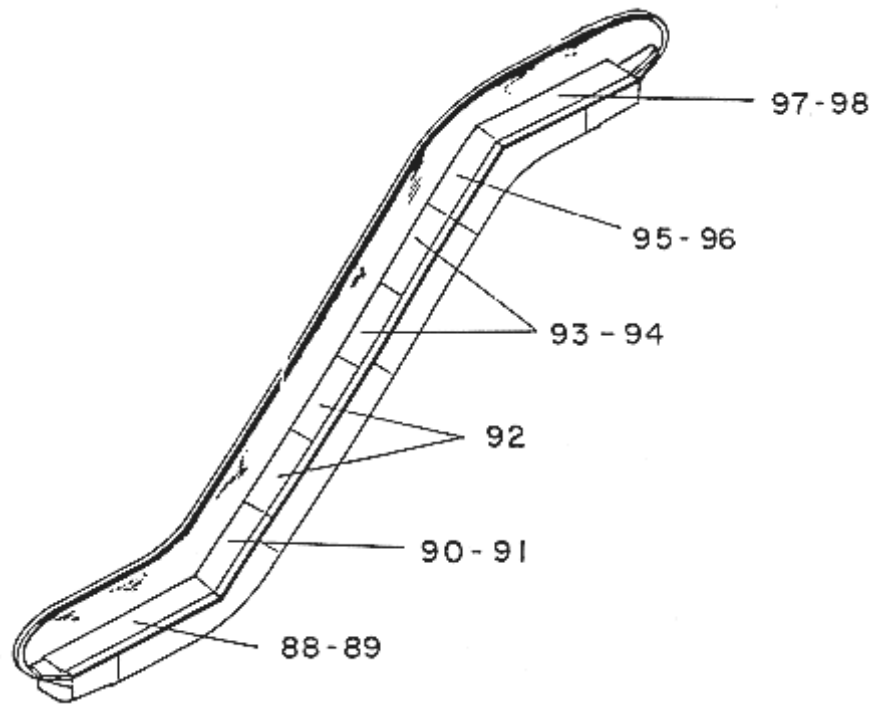
**SPL 57-BAA26220AA - Escalator Balustrade 2-3 Flat Step UBSL Escalator**

Page 16

<b>REF. NUM.</b>	<b>DESCRIPTION</b>		<b>PART OR ML</b>
74	ENTRY BOX	RIGHT SIDE WITH START SWITCHE	BAA438AP21
		HIGHT SIDE WITHOUT START SWITCHE	BAA438AP3
		LEFT SIDE WITHOUT START SWITCHE	BAA438AP2
75	ENTRY HOUSING	AS SHOWN OUTER	BAA402AT1
		OPPOSITE OUTER	BAA402AT2
		AS SHOWN INNER	BAA402AE1
		OPPOSITE INNER	BAA402AE2
76	NEWEL CAP	AS SHOWN	BAA329A1
		OPPOSITE	BAA329A2
77	GUARD	AS SHOWN	BAA384AE3
		OPPOSITE	BAA384AE4
		OPPOSITE CUT FOR THROUGH	BAA384AE5

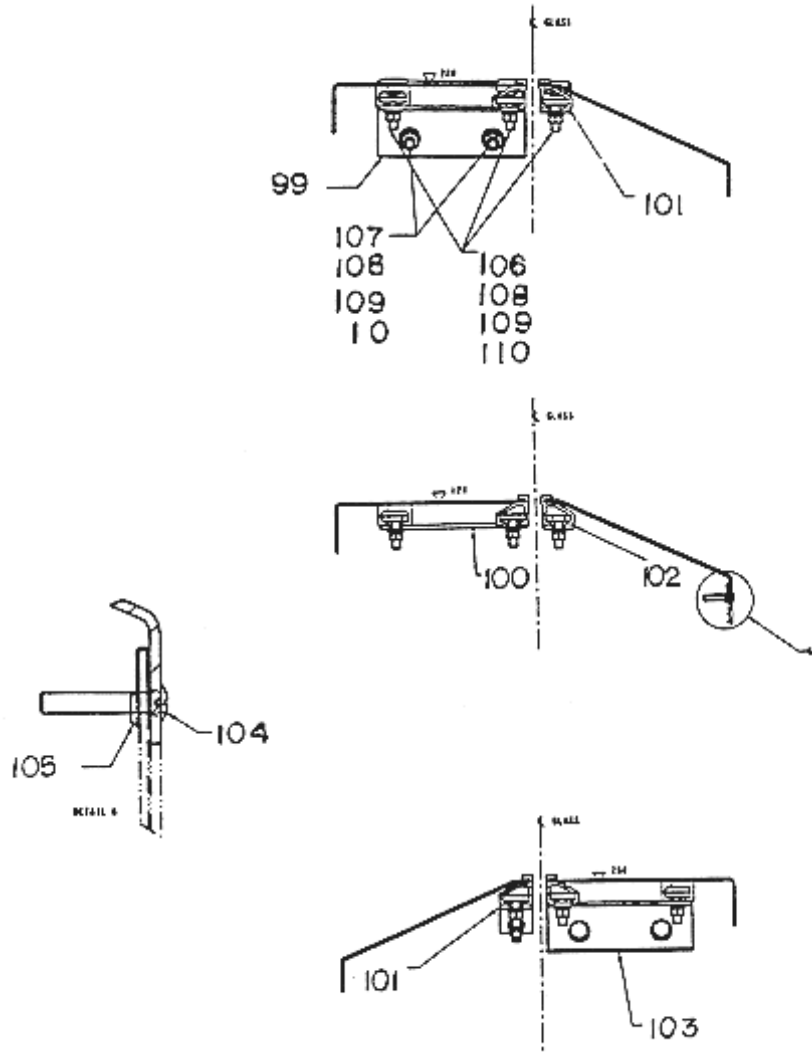






SPL 57-BAA26220AA - Escalator Balustrade 2-3 Flat Step UBSL Escalator

Page 19



**SPL 57-BAA26220AA - Escalator Balustrade 2-3 Flat Step UBSL Escalator**

Page 20

REF. NUM.	DESCRIPTION		PART OR ML	
78	EXTERNAL MOULDING LOWER LANDING LEFT SIDE	K2/30°	STAINLESS STEEL - SATIN	BAA402AP2
		K3/30°	STAINLESS STEEL - SATIN	BAA402AP10
		K2/30°	STAINLESS STEEL - MIRROR	BAA402AP18
		K3/30°	STAINLESS STEEL - MIRROR	BAA402AP26
		K2/30°	BRASS - SATIN	BAA402AP34
		K3/30°	BRASS - SATIN	BAA402AP42
		K2/30°	BRASS - MIRROR	BAA402AP50
		K3/30°	BRASS - MIRROR	BAA402AP58
		K2/30°	ALUMINUM	BAA402AP65
		K3/30°	ALUMINUM	BAA402AP69
79	EXTERNAL MOULDING LOWER LANDING RIGHT SIDE	K2/30°	STAINLESS STEEL - SATIN	BAA402AP4
		K3/30°	STAINLESS STEEL - SATIN	BAA402AP12
		K2/30°	STAINLESS STEEL - MIRROR	BAA402AP20
		K3/30°	STAINLESS STEEL - MIRROR	BAA402AP28
		K2/30°	BRASS - SATIN	BAA402AP36
		K3/30°	BRASS - SATIN	BAA402AP44
		K2/30°	BRASS - MIRROR	BAA402AP52
		K3/30°	BRASS - MIRROR	BAA402AP60
		K2/30°	ALUMINUM	BAA402AP66
		K3/30°	ALUMINUM	BAA402AP70

**SPL 57-BAA26220AA - Escalator Balustrade 2-3 Flat Step UBSL Escalator**

Page 21

REF. NUM.	DESCRIPTION			PART OR ML
80	EXTERNAL MOULDING LOWER LANDING LEFT SIDE	K2/30°	STAINLESS STEEL - SATIN	BAA402AS2
		K3/30°		
		K2/30°	STAINLESS STEEL - MIRROR	BAA402AS10
		K3/30°		
		K2/30°	BRASS - SATIN	BAA402AS18
		K3/30°		
		K2/30°	BRASS - MIRROR	BAA402AS26
		K3/30°	BRASS - MIRROR	
		K2/30°	ALUMINUM	BAA402AS33
		K3/30°	ALUMINUM	BAA402AS33
81	EXTERNAL MOULDING LOWER LANDING RIGHT SIDE	K2/30°	STAINLESS STEEL - SATIN	BAA402AS4
		K3/30°	STAINLESS STEEL - SATIN	BAA402AS4
		K2/30°	STAINLESS STEEL - MIRROR	BAA402AS12
		K3/30°	STAINLESS STEEL - MIRROR	BAA402AS12
		K2/30°	BRASS - SATIN	BAA402AS20
		K3/30°	BRASS - SATIN	BAA402AS20
		K2/30°	BRASS - MIRROR	BAA402AS28
		K3/30°	BRASS - MIRROR	BAA402AS28
		K2/30°	ALUMINUM	BAA402AS34
		K3/30°	ALUMINUM	BAA402AS34

**SPL 57-BAA26220AA - Escalator Balustrade 2-3 Flat Step UBSL Escalator**

Page 22

REF. NUM.	DESCRIPTION		PART OR ML
82	EXTERNAL MOULDING INCLINE	STAINLESS STEEL - SATIN	BAA402AM2
		STAINLESS STEEL - MIRROR	BAA402AM4
		BRASS - SATIN	BAA402AM6
		BRASS - MIRROR	BAA402AM8
		ALUMINUM	BAA402AM9
83	LEFT SIDE AND RIGHT SIDE	STAINLESS STEEL - SATIN	BAA402AM998
		STAINLESS STEEL - MIRROR	BAA402AM996
		BRASS - SATIN	BAA402AM994
		BRASS - MIRROR	BAA402AM992
		ALUMINUM	BAA402AM991
84	EXTERNAL MOULDING UPPER LANDING LEFT SIDE	K2/30° STAINLESS STEEL - SATIN	BAA402AF2
		K3/30° STAINLESS STEEL - SATIN	BAA402AF2
		K2/30° STAINLESS STEEL - MIRROR	BAA402AF10
		K3/30° STAINLESS STEEL - MIRROR	BAA402AF10
		K2/30° BRASS - SATIN	BAA402AF18
		K3/30° BRASS - SATIN	BAA402AF18
		K2/30° BRASS - MIRROR	BAA402AF26
		K3/30° BRASS - MIRROR	BAA402AF26
		K2/30° ALUMINUM	BAA402AF33
		K3/30° ALUMINUM	BAA402AF33

**SPL 57-BAA26220AA - Escalator Balustrade 2-3 Flat Step UBSL Escalator**

Page 23

REF. NUM.	DESCRIPTION		PART OR ML	
85	EXTERNAL MOULDING UPPER LANDING RIGHT SIDE	K2/30°	STAINLESS STEEL - SATIN	BAA402AF4
		K3/30°		
		K2/30°	STAINLESS STEEL - MIRROR	BAA402AF12
		K3/30°		
		K2/30°	BRASS - SATIN	BAA402AF20
		K3/30°		
		K2/30°	BRASS - MIRROR	BAA402AF28
		K3/30°		
		K2/30°	ALUMINUM	BAA402AF34
		K3/30°		
86	EXTERNAL MOULDING UPPER LANDING LEFT SIDE	K2/30°	STAINLESS STEEL - SATIN	BAA402AH2
		K3/30°		BAA402AH10
		K2/30°	STAINLESS STEEL - MIRROR	BAA402AH18
		K3/30°	STAINLESS STEEL - MIRROR	BAA402AH26
		K2/30°	BRASS - SATIN	BAA402AH34
		K3/30°	BRASS - SATIN	BAA402AH42
		K2/30°	BRASS - MIRROR	BAA402AH50
		K3/30°	BRASS - MIRROR	BAA402AH58
		K2/30°	ALUMINUM	BAA402AH65
		K3/30°	ALUMINUM	BAA402AH69

**SPL 57-BAA26220AA - Escalator Balustrade 2-3 Flat Step UBSL Escalator**

Page 24

REF. NUM.	DESCRIPTION		PART OR ML	
87	EXTERNAL MOULDING UPPER LANDING RIGHT SIDE	K2/30°	STAINLESS STEEL - SATIN	BAA402AH4
		K3/30°	STAINLESS STEEL - SATIN	BAA402AH12
		K2/30°	STAINLESS STEEL - MIRROR	BAA402AH20
		K3/30°	STAINLESS STEEL - MIRROR	BAA402AH28
		K2/30°	BRASS - SATIN	BAA402AH36
		K3/30°	BRASS - SATIN	BAA402AH44
		K2/30°	BRASS - MIRROR	BAA402AH52
		K3/30°	BRASS - MIRROR	BAA402AH60
		K2/30°	ALUMINUM	BAA402AH66
		K3/30°	ALUMINUM	BAA402AH70
88	INTERNAL MOULDING LOWER LANDING LEFT SIDE	K2/30°	STAINLESS STEEL - SATIN	BAA402AJ1
		K3/30°	STAINLESS STEEL - SATIN	BAA402AJ5
		K2/30°	STAINLESS STEEL - MIRROR	BAA402AJ9
		K3/30°	STAINLESS STEEL - MIRROR	BAA402AJ13
		K2/30°	BRASS - SATIN	BAA402AJ17
		K3/30°	BRASS - SATIN	BAA402AJ21
		K2/30°	BRASS - MIRROR	BAA402AJ25
		K3/30°	BRASS - MIRROR	BAA402AJ29
		K2/30°	ALUMINUM	BAA402AJ33
		K3/30°	ALUMINUM	BAA402AJ37



SPL 57-BAA26220AA - Escalator Balustrade 2-3 Flat Step UBSL Escalator

Page 25

REF. NUM.	DESCRIPTION			PART OR ML
89	INTERNAL MOULDING LOWER LANDING RIGHT SIDE	K2/30°	STAINLESS STEEL - SATIN	BAA402AJ2
		K3/30°	STAINLESS STEEL - SATIN	BAA402AJ6
		K2/30°	STAINLESS STEEL - MIRROR	BAA402AJ10
		K3/30°	STAINLESS STEEL - MIRROR	BAA402AJ14
		K2/30°	BRASS - SATIN	BAA402AJ18
		K3/30°	BRASS - SATIN	BAA402AJ22
		K2/30°	BRASS - MIRROR	BAA402AJ26
		K3/30°	BRASS - MIRROR	BAA402AJ30
		K2/30°	ALUMINUM	BAA402AJ34
		K3/30°	ALUMINUM	BAA402AJ38
90	INTERNAL MOULDING LOWER LANDING LEFT SIDE	K2/30°	STAINLESS STEEL - SATIN	BAA402AK1
		K3/30°	STAINLESS STEEL - SATIN	BAA402AK1
		K2/30°	STAINLESS STEEL - MIRROR	BAA402AK5
		K3/30°	STAINLESS STEEL - MIRROR	BAA402AK5
		K2/30°	BRASS - SATIN	BAA402AK9
		K3/30°	BRASS - SATIN	BAA402AK9
		K2/30°	BRASS - MIRROR	BAA402AK13
		K3/30°	BRASS - MIRROR	BAA402AK13
		K2/30°	ALUMINUM	BAA402AK17
		K3/30°	ALUMINUM	BAA402AK17

**SPL 57-BAA26220AA - Escalator Balustrade 2-3 Flat Step UBSL Escalator**

Page 26

REF. NUM.	DESCRIPTION		PART OR ML	
91	INTERNAL MOULDING LOWER LANDING RIGHT SIDE	K2/30°	STAINLESS STEEL - SATIN	BAA402AK2
		K3/30°	STAINLESS STEEL - SATIN	BAA402AK2
		K2/30°	STAINLESS STEEL - MIRROR	BAA402AK6
		K3/30°	STAINLESS STEEL - MIRROR	BAA402AK6
		K2/30°	BRASS - SATIN	BAA402AK10
		K3/30°	BRASS - SATIN	BAA402AK10
		K2/30°	BRASS - MIRROR	BAA402AK14
		K3/30°	BRASS - MIRROR	BAA402AK14
		K2/30°	ALUMINUM	BAA402AK18
		K3/30°	ALUMINUM	BAA402AK18
92	INTERNAL MOULDING INCLINE LEFT/RIGHT SIDE		STAINLESS STEEL - SATIN	BAA402AG1
			STAINLESS STEEL - MIRROR	BAA402AG2
			BRASS - SATIN	BAA402AG3
			BRASS - MIRROR	BAA402AG4
			ALUMINUM	BAA402AG5
93	INTERNAL MOULDING INCLINE LEFT SIDE		STAINLESS STEEL - SATIN	BAA402AG999
			STAINLESS STEEL - MIRROR	BAA402AG998
			BRASS - SATIN	BAA402AG997
			BRASS - MIRROR	BAA402AG996
			ALUMINUM	BAA402AG995
94	INTERNAL MOULDING INCLINE RIGHT SIDE		STAINLESS STEEL - SATIN	BAA402AG994
			STAINLESS STEEL - MIRROR	BAA402AG993
			BRASS - SATIN	BAA402AG992
			BRASS - MIRROR	BAA402AG991
			ALUMINUM	BAA402AG990

**SPL 57-BAA26220AA - Escalator Balustrade 2-3 Flat Step UBSL Escalator**

Page 27

REF. NUM.	DESCRIPTION		PART OR ML	
95	INTERNAL MOULDING UPPER LANDING LEFT SIDE	K2/30°	STAINLESS STEEL - SATIN	BAA402AN1
		K3/30°		BAA402AN1
		K2/30°	STAINLESS STEEL - MIRROR	BAA402AN5
		K3/30°		BAA402AN5
		K2/30°	BRASS - SATIN	BAA402AN9
		K3/30°		BAA402AN9
		K2/30°	BRASS - MIRROR	BAA402AN13
		K3/30°	BRASS - MIRROR	BAA402AN13
		K2/30°	ALUMINUM	BAA442AN17
		K3/30°	ALUMINUM	BAA442AN17
96	INTERNAL MOULDING UPPER LANDING RIGHT SIDE	K2/30°	STAINLESS STEEL - SATIN	BAA402AN2
		K3/30°	STAINLESS STEEL - SATIN	BAA402AN2
		K2/30°	STAINLESS STEEL - MIRROR	BAA402AN6
		K3/30°	STAINLESS STEEL - MIRROR	BAA402AN6
		K2/30°	BRASS - SATIN	BAA402AN10
		K3/30°	BRASS - SATIN	BAA402AN10
		K2/30°	BRASS - MIRROR	BAA402AN14
		K3/30°	BRASS - MIRROR	BAA402AN14
		K2/30°	ALUMINUM	BAA402AN18
		K3/30°	ALUMINUM	BAA402AN18

**SPL 57-BAA26220AA - Escalator Balustrade 2-3 Flat Step UBSL Escalator**

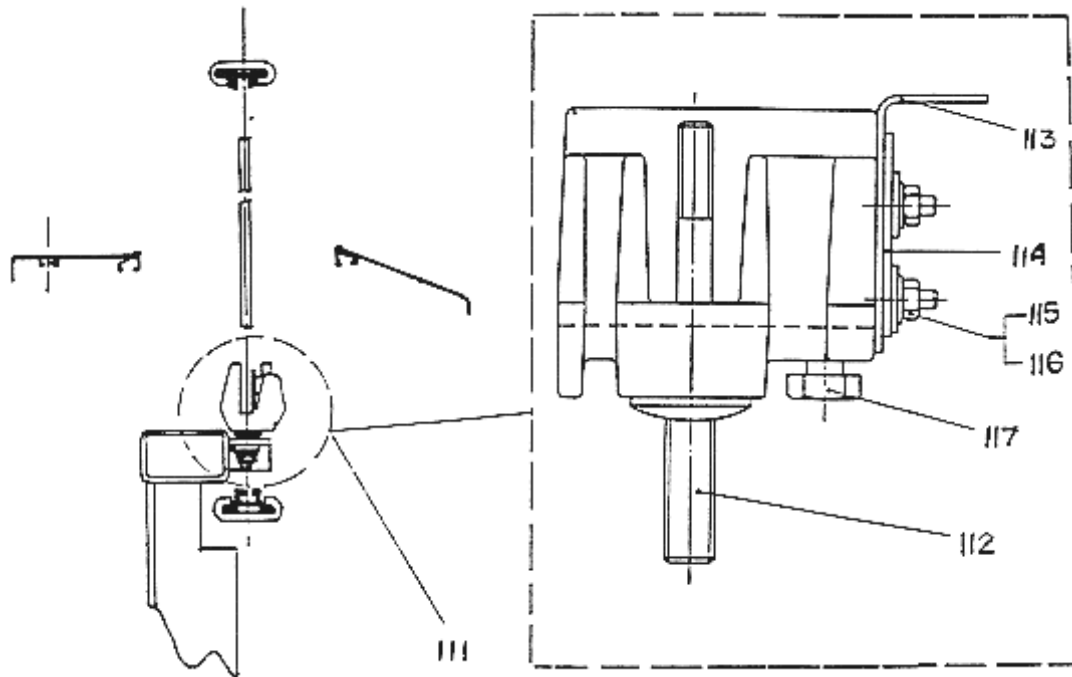
Page 28

REF. NUM.	DESCRIPTION		PART OR ML	
97	INTERNAL MOULDING UPPER LANDING LEFT SIDE	K2/30°	STAINLESS STEEL - SATIN	BAA402AL1
		K3/30°	STAINLESS STEEL - SATIN	BAA402AL5
		K2/30°	STAINLESS STEEL - MIRROR	BAA402AL9
		K3/30°	STAINLESS STEEL - MIRROR	BAA402AL13
		K2/30°	BRASS - SATIN	BAA402AL17
		K3/30°	BRASS - SATIN	BAA402AL21
		K2/30°	BRASS - MIRROR	BAA402AL25
		K3/30°	BRASS - MIRROR	BAA402AL29
		K2/30°	ALUMINUM	BAA402AL33
		K3/30°	ALUMINUM	BAA402AL37
98	INTERNAL MOULDING UPPER LANDING RIGHT SIDE	K2/30°	STAINLESS STEEL - SATIN	BAA402AL2
		K3/30°	STAINLESS STEEL - SATIN	BAA402AL6
		K2/30°	STAINLESS STEEL - MIRROR	BAA402AL10
		K3/30°	STAINLESS STEEL - MIRROR	BAA402AL12
		K2/30°	BRASS - SATIN	BAA402AL16
		K3/30°	BRASS - SATIN	BAA402AL20
		K2/30°	BRASS - MIRROR	BAA402AL24
		K3/30°	BRASS - MIRROR	BAA402AL28
		K2/30°	ALUMINUM	BAA402AL32
		K3/30°	ALUMINUM	BAA402AL36

**SPL 57-BAA26220AA - Escalator Balustrade 2-3 Flat Step UBSL Escalator**

Page 29

<b>REF. NUM.</b>	<b>DESCRIPTION</b>		<b>PART OR ML</b>
99	SPLICE PLATE	LOWER LANDING	BAA386FB1
100			BAA186FC1
101	SPLICE PLATE		BAA386FH1
102	SPLICE PLATE		BAA386FJ1
103		UPPER LANDING	BAA386FB2
104	BUTTON HEAD SCREW		BXG059AL503
105	CAGE NUT		AAA72GT
106	T HEAD SCREW		G059AH3
107	M6X30 HEX HD BOLT		40CH183050
108	M6 HEX NUT		43SD181400
109	FLAT WASHER		03PB181400
110	SPRING WASHER		03PG180800



REF. NUM.	DESCRIPTION	PART OR ML
111	GLASS HOLDER PREASSEMBLY	BAA336J
112	GLASS HOLDER	YXG0336AT1
113	ANGLE	YXG0283AKC1
114	STRIP	YYYG0298YH1
115	M6 HEX NUT	43SD182200
116	SPTING WASHER	03PG180800
117	NYLON BOLT	40SD290100